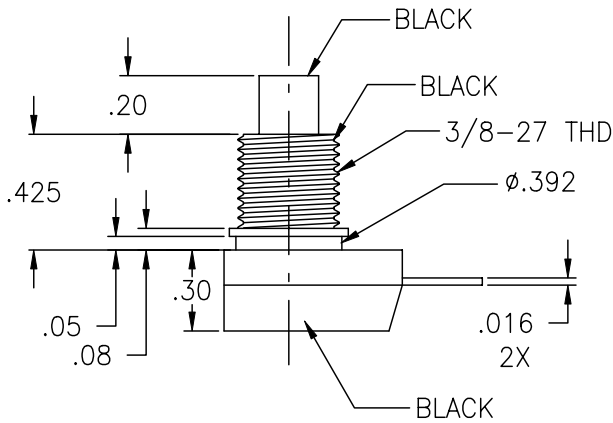
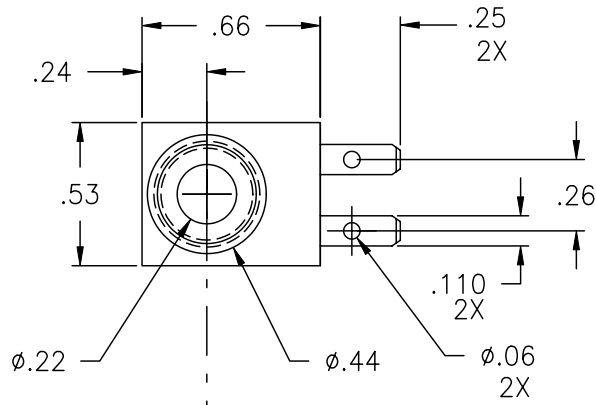



LTR	EN	DESCRIPTION	APPR	BY	DATE
A	-	INITIAL RELEASE	MT	DC	06-22-09



JUDCO INVENTORY NO. 40-2947-00
 SWITCH TYPE: PUSH ON-PUSH OFF, SPST
 UL ELECTRICAL RATING: 14VDC, 10A
 UL TEMPERATURE RATING: 55°C
 NUT NOT APPLICABLE

CUSTOMER:
 CUSTOMER P/N:
 APPROVED BY: _____
 DATE: _____

DIMENSIONS IN INCHES DIMENSIONS ARE REFERENCE		 HARBOR CITY CALIFORNIA	
		TITLE OUTLINE	
DRAWN: DC	06-22-09	J-188A-1 ULDC W/STR TRMS	
APPR: KJ	06-22-09	DWG. NO. 1415-1497	
ENG'G: IS	06-22-09	SHEET	
1415U1497A.DWG		1 OF 1	

This document embodies a product, component, and/or design proprietary to JUDCO MANUFACTURING INC., and which is protected either as a trade secret, by U.S. Patent, or by copyright. It may not be used in any way without written express consent of JUDCO MANUFACTURING INC.