

IF series

Sealed momentary pushbutton switches with Ø 25 (.984) actuator

- Can be operated with gloved hands
- Snap-in and threaded bushing models
- Resistant to frost
- Sealed to IP 67

ELECTRICAL AND GENERAL SPECIFICATIONS

- Max. current/voltage rating with resistive load :
400mA 32VAC - 100mA 50VDC
- Initial contact resistance : 50 mΩ max.
- Insulation resistance : 1 GΩ min. at 500VDC
- Dielectric strength : 1.000 VAC rms. between terminals and frame
1500 VAC between terminals
- Electrical life at full load : 500.000 cycles
- Panel thickness :
- Snap-in models : 0,8 mm (.031) min. - 2,5 mm (.098) max.
- Threaded bushing models : 0,8 mm (.031) min. - 5 mm (.196) max.
- Total travel : 4 mm (.157)
- Operating force : 6,5 N +/- 2N
- Mechanical life : 1.000.000 cycles
- Torque : 1,5 Nm max. applied to nut
- Soldering : 320°C max. for 3 seconds

MATERIALS

- Case : thermoplastic UL94-V0
- Actuator : polyamide 12, rubber filled
- Bushing/bezel : polyamide 6/6
- Contacts : solid silver, gold plated
- Terminal seal : epoxy

ENVIRONMENTAL SPECIFICATIONS

- Degree of protection (switches mounted on panel) :
. IP 67 (threaded bushing models)
. IP 54 (snap-in models)
- Operating temperature :
-20°C to +85°C


IF						
SERIES	Mounting	Electrical function	Terminals	Contacts	Actuator colour	Case colour
	B Snap-in S Threaded bushing	3 Normally open (NO)	Z1 Quick- connect or solder 2,8 x 0,5 mm	AD Solid silver, gold plated	1 Blue 5 Yellow 1/4 Dark blue 6 Red 2 Black 7/1 White 3 Green 9 Orange	00 Black 20 Red

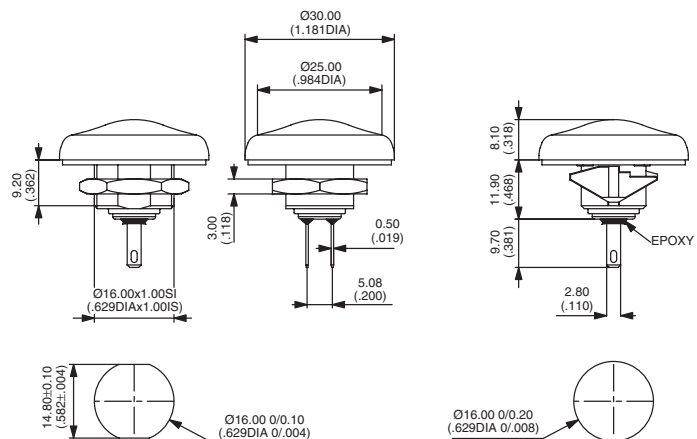
Models



Snap-in
IFB3Z1AD  NO



Threaded bushing
IFS3Z1AD  NO



Mounting accessories : Standard hardware supplied : 1 flat seal (IFB series)
1 flat seal and 1 hex nut 19 mm (.748) across flats (IFS series) . The hex nut is presented in section I (part number 10-621).



Packaging unit : 20 pieces

B