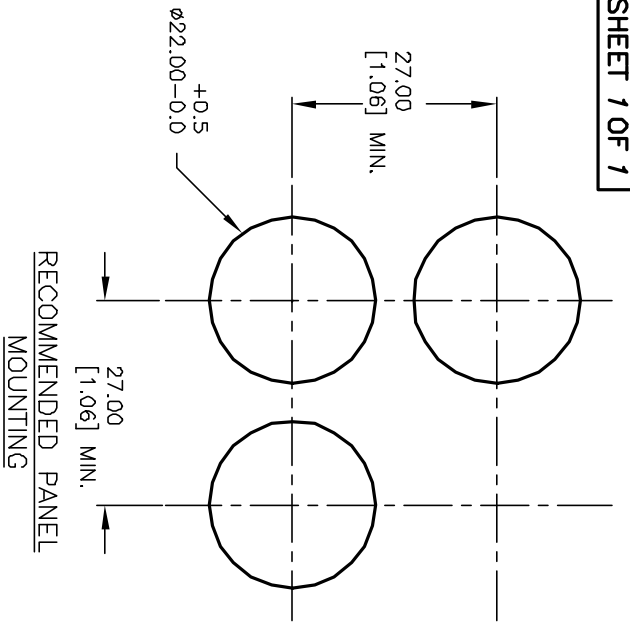


PARTS LIST		
Item	Qty.	Dwg. No. Part No.
1	1	F051702 25mm RING FOR LA SERIES
2	1	F060606 LASOAV110
3	1	F060255 25mm RED LENS (TRANSPARENT)
4	1	F050417 50-004-17 RED L.E.D.

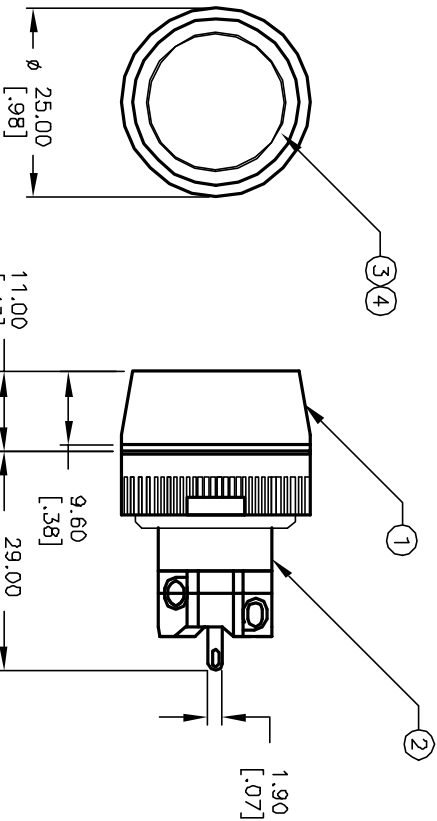


1 0 | 0 2
3 0 0 4
a-L-b (+)

SPST
CONTACT CONFIGURATION

NOTES:

1. ALL DIMENSIONS IN MM
2. GENERAL TOLERANCE: X, X = ±0.4
X.XX = ±0.25
3. RATINGS: 5A@250V AC,
BA@125V AC
4. CONTACT MATERIAL: COPPER ALLOY W/Gold Plating
5. TRAVEL: 3.0mm (Total) 2.0mm (Latch)
6. MECHANICAL LIFE: >100,000 Cycles
7. ELECTRICAL LIFE: >50,000 Cycles
8. INSULATION RESISTANCE: >1000 MΩ-0HMS
9. OPERATING TEMP: -20°C to 55°C
10. LAMP VOLTAGE: 6VDC (L.E.D.)
11. ▲ DENOTES CRITICAL PARAMETER.



TITLE

LASOAV11HREDRED

E-SWITCH®

A	13097	RELEASED FOR PRODUCTION	4/30/03	AR
REV.	ECN No.	DESCRIPTION	DATE	CHKD

SCALE	DATE	DR	DWG	REV
1:1	4/30/03	AR	XF0552P	A

THE INFORMATION CONTAINED IN THIS DOCUMENT IS PROPRIETARY TO E-SWITCH AND IS NOT TO BE COPIED OR TRANSFERRED