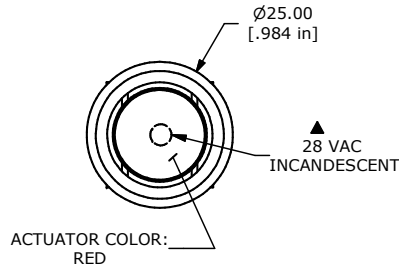
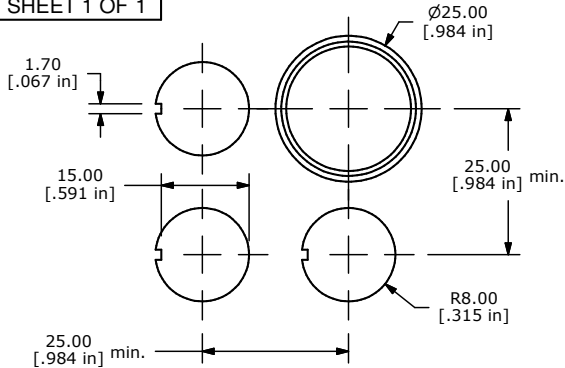
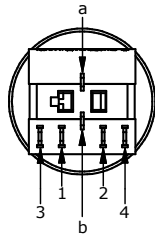
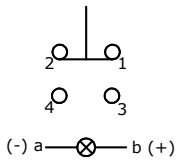


SHEET 1 OF 1

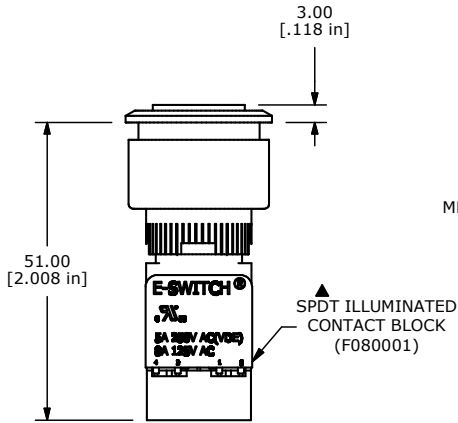


ISOMETRIC

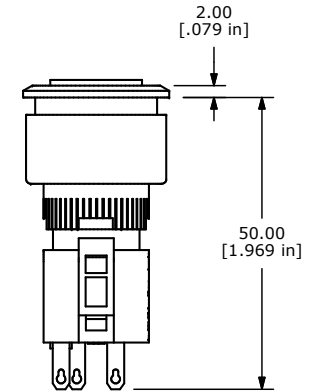


CIRCUIT: SPDT

- NOTE:
1. ALL DIMENSIONS IN MM [INCH]
  2. GENERAL TOLERANCE: X.X=±0.4  
X.XX=±0.25
  3. TERMINAL NUMBERS FOR REF ONLY
  4. RATING: UL: 5A @ 250VAC; 8A @ 125VAC
  5. INSULATION RESISTANCE: 50 MEGA-OHMS (INITIAL)
  6. ELECTRICAL LIFE: 30,000 MAKE-AND-BREAK CYCLES min.
  7. CONTACT MATERIAL: SILVER
  8. PANEL THICKNESS RANGE: 0.50 - 5.00 mm
  9. OPERATING TEMP.: -25°C to 55°C
  10. STORAGE TEMP.: -40°C to 70°C
  11. ▲ DENOTES CRITICAL PARAMETER.
  12. 2002/95/EC (ROHS) COMPLIANT
  13. PACKAGING: SHIPPED SEPARATELY IN BULK
  14. LAMP: 28VAC INCANDESCENT
  15. DEGREE OF PROTECTION: IP65



MDP16OAR33R  
(F083111)



SOCKET PROTECTOR  
REMOVED (FOR  
CLARIFICATION)

TITLE				MDP16OAR3103R	
A	18776	RELEASED FOR PRODUCTION	2/11/10	BLR	
REV	PCR NO	DESCRIPTION	DATE	BY	
THE INFORMATION CONTAINED IN THIS DOCUMENT IS PROPRIETARY TO E-SWITCH AND IS NOT TO BE COPIED OR TRANSFERRED					
SCALE		DATE		DR	DWG
1.25 : 1		2/11/2010		BLR	XF0812P
				REV	A