

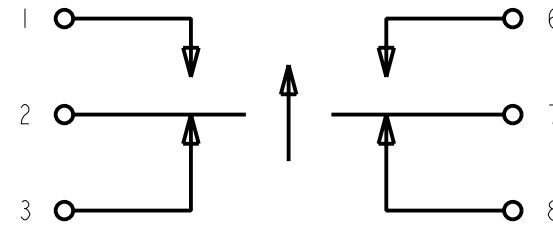
NOTES:

- CONTACT ARRANGEMENT TERMINALS 1,2,3,6,7,8.
- CONTACT RATING 0.25 AMP, 30 WATTS MAX., AC, NON - INDUCTIVE LOAD.
- DIELECTRIC STRENGTH - 500 VOLTS, RMS. MIN.
- SWITCH MOUNTS IN PANELS 0.047 TO 0.281 THICK.
- SWITCH MOUNTS ON 0.687 CENTERS IN EITHER OF TWO DIRECTIONS.

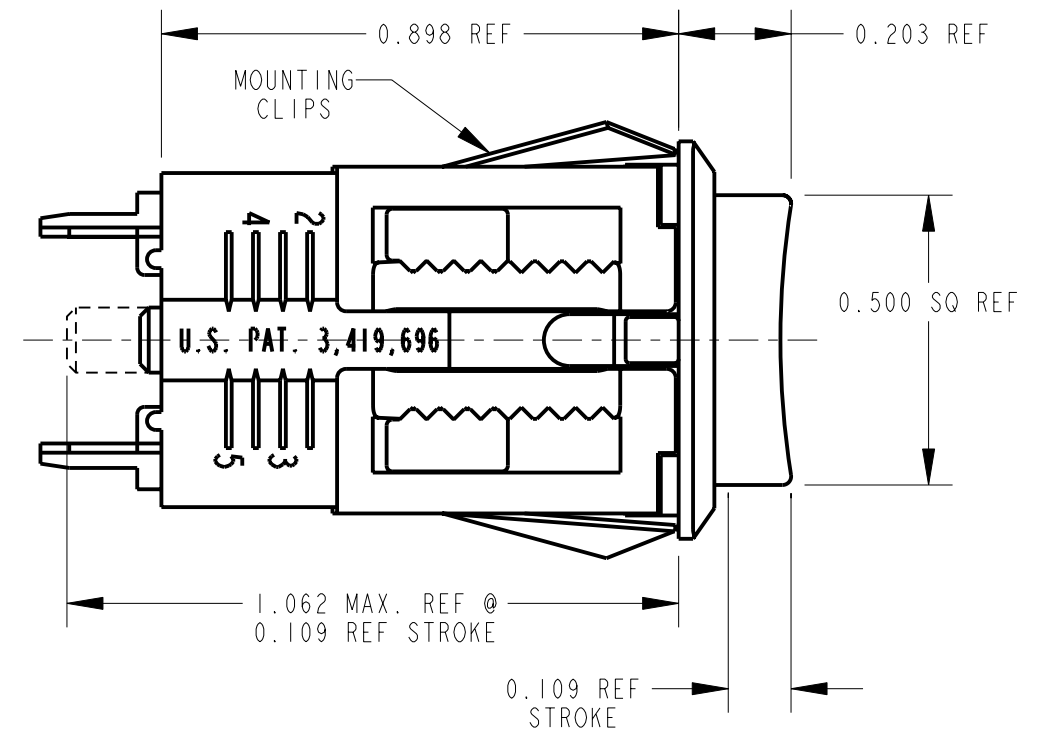
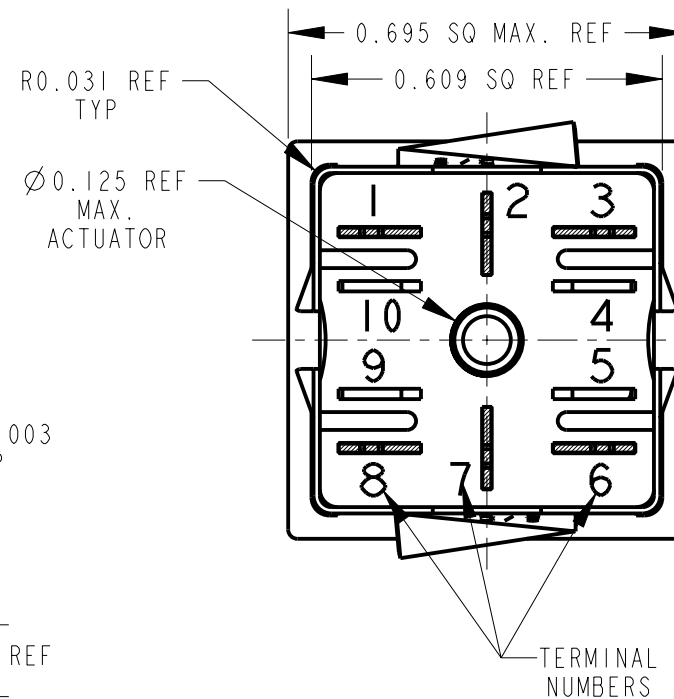
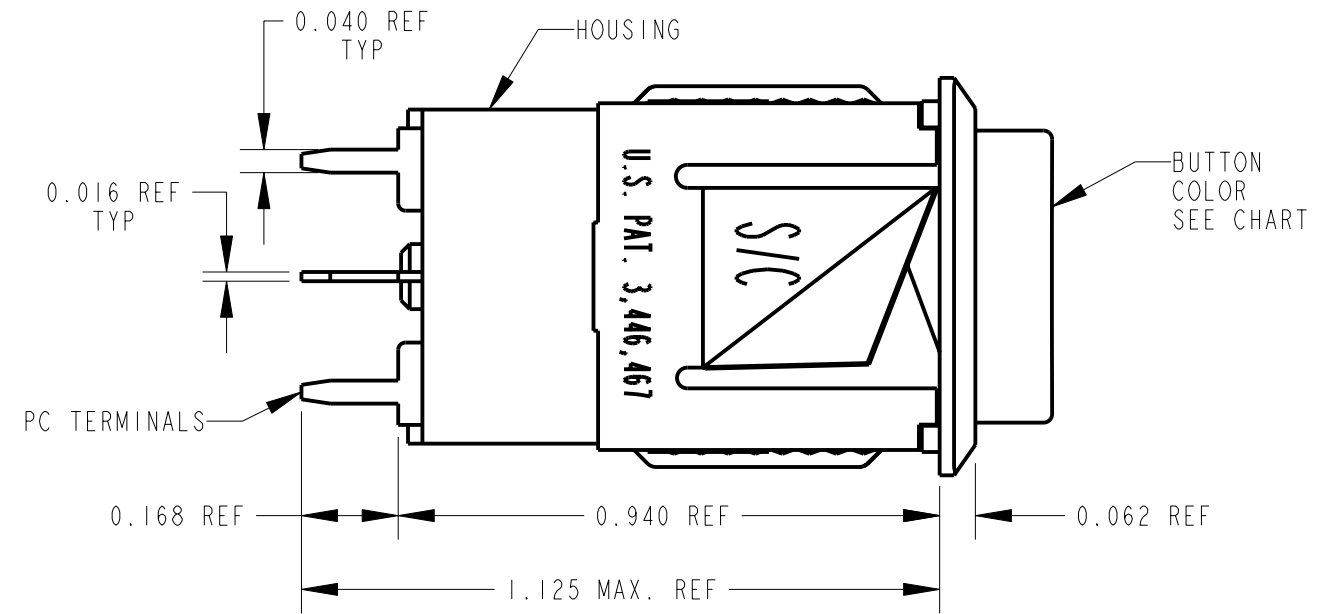
MATERIALS:

- HOUSING: MOLDED PLASTIC, CHARCOAL GRAY
- BUTTON: MOLDED PLASTIC, COLOR (SEE CHART)
- MOUNTING CLIP: COPPER ALLOY
- CONTACT SPRINGS: INTEGRAL, COPPER ALLOY, SILVER PLATED
- TERMINALS: COPPER ALLOY, SILVER PLATED
- ACTUATOR: MOLDED PLASTIC, BEIGE
- SPRING: MUSIC WIRE, TINNED
- RETAINER PLATE: PAPER EPOXY LAMINATE

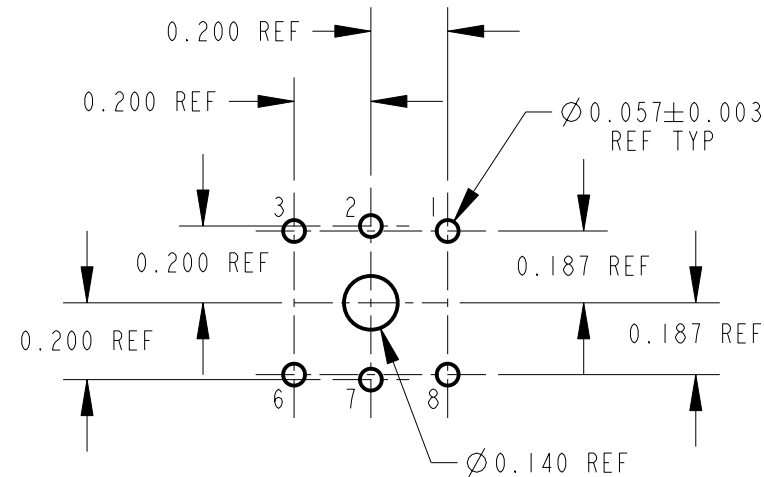
PART NUMBER	PART REV.	BUTTON COLOR
BXR016PC	C	RED
BXR026PC	C	BLACK
BXR036PC	A	GREEN
BXR056PC	D	WHITE



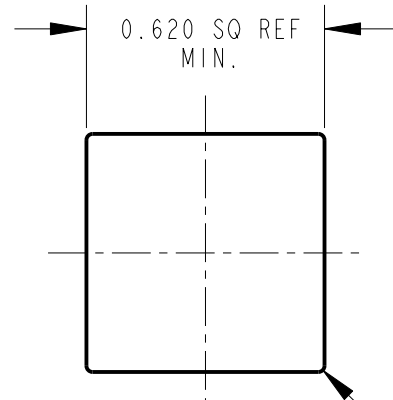
SCHEMATIC
2-C



CUSTOMER DRAWING



PC BOARD LAYOUT
COMPONENT SIDE
SCALE: 2=1



PANEL CUTOUT
SCALE: 2=1

REV	ECO NUMBER	DATE	BY	APVD
B	24652	3-11-04	JL	RB
A	22495	3-29-01	DA	RB

REVISIONS

★ STAR SYMBOL DENOTES CRITICAL DIMENSION

UNLESS OTHERWISE SPECIFIED

- ALL DIMENSIONS IN INCHES
- TWO PLACE DECIMALS ±0.01
- THREE PLACE DECIMALS ±0.005
- ANGLES ±1°
- ALL DIA. CONCENTRIC WITHIN 0.005 T.I.R.
- FEATURES ON THE SAME CENTERLINE MUST BE ALIGNED WITHIN ±0.002
- REMOVE ALL BURRS

DO NOT SCALE DRAWING

THIS DRAWING DESCRIBES A DESIGN CONSIDERED PROPRIETARY IN NATURE, DEVELOPED AND MANUFACTURED BY SWITCHCRAFT INC. AND IS RELEASED ON A CONFIDENTIAL BASIS FOR IDENTIFICATION PURPOSES ONLY.				
SIZE	WIDTH	MULT	LBS/M	TEMPER
FINISH		MATERIAL		
SPEC No.		SPEC No.		
FIRST USED ON		SCALE		
		3:1		
DATE DRAWN	BY	CHKD	APVD	
3-30-01	DA	RB	RB	
		4-6-01	4-6-01	
NAME			PART No.	REV
BOX SWITCH, MOMENTARY PC TERMINALS			BXR0_6PC_SERIES	B

Switchcraft

SHEET | OF |