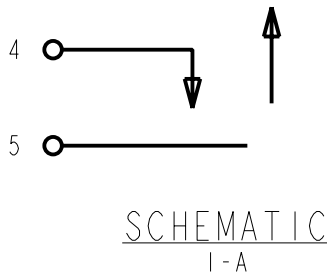


NOTES:

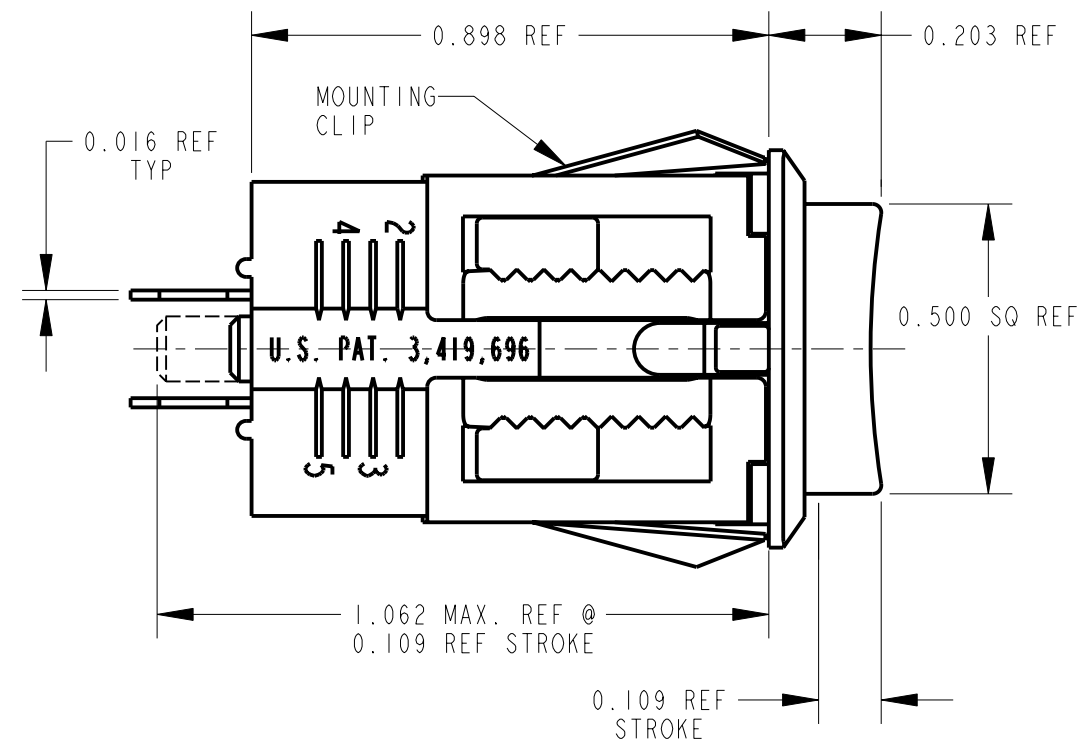
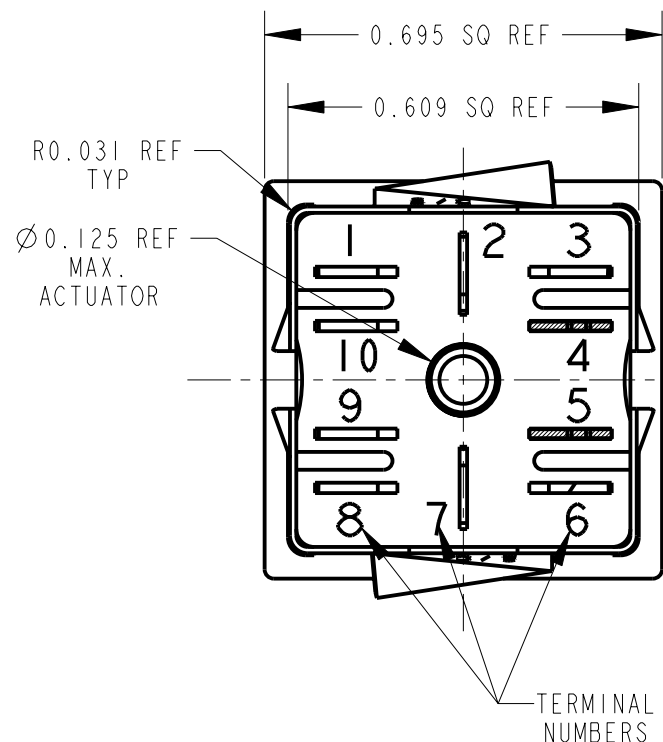
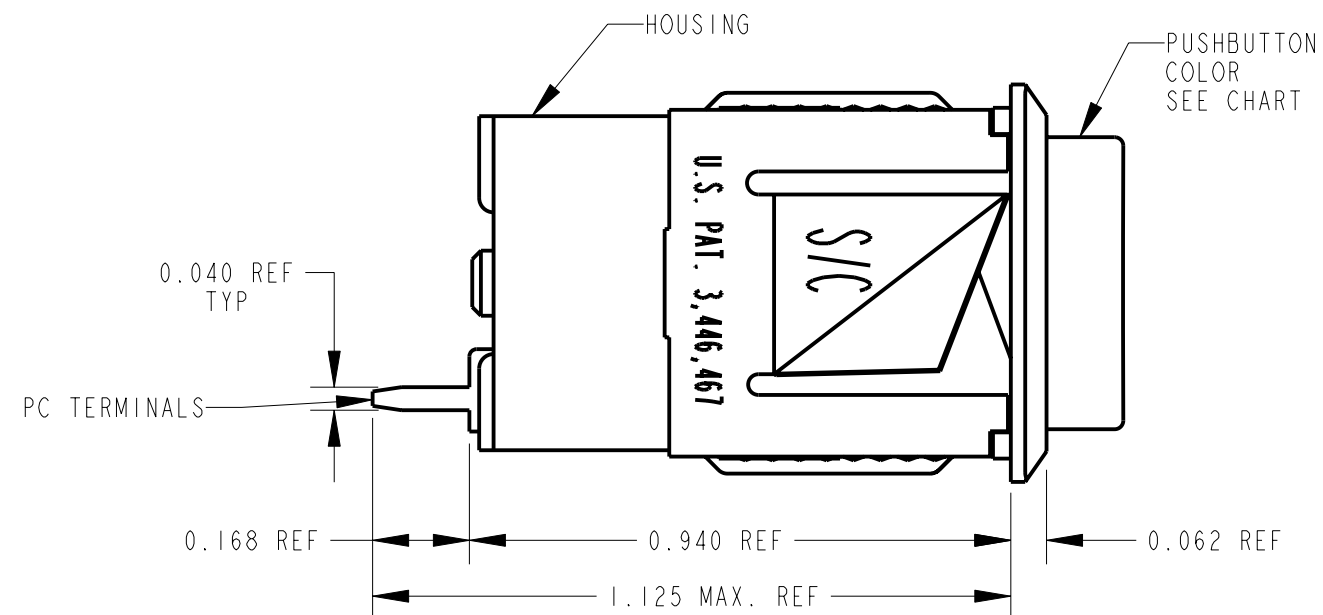
- CONTACT ARRANGEMENT TERMINALS 4,5.
- CONTACT RATING 0.25 AMP, 30 WATTS MAX., AC, NON - INDUCTIVE LOAD.
- DIELECTRIC STRENGTH - 500 VOLTS, RMS. MIN.
- SWITCH MOUNTS IN PANELS 0.047 TO 0.281 THICK.
- SWITCH MOUNTS ON 0.687 CENTERS IN EITHER OF TWO DIRECTIONS.

MATERIALS:

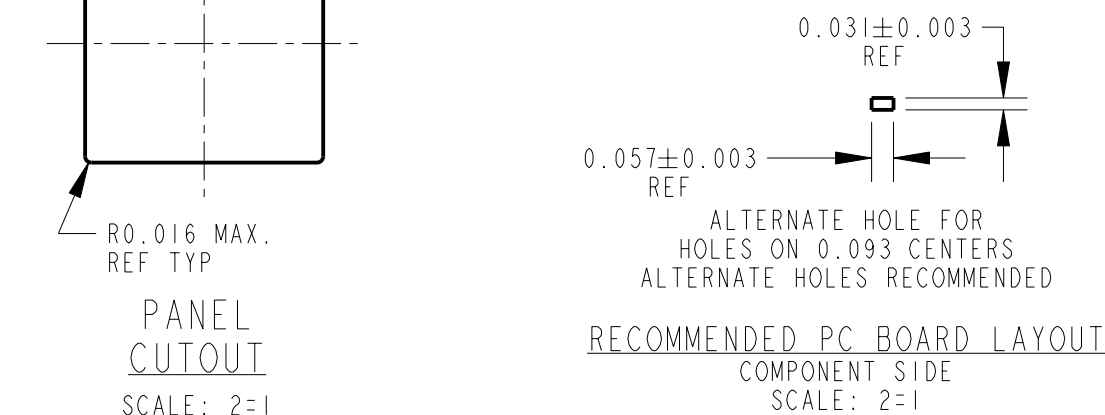
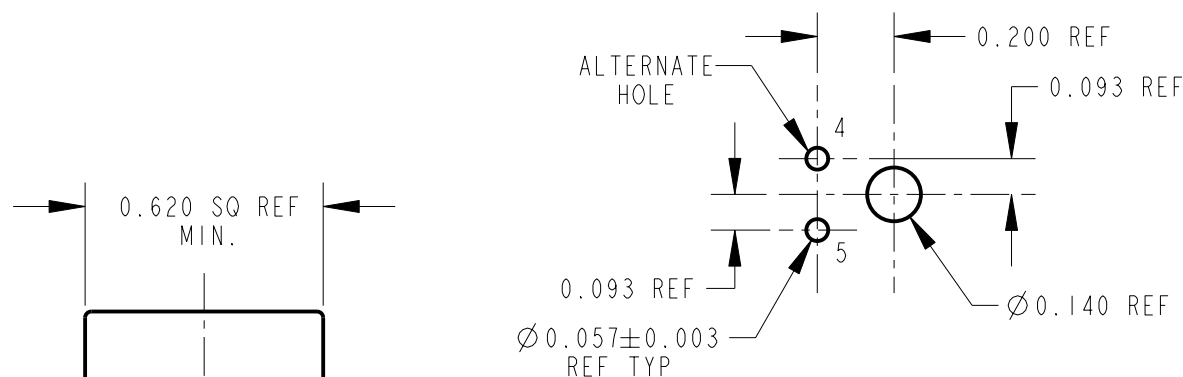
- HOUSING: MOLDED PLASTIC, CHARCOAL GRAY
- BUTTON: MOLDED PLASTIC, (SEE CHART).
- MOUNTING CLIPS: COPPER ALLOY
- CONTACT SPRINGS: INTEGRAL, COPPER ALLOY, SILVER PLATED
- TERMINALS: COPPER ALLOY, SILVER PLATED
- ACTUATOR: MOLDED PLASTIC, BEIGE
- SPRING: MUSIC WIRE, TINNED
- RETAINER PLATE: PAPER EPOXY LAMINATE



PART NUMBER	PART REV.	BUTTON COLOR
BXR05IPC	C	WHITE



CUSTOMER DRAWING



PANEL CUTOUT
SCALE: 2=1

REV	ECO NUMBER	DATE	BY	APVD
A	22616	4-2-01	DA	RB
REVISIONS				

★ STAR SYMBOL DENOTES CRITICAL DIMENSION

UNLESS OTHERWISE SPECIFIED

- ALL DIMENSIONS IN INCHES
- TWO PLACE DECIMALS ±0.01
- THREE PLACE DECIMALS ±0.005
- ANGLES ±1°
- ALL DIA. CONCENTRIC WITHIN 0.005 T.I.R.
- FEATURES ON THE SAME CENTERLINE MUST BE ALIGNED WITHIN ±0.002
- REMOVE ALL BURRS

DO NOT SCALE DRAWING

THIS DRAWING DESCRIBES A DESIGN CONSIDERED PROPRIETARY IN NATURE, DEVELOPED AND MANUFACTURED BY SWITCHCRAFT INC. AND IS RELEASED ON A CONFIDENTIAL BASIS FOR IDENTIFICATION PURPOSES ONLY.

SIZE	WIDTH	MULT	LBS/M	TEMPER
FINISH		MATERIAL		
SPEC No.		SPEC No.		
FIRST USED ON		SCALE 3:1		
DATE DRAWN	BY	CHKD	APVD	
30-Mar-01	DA	RB	RB	
		4-6-01	4-6-01	
NAME		PART No.		REV
BXR SWITCH, MOMENTARY PC TERMINALS		BXR0_IPC_SERIES		A

Switchcraft®

SHEET 1 OF 1