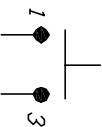


RECOMMENDED PCB LAYOUT

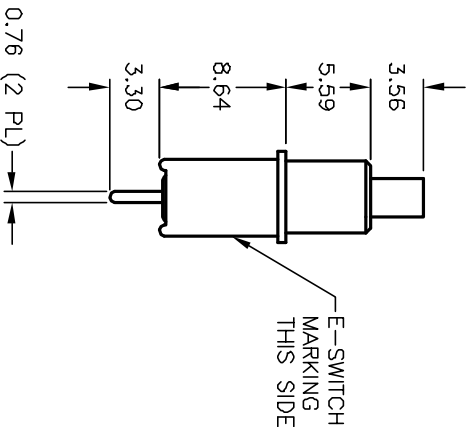
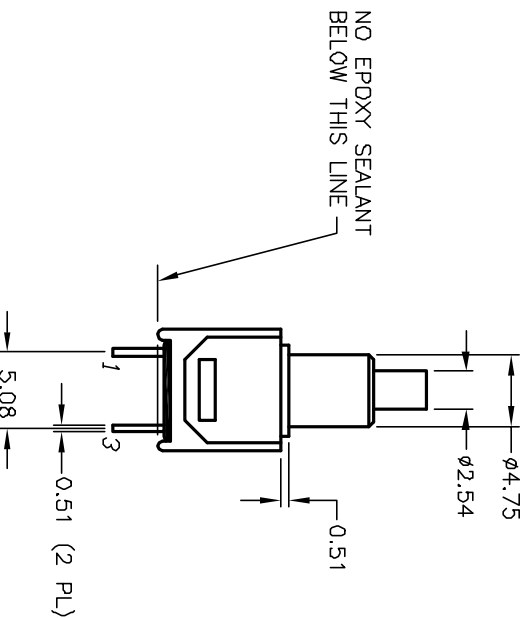


CIRCUIT: SPST



() = MOMENTARY

CONTACT CONFIGURATION



NOTES:

1. ALL DIMENSIONS IN MM
2. GENERAL TOLERANCE: 0.0±0.4
0.00±0.25
3. TERM. NOS. FOR REF. ONLY
4. RATING: 3A @120VAC or 28VDC; 1A @250VAC
5. ELECTRICAL LIFE: 60,000 make-and-break cycles at full load.
6. INSULATION RESISTANCE: 1,000 Mega-ohm min.
7. DIELECTRIC STRENGTH: 1,000V RMS @sea level
8. OPERATING TEMP.: -30°C to 85°C

E-SWITCH®

800 SP9 B7 M2 Q E

REV.	10679	RELEASED FOR PRODUCTION	6/14/00	GLG
ECN NO.		DESCRIPTION	DATE	CHKD
THE INFORMATION CONTAINED IN THIS DOCUMENT IS PROPRIETARY TO E-SWITCH AND IS NOT TO BE COPIED OR TRANSMITTED				

TITLE	SCALE	DATE	DR	DWG	REV
800 SP9 B7 M2 Q E	2:1	6/14/00	GLG	T811036	A