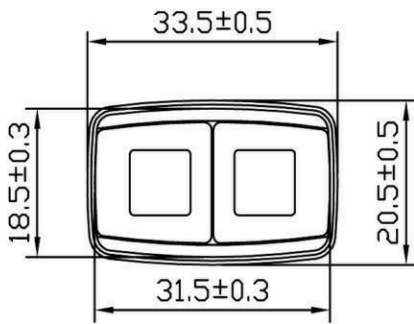
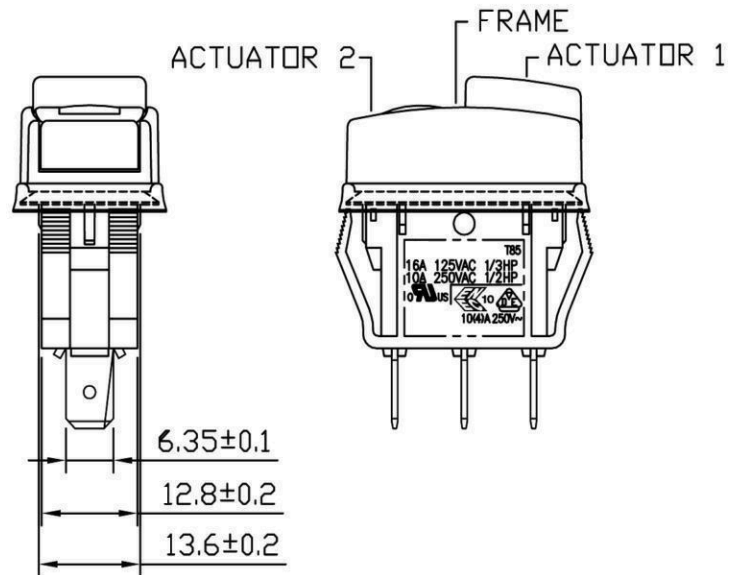
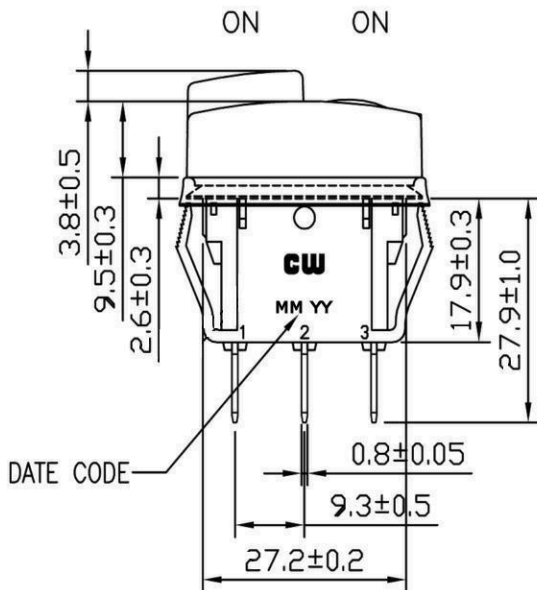


THIS INFORMATION IS CONFIDENTIAL AND PROPRIETARY TO CW INDUSTRIES INCORPORATED AND ITS AFFILIATES. IT MAY NOT BE DISCLOSED TO ANYONE, OTHER THAN CW INDUSTRIES PERSONNEL, WITHOUT WRITTEN AUTHORIZATION FROM CW INDUSTRIES INCORPORATED, SOUTHAMPTON, PENNSYLVANIA USA.

<b>Rating</b>	16A 125VAC 1/3HP 10A 250VAC 1/2HP	<b>Mounting Hole</b>	<b>Circuit Diagram</b>	
	10(4) 250V~			
<b>Contact Resistance</b>	50m ohm Max.			
<b>Insulation Resistance</b>	DC 500V 100M ohm Min.			
<b>Dielectric Strength</b>	AC 1500V 1 minute			
<b>Switch Function</b>	3P SPDT ON-ON			
		Thickness	X	Y
		0.75...3	27.6-0.1	13.8+0.1
		3...4	27.8-0.1	13.8+0.1
		4...5	28.0-0.1	13.8+0.1



Material:  
 Frame: Black, Nylon# 66  
 Actuator 1: Green, Nylon# 66  
 Actuator 2: Red, Nylon# 66  
 Printed: None  
 Waterproof: IP56



RoHS Compliant

**CW INDUSTRIES**  
 Southampton, Pa. 18966  
 Tel 215.355.7080/www.cwind.com

Date Drawn: 5/19/10

Rev. 0

Unit: mm

Checked By: EJP

Title:  
**PUSH BUTTON SWITCH**

CW P/N:  
**GPB526C01BGR**