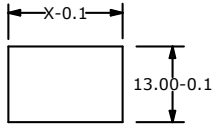
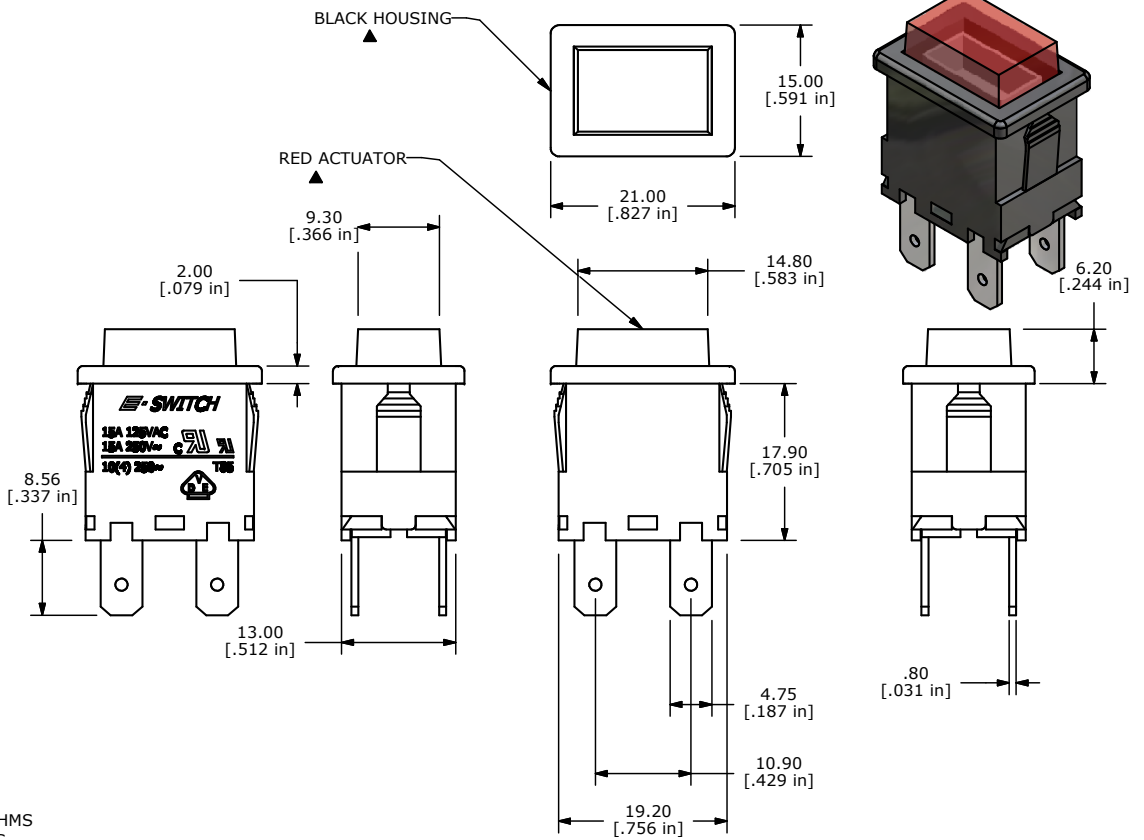
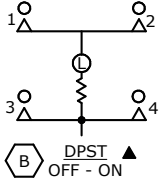


SHEET 1 OF 1



RECOMMENDED PANEL MOUNTING

PANEL THICKNESS	X
0.75-1.25	19.2
1.25-2.00	19.4
2.00-3.00	19.6



- NOTES:
1. ALL DIMENSIONS IN MM [INCH]
  2. GENERAL TOLERANCE: X.X±0.4  
X.XX±0.25
  3. MECHANICAL LIFE: 30,000
  4. ELECTRICAL LIFE: 10,000
  5. CONTACT RESISTANCE: 20 mILLI OHMS
  6. INSULATION RESISTANCE: 1000 MEGA OHMS
  7. OPERATING TEMPERATURE: -10°C TO 55°C
  8. CONTACT RATING: 15A-250 VAC, 125VAC UL APPROVED  
10A 250VAC, VDE APPROVED
  9. DIELECTRIC STRENGTH: 1500V FOR 1 MIN
  10. LAMP: NEON, 125VAC
  11. ▲ DENOTES CRITICAL PARAMETER
  12. OPERATING FORCE: 1000±100grams



TITLE PB1973GBLKRILEF1

C	17722	ADDED NOTE # 12	9/27/07	BF
REV	PCR NO	DESCRIPTION	DATE	BY

THE INFORMATION CONTAINED IN THIS DOCUMENT IS PROPRIETARY TO E-SWITCH AND IS NOT TO BE COPIED OR TRANSFERRED

SCALE	DATE	DR	DWG	REV
1.5	9/27/2007	BF	M197303	C