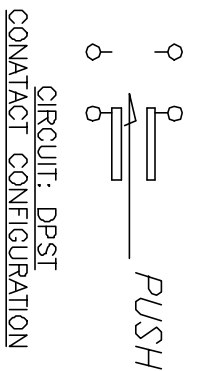
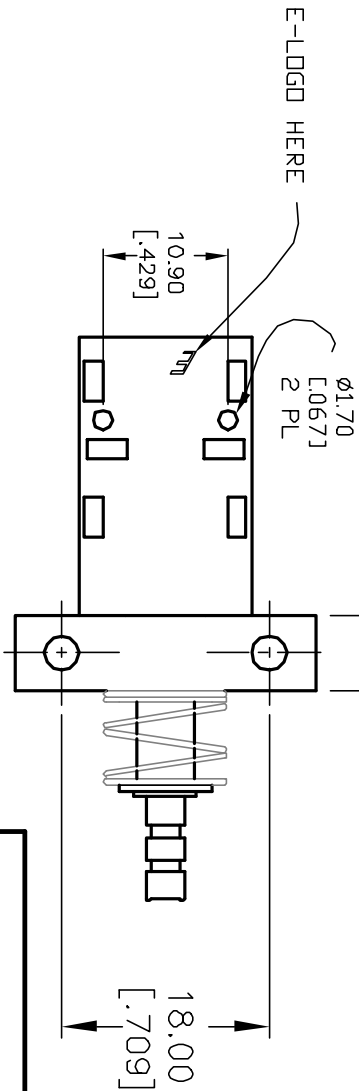
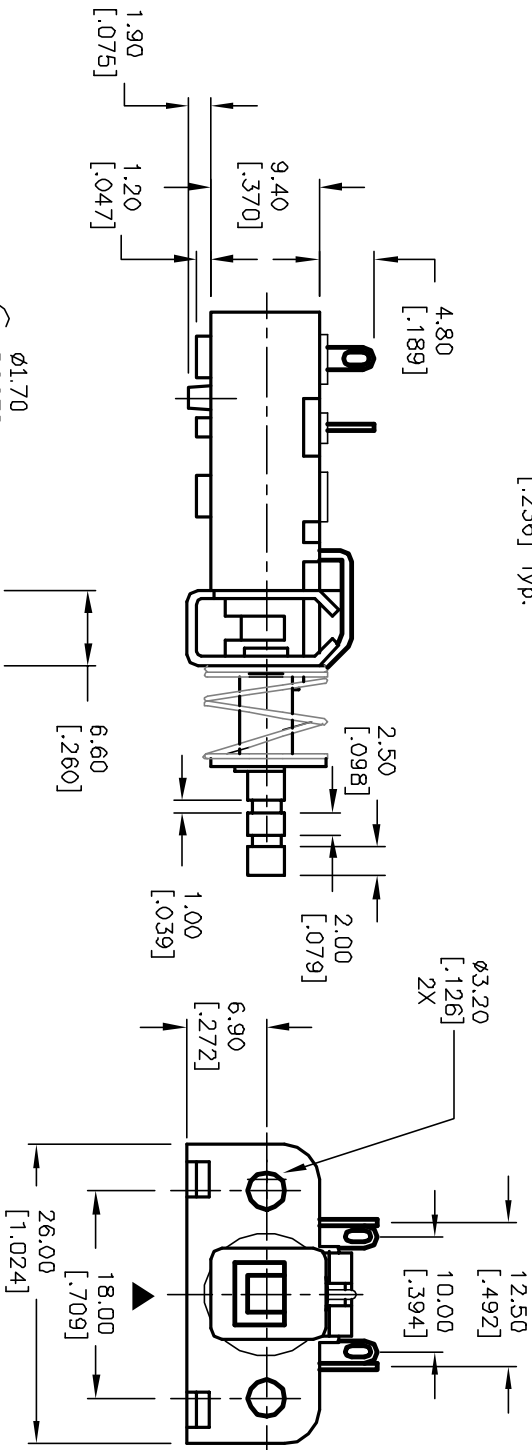


- NOTES:
1. ALL DIMENSIONS IN MM [INCH]
  2. GENERAL TOLERANCE: X.X=±0.4  
X.XX=±0.25
  3. TERM. NOS. FOR REFERENCE ONLY.
  4. RATING: 7A@125V, 4A@250VULCUL, & VDE APPROVED
  5. CONTACT MATERIAL:  
Terminals, Copper Alloy w/Silver plate.  
Contacts, Copper Alloy w/Tin Oxide
  6. CONTACT RESISTANCE: 100milli-ohms TYP. MAX Initial
  7. DIELECTRIC STRENGTH: 1500V for 1min  
3000V between poles
  8. ELECTRICAL LIFE: 6,000 Cycles
  9. OPERATING FORCE: 550±150gf TYP.
  10. TRAVEL: FULL:5.5, LOCK:4.0



**E-SWITCH®**

|  |         |                         |         |      |                |       |         |         |
|--|---------|-------------------------|---------|------|----------------|-------|---------|---------|
| B  |         |                         |         | CB   | TITLE          |       |         |         |
| A  | 12306   | RELEASED FOR PRODUCTION | 7/15/02 | CJC  | P227 EE 1A 18B | SCALE | DATE    | DR      |
| REV.   | ECN No. | DESCRIPTION             | DATE    | CHKD |                | 1.5:1 | 7/16/02 | CB      |
| THE INFORMATION CONTAINED IN THIS DOCUMENT IS PROPRIETARY TO E-SWITCH AND IS NOT TO BE COPIED OR TRANSFERRED |         |                         |         |      |                |       |         | DWG     |
|  |         |                         |         |      |                |       |         | P030121 |
|  |         |                         |         |      |                |       |         | REV     |
|  |         |                         |         |      |                |       |         | A       |