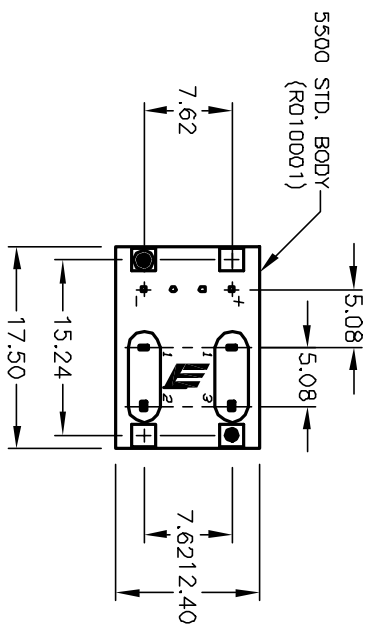
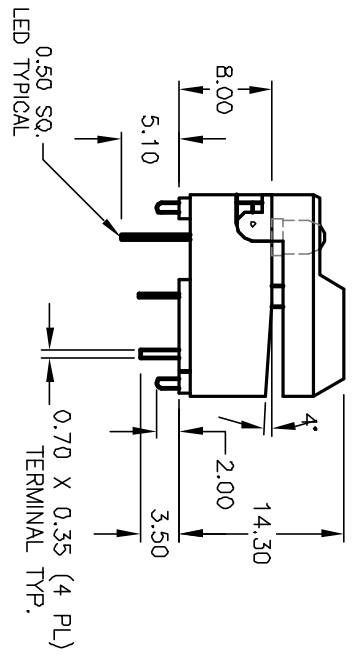
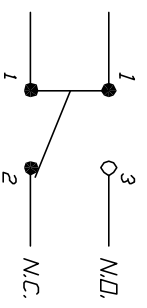


RECOMMENDED P.C.B. LAYOUT



| LED SPECIFICATION | SYMBOL | RED L.E.D | | UNITS |
|----------------------|-----------------|-----------|-----|-------|
| | | MAX | MIN | |
| POWER DISSIPATION | P _d | 80 | -- | mW |
| FORWARD VOLTAGE | V _F | 2.8 | 1.9 | V |
| REVERSE VOLTAGE | V _R | 5 | -- | V |
| EMISSION WAVELENGTH | λ _p | 30 | -- | nm |
| AVE. FORWARD CURRENT | I _{AF} | 30 | -- | mA |
| LUMINOUS INTENSITY | I _v | 0.7 | -- | mcld |



CIRCUIT: SPDT CONTACT CONFIGURATION

NOTES:

1. ALL DIMENSIONS IN MM
2. GENERAL TOLERANCE: X.X=±0.4 X.XX=±0.25
3. TERM. NO. FOR REF. ONLY
4. RATING: 12mA @24V
5. FIXED CONTACT/MOVING CONTACT: COPPER ALLOY W/GOLD PLATE
6. CONTACT BOUNCE: <5m SEC.
7. CONTACT RESISTANCE: <50milli-ohms
8. TRAVEL: 2.5±0.2mm

E-SWITCH®

| | | | | |
|------|---------|-------------------------|---------|------|
| REV. | ECN No. | DESCRIPTION | DATE | CHKD |
| A | 12151 | RELEASED FOR PRODUCTION | 5/14/02 | CJB |

| | | | | | |
|------------|-------|---------|-----|---------|-----|
| TITLE | SCALE | DATE | DR | DWG | REV |
| 5501-M-6-1 | 1.5:1 | 5/14/02 | CJB | XR0220P | A |

THE INFORMATION CONTAINED IN THIS DOCUMENT IS PROPRIETARY TO E-SWITCH AND IS NOT TO BE COPIED OR TRANSFERRED