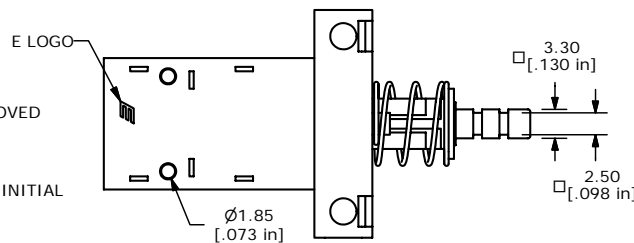
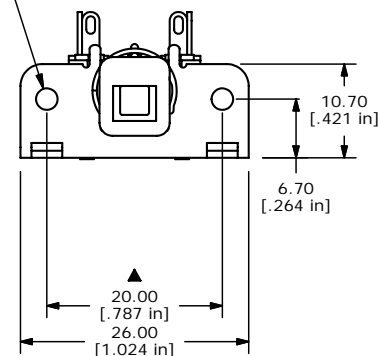


M3x0.5
2 PLACES



- NOTE:
1. ALL DIMENSIONS IN MM [INCH]
 2. GENERAL TOLERANCE: X.X=±0.4
X.XX=±0.25
 3. TERM. NOS. FOR REFERENCE ONLY.
 - ▲4. RATING: 7A@125V, 4A@250 UL, CUL, & VDE APPROVED
 5. CONTACT MATERIAL:
TERMINALS, COPPER ALLOY SILVER PLATE.
CONTACTS, COPPER ALLOY W/TIN OXIDE
 6. CONTACT RESISTANCE: 100MILLI-OHMS TYP. MAX INITIAL
 7. DIELECTRIC STRENGTH: 1000V for 1min
 8. ELECTRICAL LIFE: 6,000 CYCLES
 9. OPERATING FORCE: 550±150gf TYP.
 10. TRAVEL: FULL: 4.0, LOCK: 2.5
 11. ▲DENOTES CRITICAL PARAMETER
 12. 2002/95/EC (ROHS) COMPLIANT

E-SWITCH®

B	17072	FIXED TERMINALS	3/7/07	TN
A	14856	RELEASED FOR PRODUCTION	4/18/05	JB
REV	PCR NO	DESCRIPTION	DATE	BY

TITLE P227EE2B20B				
SCALE 1.5	DATE 3/7/2007	DR TN	DWG P030130	REV B

THE INFORMATION CONTAINED IN THIS DOCUMENT IS PROPRIETARY TO E-SWITCH AND IS NOT TO BE COPIED OR TRANSFERRED