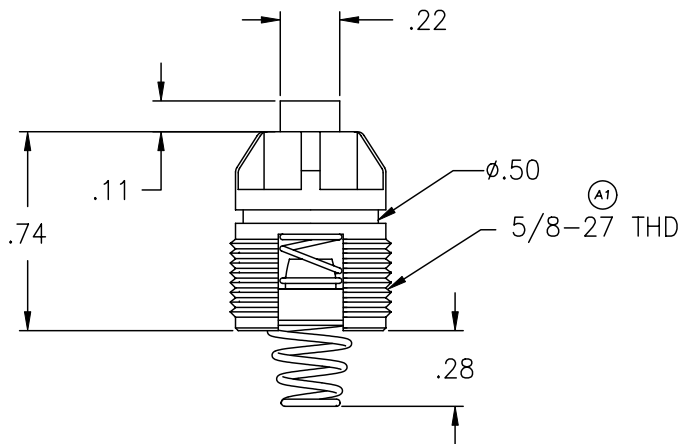
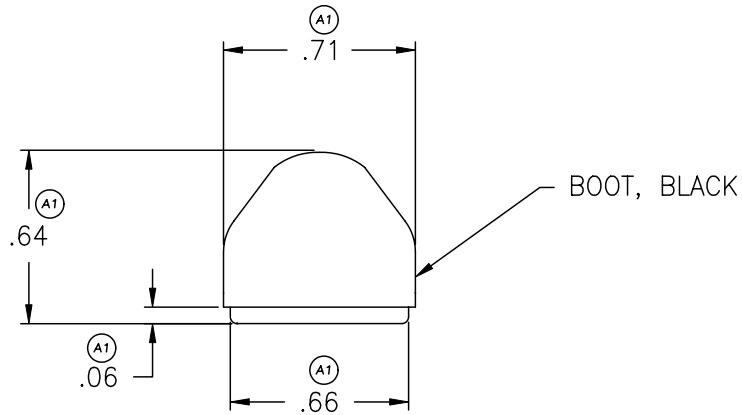



LTR	EN	DESCRIPTION	APPR	BY	DATE
A	-	INITIAL RELEASE	MT	EM	1-23-09
A1	-	ADDED BOOT DIM'S & THREAD SPEC FOR BODY	MT	EM	2-04-09



JUDCO INVENTORY NO. 40-4747-00
 SWITCH TYPE: PUSH ON - PUSH OFF
 BOOT INCLUDED

CUSTOMER:
 CUSTOMER PN:
 APPROVED BY: _____
 DATE: _____

DIMENSIONS IN INCHES DIMENSIONS ARE REFERENCE		 HARBOR CITY CALIFORNIA	
DRAWN: EM	01-22-09	TITLE OUTLINE	
APPR: KJ	01-22-09	J-1052 WITH BOOT	
ENG'G: IS	01-22-09	DWG. NO.	1415-1458
1415U1458A1.DWG		SHEET	1 OF 1

This document embodies a product, component, and/or design proprietary to JUDCO MANUFACTURING INC., and which is protected either as a trade secret, by U.S. Patent, or by copyright. It may not be used in any way without written express consent of JUDCO MANUFACTURING INC.