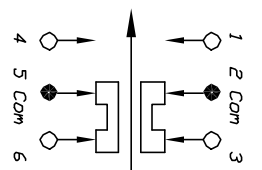
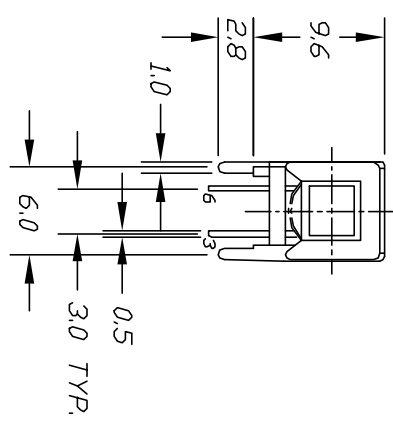
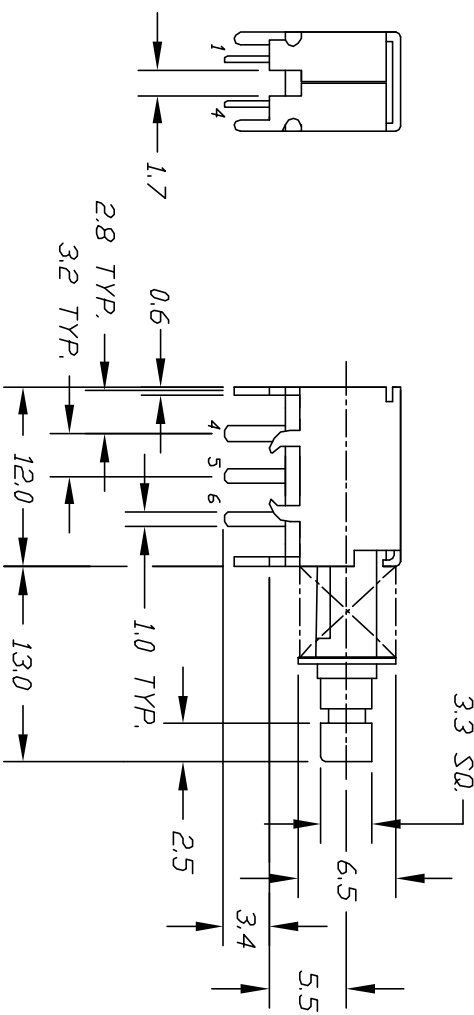


RECOMMEND P.C.B. HOLES



CIRCUIT: DPDT

CONTACT CONFIGURATION

NOTES:

1. ALL DIMENSIONS IN MM
2. TERM. NOS. FOR REF ONLY
3. RATING: DC 30V, 0.3A
4. OPERATING FORCE: 330±150gf
5. TRAVEL: FULL 3.5mm; LOCK 2.5mm

REVISED & REDRAWN		7/14/97		CHKD	
TOLERANCES					
		±0.4			
		±0.25			
TITLE					
LC 2255 EE N P					
E-SWITCH®		SCALE		DATE	
		2:1		12/6/96	
		DR		MM	
		DWG		P070180	
REV.		DATE		REV	
B				B	

THE INFORMATION CONTAINED IN THIS DOCUMENT IS PROPRIETARY TO E-SWITCH AND IS NOT TO BE COPIED OR TRANSMITTED