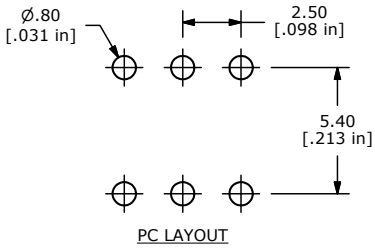
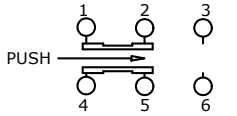


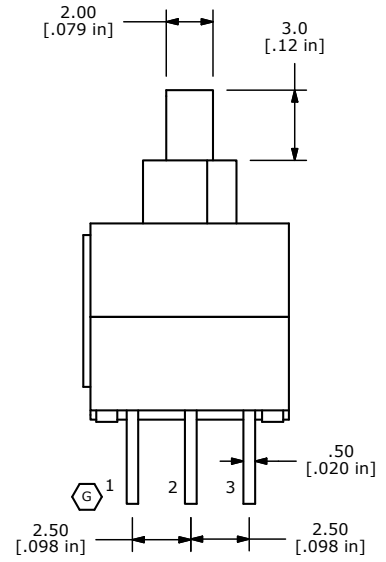
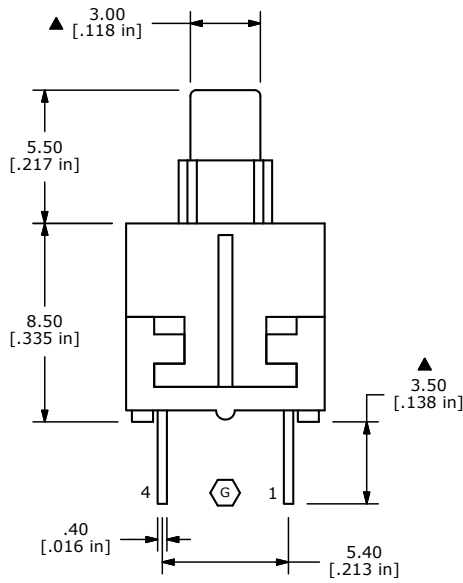
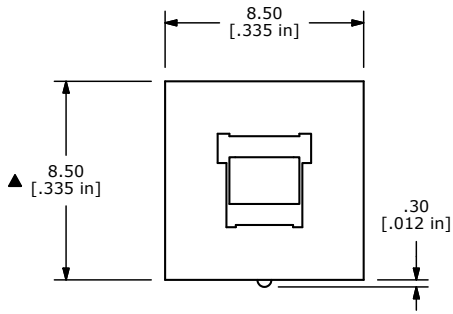
SHEET 1 OF 1



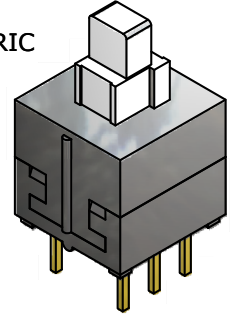
SWITCH FUNCTION	
POS. 1	POS. 2
ON	ON
2-1, 5-4	2-3, 5-6



- NOTES:
1. ALL DIMENSIONS IN MM [INCH]
  2. GENERAL TOLERANCE: X.X=±0.4  
X.XX=±0.25
  3. TERMINAL NUMBERS FOR REF. ONLY
  4. RATING: 0.1A @ 30VDC
  5. TRAVEL: FULL = 2.5, LOCK = 1.5
  6. OPERATING FORCE: 220±50gf
  7. ELECTRICAL LIFE: 10,000 CYCLES
  8. ▲ DENOTES CRITICAL PARAMETER
  9. CONTACT MATERIAL: SILVER
  10. 2002/95/EC (RoHS) COMPLIANT



ISOMETRIC



G	19364	CORRECT TERMINAL NUMBERS	10/19/10	BMA
F	18022	Redrawn and chg force from 180 to 220	3/17/08	rc
REV	PCR NO	DESCRIPTION	DATE	BY

THE INFORMATION CONTAINED IN THIS DOCUMENT IS PROPRIETARY TO E-SWITCH AND IS NOT TO BE COPIED OR TRANSFERRED

TITLE TL2201EEXA			
SCALE	DATE	DR	DWG
2:1	3/17/2008	BLR	P010350
			REV
			G