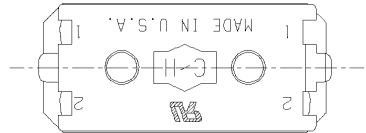
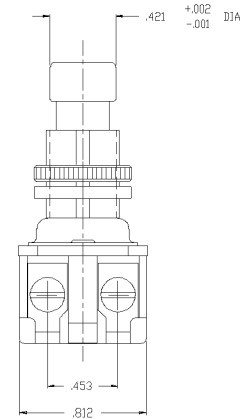
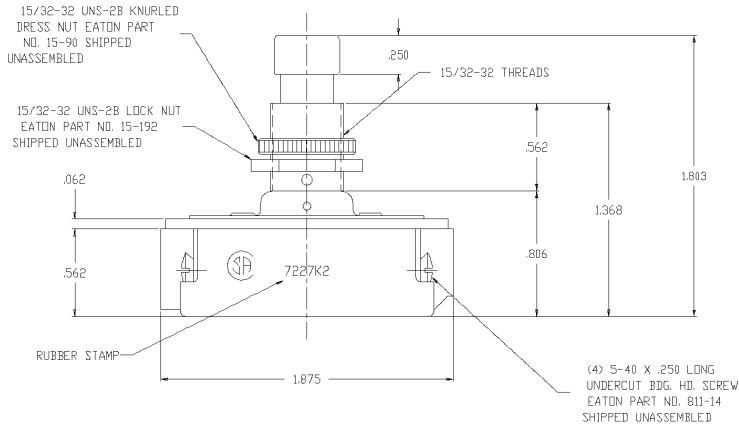
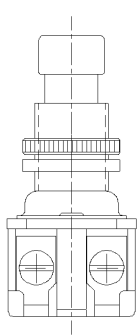
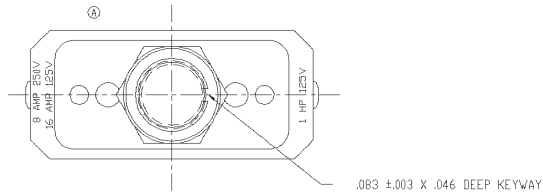


B 91-328



NOTES:
1. UNLESS OTHERWISE SPECIFIED ALL TOLERANCES TO BE ±.016.

ORDER NO. 93719950

A	REMOVED DIM FROM TOP VIEW.	JF	93719950	4/22/94	D
B					E
C					F



TITLE: D.P.D.T. PUSH BUTTON SWITCH			
DR.	LEDWARD	6/1/92	SURFACE COATING
CHK.	WESTHEIDER	6/1/92	SCALE
APP.	MERLIN R. DUMMER	6/1/92	DO NOT SCALE DRAWING
			FIRST ASSEN. WHERE LISTED 7227K2
			SUP'S ARROW-HART B0863
			SUP'D BY

Property of Tyco Electronics Corporation March, 2001
CUSTOMER DRWG: 1520149 REV: 99 PG 1 OF 1