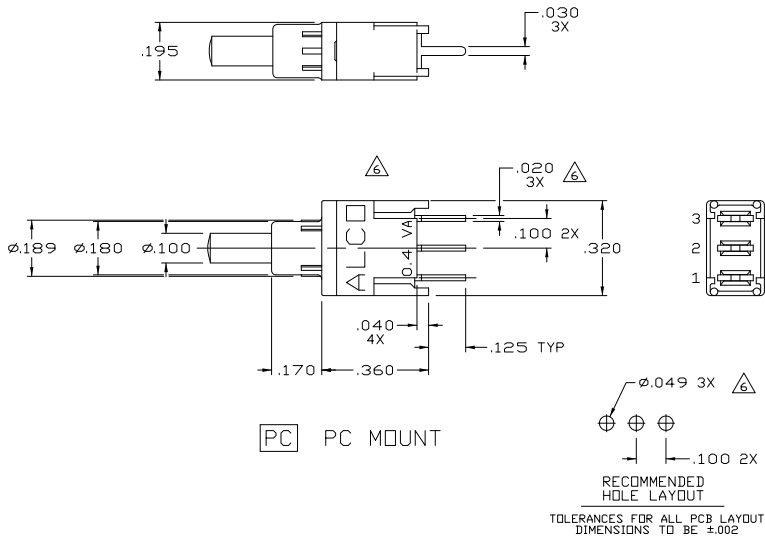


CONVERSION CHART		CONVERSION CHART	
INCH	MM	INCH	MM
.002	0,05	.374	9,49
.005	0,12	.396	10,06
.008	0,20	.400	10,16
.010	0,25	.524	13,31
.014	0,36		
.018	0,44		
.020	0,52		
.028	0,71		
.030	0,76		
.035	0,89		
.040	1,02		
.043	1,09		
.045	1,14		
.060	1,52		
.065	1,65		
.076	1,94		
.082	2,08		
.090	2,29		
.094	2,39		
.100	2,54		
.110	2,80		
.120	3,05		
.125	3,18		
.126	3,19		
.130	3,30		
.155	3,94		
.156	3,96		
.160	4,06		
.162	4,11		
.170	4,32		
.180	4,57		
.189	4,80		
.195	4,95		
.200	5,08		
.230	5,84		
.240	6,10		
.300	7,62		
.320	8,13		
.360	9,14		
.362	9,19		
.370	9,40		



PC PC MOUNT

TOLERANCES FOR ALL PCB LAYOUT DIMENSIONS TO BE ±.002

SPECIFICATIONS:

MATERIALS:
CASE: HIGH TEMPERATURE POLYESTER.
ACTUATOR: POLYAMIDE
MOVING CONTACT: COPPER ALLOY, GOLD
FIXED CONTACT: COPPER ALLOY, GOLD
TERMINALS: COPPER ALLOY, TIN-LEAD PLATE.

ELECTRICAL:
CONTACT RATING: 0.4VA @ 20 VAC/DC
INITIAL CONTACT RESISTANCE: 20 MILLIOHMS MAX.
INSULATION RESISTANCE: 1000 MEGOHMS @ 500V DC MIN.
DIELECTRIC STRENGTH: 1000 VOLTS RMS AT SEA LEVEL.

LIFE EXPECTANCY: C 80,000 CYCLES
F 60,000 CYCLES.

MECHANICAL:
ACTUATION TRAVEL: .035

ENVIRONMENTAL:
OPERATING TEMPERATURE: -22°F TO +185°F
(-30°C TO +85°C)
STORAGE TEMPERATURE: -67°F TO +185°F
(-55°C TO +85°C)

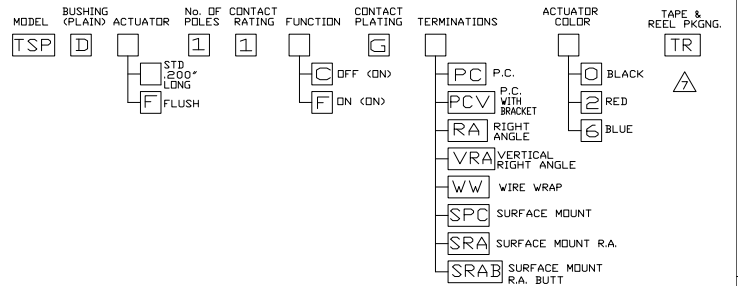
NOTES:

1. INTERPRET DRAWING PER ASME Y14.5M-1994.

FIGURE I

FUNCTION CHART			
THE FOLLOWING FUNCTIONS AVAILABLE IN SINGLE POLE.			
<input type="checkbox"/> 2 POSITIONS OFF <ON> TERMINALS CONNECTED: 1-3 OMIT CENTER TERMINAL FOR FUNCTION <input type="checkbox"/>			
<input type="checkbox"/> 2 POSITIONS ON <ON> TERMINALS CONNECTED: 1-2 2-3			
OFF INDICATES A MECHANICAL POSITION WITH NO ELECTRICAL CONNECTION. <ON> INDICATES MOMENTARY ACTION			

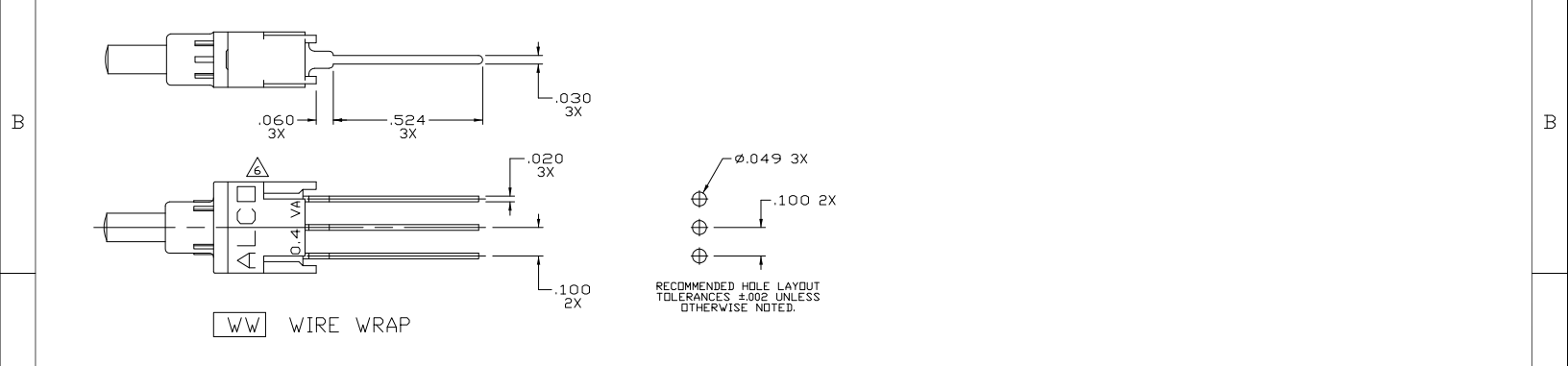
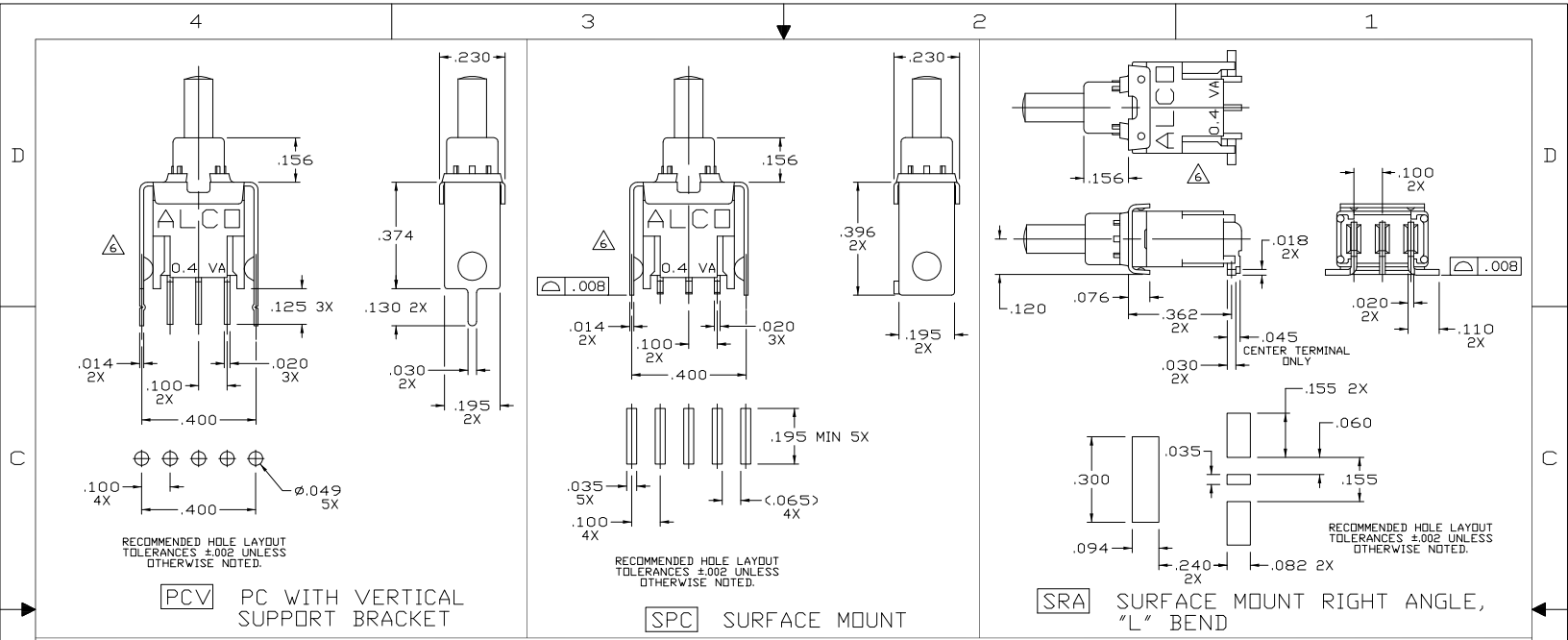
PART NUMBERING SEQUENCE



REV	DESCRIPTION	DATE	APP'D
C			

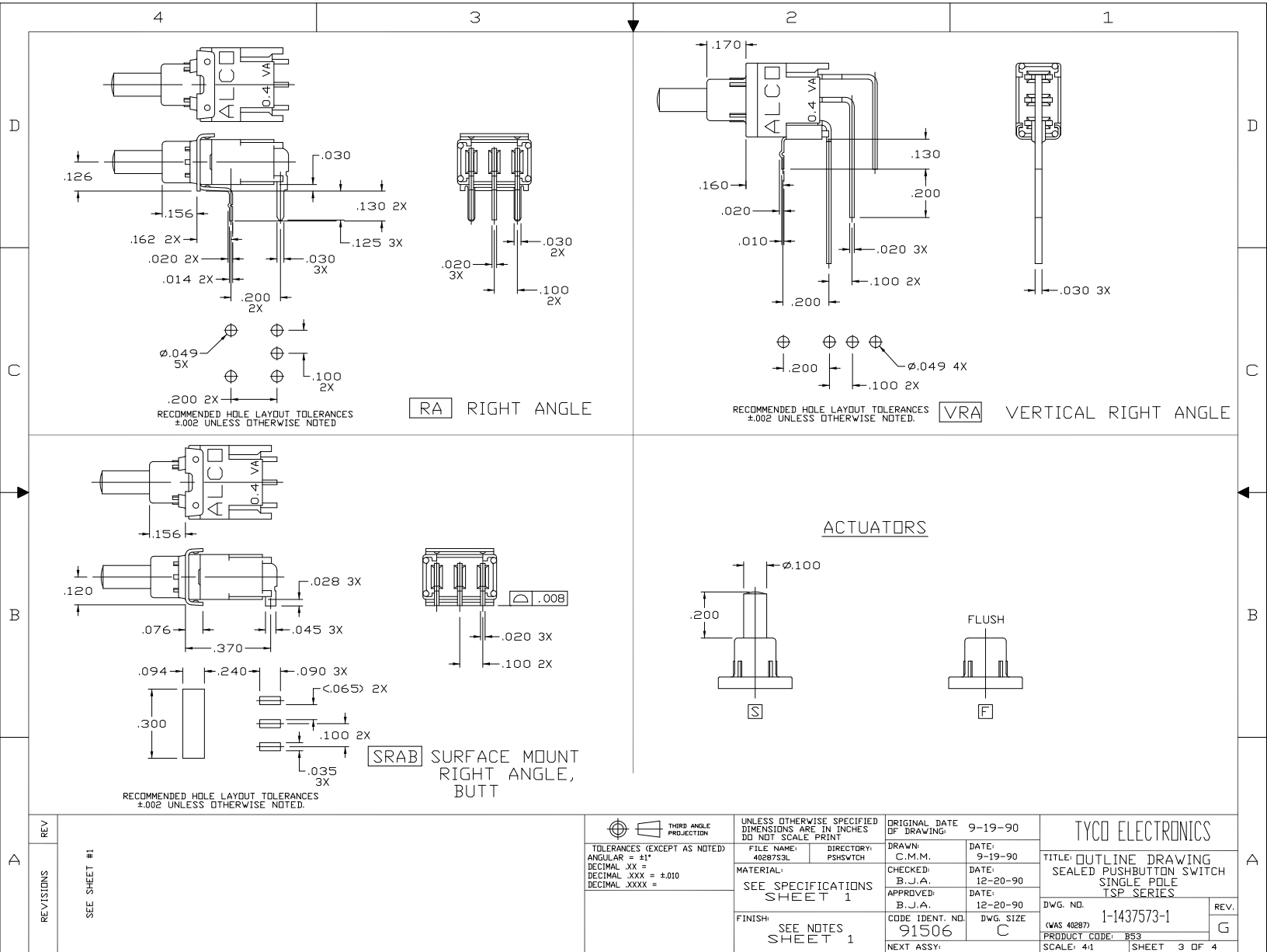
		UNLESS OTHERWISE SPECIFIED DIMENSIONS ARE IN INCHES DO NOT SCALE PRINT		ORIGINAL DATE OF DRAWING: 9-19-90		TYCO ELECTRONICS	
TOLERANCES (EXCEPT AS NOTED): ANGULAR = ±1° DECIMAL .XX = ±.010 DECIMAL .XXX = ±.010 DECIMAL .XXXX = ±.010		FILE NAME: 40287S1L DIRECTORY: PSHSWTCH		DRAWN: C.M.M. DATE: 9-19-90		TITLE: OUTLINE DRAWING SEALED PUSHBUTTON SWITCH SINGLE POLE TSP SERIES	
MATERIAL: SEE SPECIFICATIONS		CHECKED: B.J.A. DATE: 12-20-90		APPROVED: B.J.A. DATE: 12-20-90		DWG. NO. 1-1437573-1	
FINISH: SEE NOTES		CODE IDENT. NO. 91506 DWG. SIZE C		NEXT ASSY:		REV. G	
						SCALE: 4:1 SHEET 1 OF 4	

CUSTOMER DRAWING 1



REV	SEE SHEET #1	THIRD ANGLE PROJECTION	TOLERANCES (EXCEPT AS NOTED): ANGULAR = ±1° DECIMAL .XX = ±.010 DECIMAL .XXX = ±.010 DECIMAL .XXXX = ±.010	UNLESS OTHERWISE SPECIFIED DIMENSIONS ARE IN INCHES DO NOT SCALE PRINT		ORIGINAL DATE OF DRAWING: 9-19-90		TYCO ELECTRONICS	
				FILE NAME: 40287S2L	DIRECTORY: PSHSWTCH	DRAWN: C.M.M.	DATE: 9-19-90	TITLE: OUTLINE DRAWING SEALED PUSHBUTTON SWITCH SINGLE POLE TSP SERIES	
REVISIONS				MATERIAL: SEE SPECIFICATIONS SHEET 1 OF 3	CHECKED: B.J.A.	DATE: 12-20-90	APPROVED: B.J.A.	DATE: 12-20-90	DWG. NO. 1-1437573-1
				FINISH: SEE NOTES SHEET 1 OF 3	CODE IDENT. NO. 91506	DWG. SIZE C	NEXT ASSY:		(WAS 40287) PRODUCT CODE: B53 SCALE: 4:1 SHEET 2 OF 4

CUSTOMER DRAWING 1



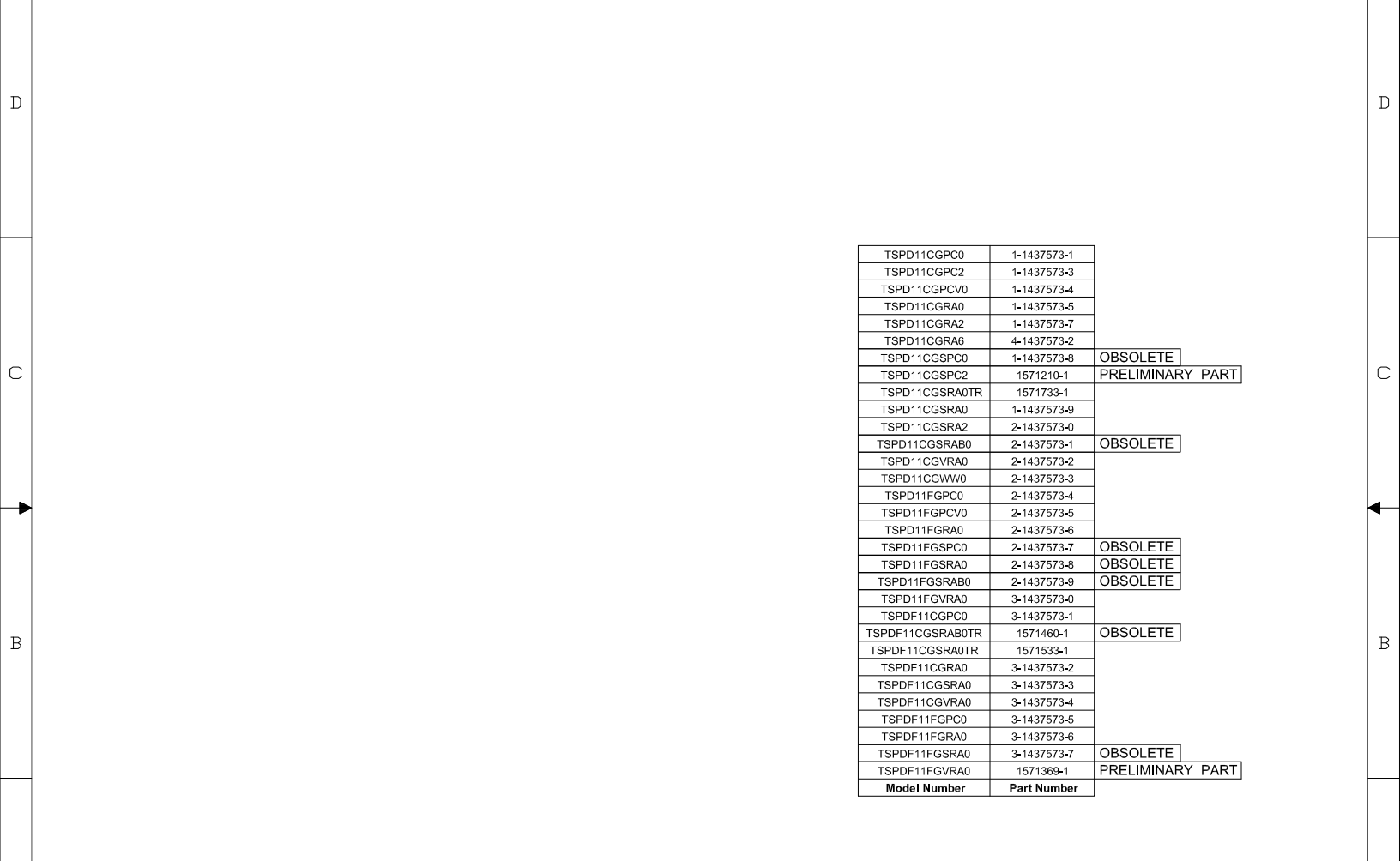
REV	REVISIONS
	SEE SHEET #1

 THIRD ANGLE PROJECTION	TOLERANCES (EXCEPT AS NOTED): ANGULAR = ±1° DECIMAL .XX = ±.010 DECIMAL .XXX = ±.010 DECIMAL .XXXX = ±.010
----------------------------	------------------------------------------------------------------------------------------------------------------------

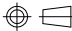
UNLESS OTHERWISE SPECIFIED DIMENSIONS ARE IN INCHES DO NOT SCALE PRINT		ORIGINAL DATE OF DRAWING: 9-19-90	
FILE NAME: 4028753L	DIRECTORY: PSHSWTCH	DRAWN: C.M.M.	DATE: 9-19-90
MATERIAL: SEE SPECIFICATIONS SHEET 1		CHECKED: B.J.A.	DATE: 12-20-90
FINISH: SEE NOTES SHEET 1		APPROVED: B.J.A.	DATE: 12-20-90
		CODE IDENT. NO: 91506	DWG. SIZE: C
		NEXT ASSY:	

TYCO ELECTRONICS	
TITLE: OUTLINE DRAWING SEALED PUSHBUTTON SWITCH SINGLE POLE TSP SERIES	
DWG. NO. 1-1437573-1	REV. G
(WAS 40287) PRODUCT CODE: B53	SCALE: 4:1 SHEET 3 OF 4

4 3 2 1



TSPD11CGPC0	1-1437573-1	
TSPD11CGPC2	1-1437573-3	
TSPD11CGPCV0	1-1437573-4	
TSPD11CGRA0	1-1437573-5	
TSPD11CGRA2	1-1437573-7	
TSPD11CGRA6	4-1437573-2	
TSPD11CGSPC0	1-1437573-8	OBSOLETE
TSPD11CGSPC2	1571210-1	PRELIMINARY PART
TSPD11CGSRA0TR	1571733-1	
TSPD11CGSRA0	1-1437573-9	
TSPD11CGSRA2	2-1437573-0	
TSPD11CGSRAB0	2-1437573-1	OBSOLETE
TSPD11CGVRA0	2-1437573-2	
TSPD11CGWV0	2-1437573-3	
TSPD11FGPC0	2-1437573-4	
TSPD11FGPCV0	2-1437573-5	
TSPD11FGRA0	2-1437573-6	
TSPD11FGSPC0	2-1437573-7	OBSOLETE
TSPD11FGSRA0	2-1437573-8	OBSOLETE
TSPD11FGSRAB0	2-1437573-9	OBSOLETE
TSPD11FGVRA0	3-1437573-0	
TSPDF11CGPC0	3-1437573-1	
TSPDF11CGSRAB0TR	1571460-1	OBSOLETE
TSPDF11CGSRA0TR	1571533-1	
TSPDF11CGRA0	3-1437573-2	
TSPDF11CGSRA0	3-1437573-3	
TSPDF11CGVRA0	3-1437573-4	
TSPDF11FGPC0	3-1437573-5	
TSPDF11FGRA0	3-1437573-6	
TSPDF11FGSRA0	3-1437573-7	OBSOLETE
TSPDF11FGVRA0	1571369-1	PRELIMINARY PART
Model Number	Part Number	

REV REVISIONS	SEE SHEET #1	 THIRD ANGLE PROJECTION TOLERANCES (EXCEPT AS NOTED): ANGULAR = ±1° DECIMAL .XX = ±.010 DECIMAL .XXX = ±.010 DECIMAL .XXXX = ±.010	UNLESS OTHERWISE SPECIFIED DIMENSIONS ARE IN INCHES DO NOT SCALE PRINT	ORIGINAL DATE OF DRAWING: 9-19-90	TYCO ELECTRONICS	
			FILE NAME: 4028753L DIRECTORY: PSHSWTCH MATERIAL: SEE SPECIFICATIONS SHEET 1 FINISH: SEE NOTES SHEET 1	DRAWN: C. M. M. DATE: 9-19-90 CHECKED: B. J. A. DATE: 12-20-90 APPROVED: B. J. A. DATE: 12-20-90	TITLE: OUTLINE DRAWING SEALED PUSHBUTTON SWITCH SINGLE POLE TSP SERIES	DWG. NO. 1-1437573-1 (WAS 40287) PRODUCT CODE: B53 SCALE: 4:1
CAD0809952C					CUSTOMER DRAWING 1	

4 3 2 1