

4

3

2

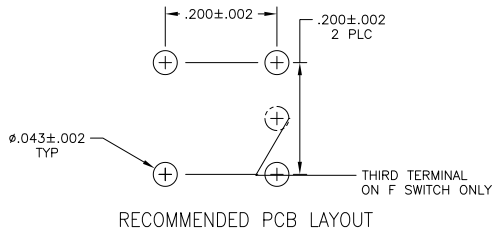
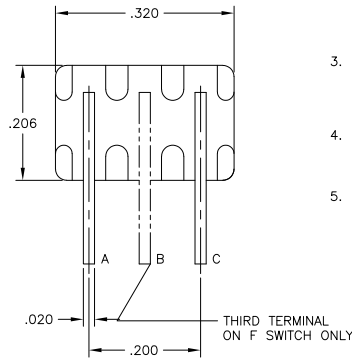
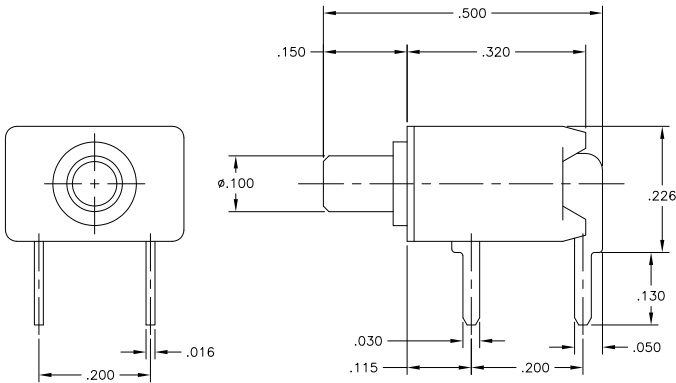
1

THIS DRAWING IS UNPUBLISHED. RELEASED FOR PUBLICATION. ALL RIGHTS RESERVED.

LOC	DIST	REVISIONS			
P	LTR	DESCRIPTION	DATE	BY	APP'D
AD	00				
	B1	REVISED PER ECO-11-005027	11MAR11	RK	HMR

NOTES:

- MATERIALS:**
CASE: THERMOPLASTIC, UL94-V0.
ACTUATOR BUTTON: THERMOPLASTIC, COLORS: SEE CHART
MOVING CONTACT: COPPER ALLOY, GOLD PLATED
FIXED CONTACT: COPPER ALLOY, GOLD PLATED
TERMINALS: COPPER ALLOY, TIN-LEAD PLATED
TERMINAL SEAL: SP EPOXY
- ELECTRICAL:**
CONTACT RATING GOLD: 0.4 VA MAX @ 20 VDC OR PEAK AC
INITIAL CONTACT RESISTANCE: 20 MILLIOHMS MAX
INSULATION RESISTANCE: 1,000 MEGOHMS AT 500 VDC MIN.
DIELECTRIC STRENGTH: 1,000 VOLTS
LIFE EXPECTANCY: 1 POLE = 1000,000 CYCLES
2 POLES = 80,000 CYCLES.
- MECHANICAL:**
ACTUATION FORCE: SEE TABLE
ACTUATION TRAVEL: .030 APPROX.
- ENVIRONMENTAL:**
OPERATING TEMPERATURE: -22°F TO +149°F (-30°C TO +65°C)
STORAGE TEMPERATURE: -22°F TO +149°F (-30°C TO +65°C)
- INTERPRET DRAWING PER ASME Y14.5M-1984



12 oz [.34Kg]	BLUE	B TO C (MOM.)	B TO A	SPDT MOMENTARY	TPA11FGRA6	3-1437571-9
12 oz [.34Kg]	RED	B TO C (MOM.)	B TO A	SPDT MOMENTARY	TPA11FGRA2	3-1437571-8
12 oz [.34Kg]	BLACK	B TO C (MOM.)	B TO A	SPDT MOMENTARY	TPA11FGRA0	3-1437571-6
9 oz [.26Kg]	BLUE	A TO C	NONE	SPST NORMALLY OPEN	TPA11CGRA6	3-1437571-1
9 oz [.26Kg]	RED	A TO C	NONE	SPST NORMALLY OPEN	TPA11CGRA2	3-1437571-0
9 oz [.26Kg]	BLACK	A TO C	NONE	SPST NORMALLY OPEN	TPA11CGRA0	2-1437571-9
ACTUATION FORCE	BUTTON COLOR	DEPRESSED BUTTON	FREE BUTTON	ACTION	AUGAT PART NUMBER	PART NUMBER

DIMENSIONS:		OTHER DIMENSIONS:		APPLICATION SPEC:		RESTRICTED TO:	
INCHES		OTHER DIMENSIONS:		APPLICATION SPEC:		RESTRICTED TO:	
SEE TABLE		FINISH		WEIGHT		SCALE	
SEE TABLE		FINISH		WEIGHT		SCALE	