

4

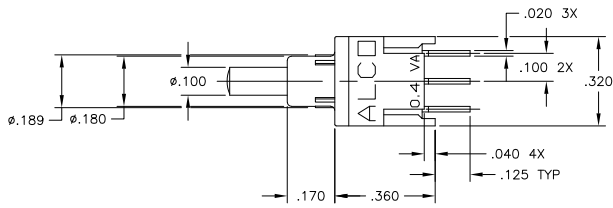
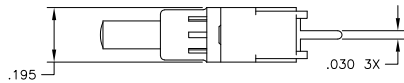
3

2

1

THIS DRAWING IS UNPUBLISHED. RELEASED FOR PUBLICATION. ALL RIGHTS RESERVED.

LOC	DIST	REVISIONS		
P	LTR	DESCRIPTION	DATE	BY
AD	00			
A1		REVISED PER ECO-11-005027	11MAR11	RK HMR



PC MOUNT



TOLERANCES FOR ALL PCB LAYOUT DIMENSIONS TO BE ±.002

SPECIFICATIONS:

MATERIALS:
CASE & BUSHING: LCP
BUTTON: POLYAMIDE
SPRING: MUSIC WIRE, ZN PLATED
MOVABLE CONTACT: BRASS OR COPPER ALLOY, AU OVER NI PLATED.
BRACKET: STEEL, TIN OVER COPPER PLATED
TERMINALS: BRASS, TIN OVER NICKEL IN SOLDER AREA AND GOLD OVER NI IN CONTACT AREA.
O-RING: NITRILE

ELECTRICAL:
CONTACT RATING: 0.4VA @ 20 VAC/DC
INITIAL CONTACT RESISTANCE: 20 MILLIOHMS MAX.
INSULATION RESISTANCE: 1000 MEGOHMS @ 500V DC MIN.
DIELECTRIC STRENGTH: 1000 VOLTS RMS AT SEA LEVEL.
LIFE EXPECTANCY: 80,000 CYCLES
60,000 CYCLES.

MECHANICAL:
ACTUATION TRAVEL: .035

ENVIRONMENTAL:
OPERATING TEMPERATURE: -22°F TO +185°F
(-30°C TO +85°C)
STORAGE TEMPERATURE: -67°F TO +185°F
(-55°C TO +85°C)

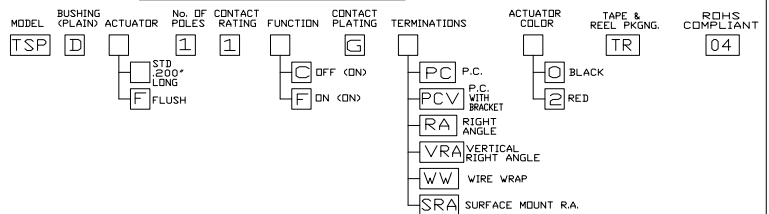
NOTES:

- ALL MATERIALS AND FINISHES COMPLY WITH EU DIRECTIVE 2002/95/EC OF 27JAN2003 (ROHS)
- F FUNCTION NOT AVAILABLE WITH SRA TERMINATION.

FIGURE I

FUNCTION CHART	
THE FOLLOWING FUNCTIONS AVAILABLE IN SINGLE POLE.	
<input type="checkbox"/> 2 POSITIONS OFF <DN>	TERMINALS CONNECTED: 1-3
OMIT CENTER TERMINAL FOR FUNCTION <input type="checkbox"/>	
<input type="checkbox"/> 2 POSITIONS ON <DN>	TERMINALS CONNECTED: 1-2 2-3
OFF INDICATES A MECHANICAL POSITION WITH NO ELECTRICAL CONNECTION.	
<DN> INDICATES MOMENTARY ACTION	

PART NUMBERING SEQUENCE



THIS DRAWING IS A CONTROLLED DOCUMENT.		DIN M. BUNNER 01MAR05		TE Connectivity	
DIMENSIONS: INCHES		CHK. M. ZITTO 01MAR05		APPROVED M. ZITTO 01MAR05	
TOLERANCES UNLESS OTHERWISE SPECIFIED:		APPLICATION SPEC		SIZE CASE CODE DRAWING NO. RESTRICTED TO	
0 PLC ± .010		WEIGHT		A2 00779 C=1571990	
1 PLC ± .010		MATERIAL		CUSTOMER DRAWING	
2 PLC ± .010		FINISH		SCALE 4:1 SHEET 1 of 4 REV A1	
3 PLC ± .010					
4 PLC ± .010					
ANGLES ± .1°					

4

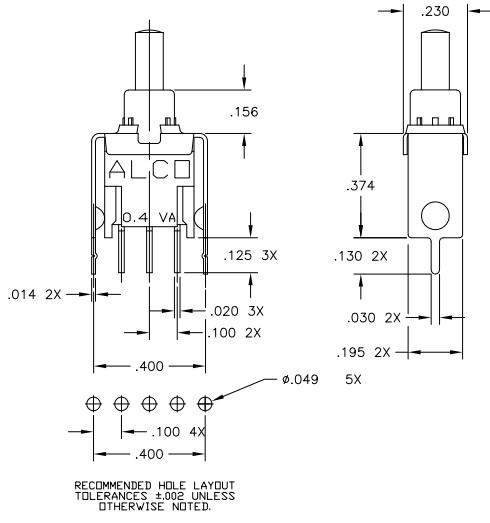
3

2

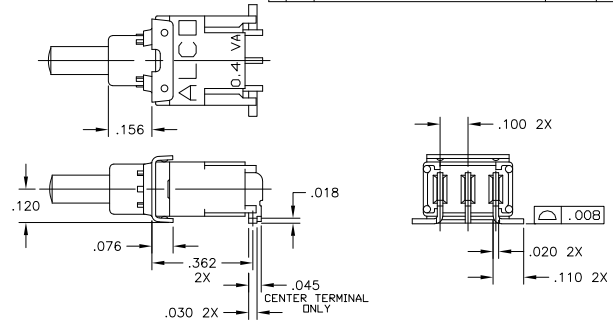
1

THIS DRAWING IS UNPUBLISHED. RELEASED FOR PUBLICATION
 © COPYRIGHT - By - ALL RIGHTS RESERVED.

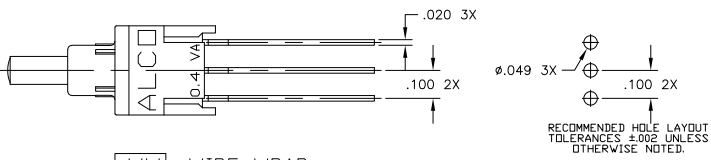
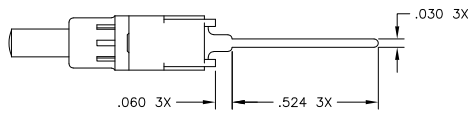
LOC	DIST	REVISIONS		
P	LR	DESCRIPTION	DATE	OWN
AD	00	SEE SHEET 1	-	-



PCV PC WITH VERTICAL SUPPORT BRACKET



SRA SURFACE MOUNT RIGHT ANGLE, "L" BEND



WW WIRE WRAP

THIS DRAWING IS A CONTROLLED DOCUMENT.		DWG: M. BINNER 01MAR05	TE Connectivity
DIMENSIONS: INCHES		CHK: M. ZITTO 01MAR05	
TOLERANCES UNLESS OTHERWISE SPECIFIED:		APP: M. ZITTO 01MAR05	NAME: SEALED PUSHBUTTON SWITCH
0 PLG	± .010	PRODUCT SPEC:	SINGLE POLE, TSP SERIES, ROHS COMPLIANT
1 PLG	± .010	APPLICATION SPEC:	SIZE: CAGE CODE: DRAWING NO:
2 PLG	± .010	WEIGHT:	A2 00779 C=1571990
3 PLG	± .010	FINISH:	RESTRICTED TO:
4 PLG	± .010		CUSTOMER DRAWING
ANGLES	± .1°		SCALE: 4:1 SHEET: 2 of 4 REV: A1

4

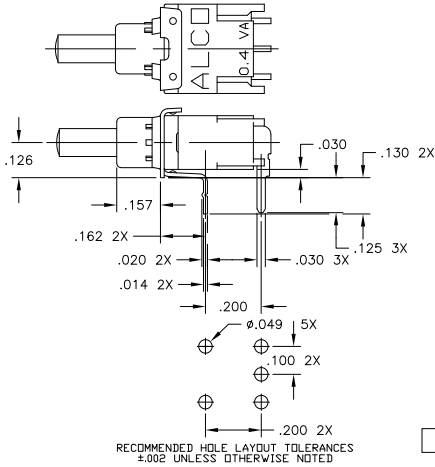
3

2

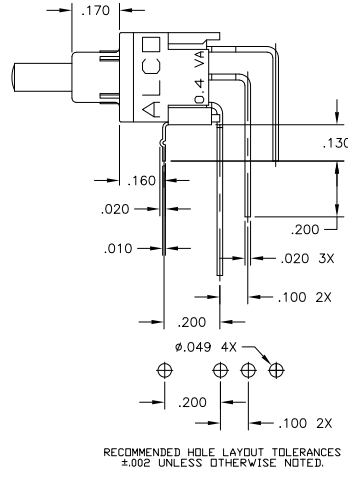
1

THIS DRAWING IS UNPUBLISHED. RELEASED FOR PUBLICATION
 © COPYRIGHT - By - ALL RIGHTS RESERVED.

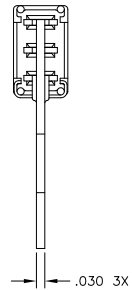
LOC	DIST	REVISIONS			
P	LTR	DESCRIPTION	DATE	ENR	APD
AD	00	SEE SHEET 1	-	-	-



RA RIGHT ANGLE



VRA VERTICAL RIGHT ANGLE



THIS DRAWING IS A CONTROLLED DOCUMENT.		DWG: M. BINNER 01MAR05	TE Connectivity	
DIMENSIONS: INCHES		CHK: M. ZITTO 01MAR05	SEATED PUSHBUTTON SWITCH	
TOLERANCES UNLESS OTHERWISE SPECIFIED:		APP: M. ZITTO 01MAR05	SINGLE POLE, TSP SERIES, ROHS COMPLIANT	
0 PLC	± .010	PRODUCT SPEC:	SIZE: A2	CAGE CODE: 00779
1 PLC	± .010	APPLICATION SPEC:	DRAWING NO: C=1571990	RESTRICTED TO:
2 PLC	± .010	WEIGHT:		
3 PLC	± .010	CUSTOMER DRAWING	SCALE: 4:1	SHEET: 3 of 4
4 PLC	± .010			REV: A1
ANGLES	± .1°			
MATERIAL:				
FINISH:				

4

3

2

1

THIS DRAWING IS UNPUBLISHED. RELEASED FOR PUBLICATION
 © COPYRIGHT - By - ALL RIGHTS RESERVED.

LOC	DIST	REVISIONS			
P	LTR	DESCRIPTION	DATE	OWN	APPD
-	-	SEE SHEET 1	-	-	-

obsolete	TSPDF11FGVRA004	3-1571990-1
obsolete	TSPDF11FGSRA004	3-1571990-0
	TSPDF11FGRA004	2-1571990-9
	TSPDF11FGPC004	2-1571990-8
	TSPDF11CGVRA004	2-1571990-7
preliminary	TSPDF11CGSRA004	2-1571990-6
	TSPDF11CGRA004	2-1571990-5
obsolete	TSPDF11CGSRAB0TR04	2-1571990-4
preliminary	TSPDF11CGSRA0TR04	2-1571990-3
	TSPDF11CGPC004	2-1571990-2
	TSPD11FGVRA004	2-1571990-1
obsolete	TSPD11FGSRAB004	2-1571990-0
obsolete	TSPD11FGSRA004	1-1571990-9
obsolete	TSPD11FGSPC004	1-1571990-8
	TSPD11FGRA004	1-1571990-7
	TSPD11FGPCV004	1-1571990-6
	TSPD11FGPC004	1-1571990-5
	TSPD11CGWW004	1-1571990-4
	TSPD11CGVRA004	1-1571990-3
obsolete	TSPD11CGSRAB004	1-1571990-2
preliminary	TSPD11CGSRA204	1-1571990-1
preliminary	TSPD11CGSRA0TR04	1-1571990-0
preliminary	TSPD11CGSRA004	1571990-9
obsolete	TSPD11CGSPC204	1571990-8
obsolete	TSPD11CGSPC004	1571990-7
	available	1571990-6
	TSPD11CGRA204	1571990-5
	TSPD11CGRA004	1571990-4
	TSPD11CGPCV004	1571990-3
	TSPD11CGPC204	1571990-2
	TSPD11CGPC004	1571990-1
	Alco P/N	P/N

THIS DRAWING IS A CONTROLLED DOCUMENT.

DIMENSIONS: INCHES	TE CONNECTIVITY'S UNITS DIMENSIONS SPECIFIED:	DWG M. BUNNER 01MAR05	CHK M. ZITTO 01MAR05	APPD M. ZITTO 01MAR05	NAME
	0 PLC 8 - 1 PLC 8 - 2 PLC 8 - 3 PLC 8 - 210 4 PLC 8 - 210 ANGLES 8 - 210	APPLICATION SPEC	WEIGHT	SIZE	CAGE CODE
MATERIAL	FINISH	CUSTOMER DRAWING		A2	00779
				DRAWING NO. 1571990	
				SCALE	1:1
				SHEET	4 of 4
				REV	A1

TE Connectivity
 SEALED PUSHBUTTON SWITCH
 SINGLE POLE, TSP SERIES, ROHS COMPLIANT