

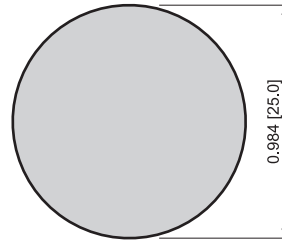
PV8 Series



RoHS

NEW

Suggested Panel Cutout



Maximum Panel Thickness
Momentary Version: 0.394 [10.0mm]
Maintained Version: 0.472 [12.0mm]

FEATURES:

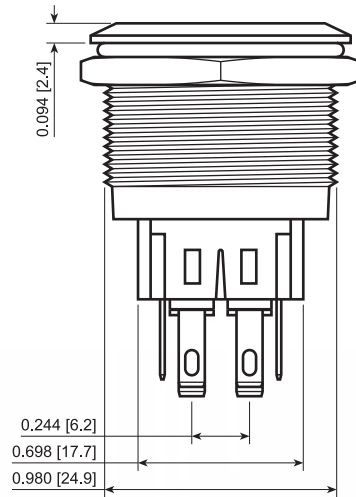
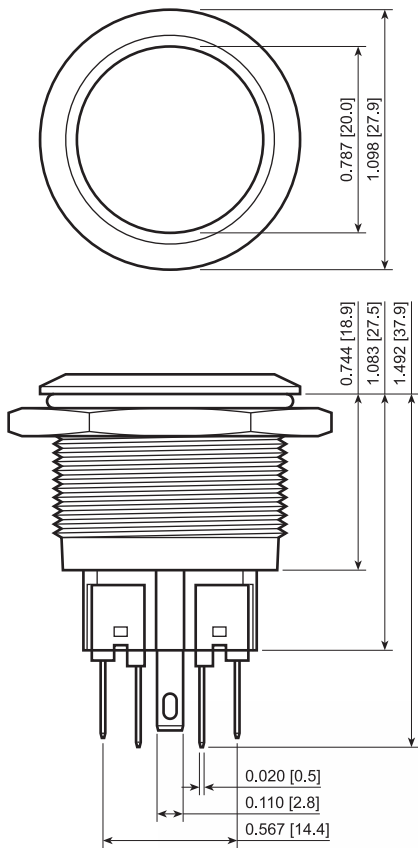
- Vandal and Vandal Resistant
- Long Life Expectancy
- Many Function and Illumination Options

SPECIFICATIONS:

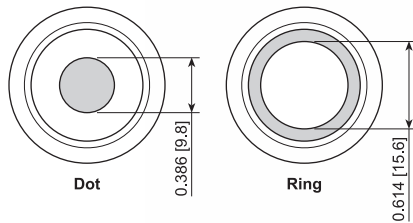
RATING: 2A 36VDC
ILLUMINATION BASE RATING:
 Red, Yellow, and Orange: 20mA 1.8V
 Blue, Green, and White: 20mA 2.8V
TEMPERATURE: -20°C to 70°C
CONTACT RESISTANCE: 50mΩ Max.
INSULATION RESISTANCE: 1,000MΩ Min.
DIELECTRIC STRENGTH: 2,000VAC
MECHANICAL LIFE: 1,000,000 Cycles
ELECTRICAL LIFE: 50,000 Cycles

MATERIALS:

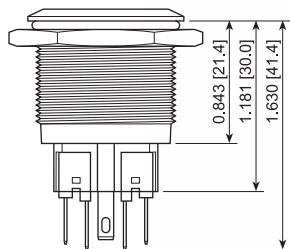
BUTTON: Stainless Steel
 Nickel Plated Brass
BODY: Stainless Steel
 Nickel Plated Brass
BASE: PBT



Illumination Options



Maintained Version Dimensions



PV8F2V0SS-311

Series	Actuator Options	Terminal Function	Rating	Body Finish	Actuator Finish	Contact Material	Lens Style	Lens Color	Illumination Voltage
PV8	F - Flat	2 - Solder	0 - 2A 48VDC	N - Nickel S - Stainless Steel	N - Nickel S - Stainless Steel	None - Silver G - Gold	2 - Dot 3 - Ring	0 - White 1 - Red 2 - Orange 3 - Green 4 - Blue 5 - Yellow	1 - Base Voltage 3 - 6V 4 - 12V 5 - 24V 6 - 125V 7 - 250V

Notes:
 Additional material, illumination, and marking options are available. Please ask your sales person.

For Illuminated Switches Only

EXAMPLE PART NUMBERS:

- PV8F2U0SS-344** 2P Off-On/2P On-Off
Flat Actuator, Blue Ring Illumination, 12V
- PV8F2V0SS-211** 2P Off-(On)/2P On-(Off)
Flat Actuator, Red Dot Illumination, 1.8V
- PV8F2V0SS-321** 2P Off-(On)/2P On-(Off)
Flat Actuator, Orange Ring Illumination, 1.8V
- PV8F2Y0SS-235** 1P Off-(On)/1P On-(Off)
Flat Actuator, Green Dot Illumination, 24V
- PV8F2Y0SS-313** 1P Off-(On)/1P On-(Off)
Flat Actuator, Red Ring Illumination, 6V



Ph: 503-297-8878 • Fax: 503-297-8879

42

P.O. Box 25110 • Portland, OR 97298 USA • www.lambind.com

SPECIFICATIONS SUBJECT TO CHANGE WITHOUT NOTICE