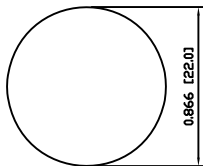
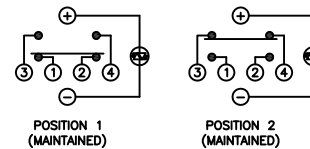


SUGGESTED PANEL CUTOUT



MAXIMUM PANEL THICKNESS: 0.512 [13.0mm]

SCHEMATIC



SPECIFICATIONS

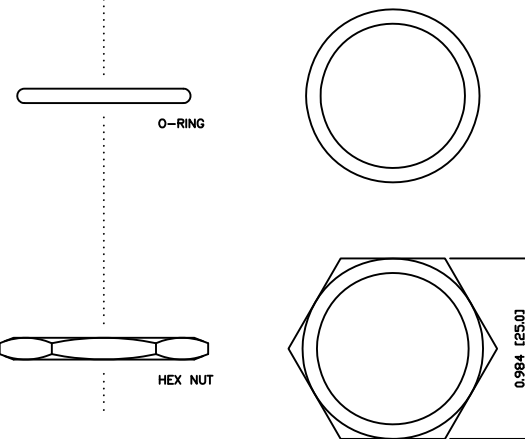
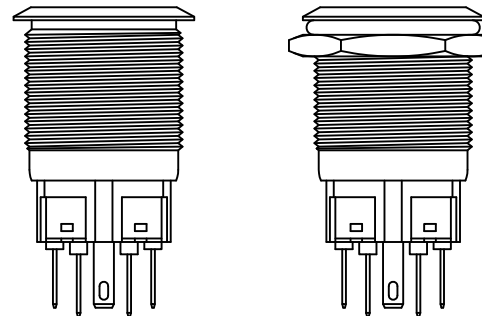
- FUNCTION: 1PNO OFF-ON + 1PNC ON-OFF
- RATINGS: 2A 48VDC
- ILLUMINATION VOLTAGE: 2.8V 20mA
- CONTACT RESISTANCE: Initial: 50mΩ Max. at 1A 12VDC
- INSULATION RESISTANCE: 1,000MΩ Min. at 500VDC
- DIELECTRIC STRENGTH: 2,000VAC Min. for 1 Minute
- ELECTRICAL LIFE: 50,000 Cycles
- MECHANICAL LIFE: 1,000,000 Cycles
- TEMPERATURE: Operating: -40°C to 70°C
- INGRESS PROTECTION: IP65
- APPROVALS: **RoHS** COMPLIANT

MATERIALS

- BUSHING: Stainless Steel (304)
- BASE: Polyamide 6/6 (PA66)
- ACTUATOR: Stainless Steel (304), Polycarbonate (PC), UL94 V-2
- HARDWARE: Nickel Plated Brass (H59)
- SEALING: Silicone, Stainless Steel (304)
- INNER ASSEMBLY: Polyamide 6/6 (PA66), Brass (H59), Stainless Steel (304)
- SPRING: Stainless Steel (304)
- CONTACTS: Silver Plated Copper
- TERMINALS: Brass
- O-RING: Nitrile Butadiene Rubber (NBR)

COLORS AND FINISH

- BEZEL: Stainless Steel, Machine Finish
- ACTUATOR: Stainless Steel, Machine Finish
- ILLUMINATION: Green (Forward), Green (Reverse)
- MARKING: None



EXPLODED VIEW

ASSEMBLED VIEW

BODY	A	09/07/22	CAB
COLORS	A	09/07/22	CAB
MATERIALS	A	09/07/22	CAB
SPECIFICATIONS	A	09/07/22	CAB
REFERENCE	REV.	DATE	BY

THE INFORMATION CONTAINED IN THIS DOCUMENT IS PROPRIETARY TO E-SWITCH AND IS NOT TO BE COPIED OR TRANSFERRED

A	INITIAL RELEASE	PCRD0051	09/08/05	CAB
REV.	DESCRIPTION	PCR	DATE	DRAWN BY

DIMENSIONS	
INCHES [MILLIMETERS]	
GENERAL TOLERANCES	
±0.008 [±0.2] / ±1'	
SCALE	PROJECTION
DRAWING NOT TO SCALE	1:1

PV7F2T0SS-331			
DRAWING NUMBER	DATE	REVISION	
52-PV7F2T0SS331	AUGUST 5, 2009	A	