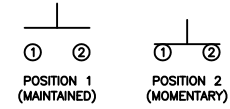


SCHEMATIC



SPECIFICATIONS

FUNCTION:
1P1T OFF-(ON)

RATING:
2A 48VDC

CONTACT RESISTANCE:
Initial: 50mΩ Max. at 1A 12VDC

INSULATION RESISTANCE:
1,000MΩ Min. at 500VDC

DIELECTRIC STRENGTH:
2,000VAC Min. for 1 Minute

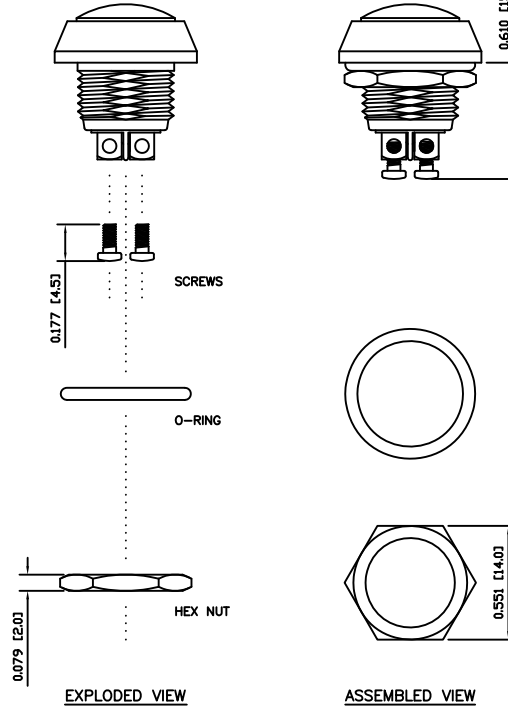
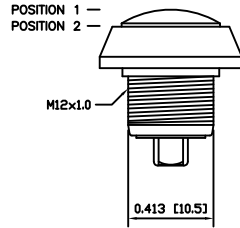
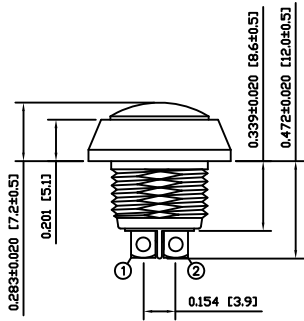
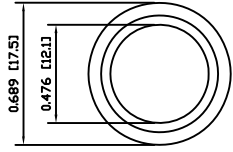
ELECTRICAL LIFE:
200,000 Cycles

MECHANICAL LIFE:
1,000,000 Cycles

INGRESS PROTECTION:
IP65

TEMPERATURE:
Operating: -20°C to 70°C

APPROVALS:
RoHS
COMPLIANT



COLORS AND FINISH

BODY:
Black
Anodized Finish

ACTUATOR:
Blue

MARKING:
None

MATERIALS

BUSHING:
Zinc-Aluminum Alloy

BASE:
Polybutylene Terephthalate (PBT), UL94 V-2

ACTUATOR:
Polybutylene Terephthalate (PBT), UL94 V-2

HARDWARE:
Brass (H59)

SEALING:
Silicone

INNER ASSEMBLY:
Polyamide 6/6 (PA66)
Brass (H62)

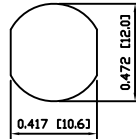
SPRING:
Stainless Steel (304)

CONTACTS:
Silver Plated Brass (H62)

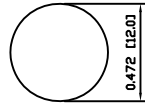
TERMINALS:
Silver Plated Brass (H62)
Steel (A3)

O-RING:
Nitrile Butadiene Rubber (NBR)

SUGGESTED PANEL CUTOUT



ALTERNATE PANEL CUTOUT



MAXIMUM PANEL THICKNESS: 0.157 [4.0mm]



BODY	A	09/08/04	CAB
COLORS	A	09/08/04	CAB
MATERIALS	A	09/08/04	CAB
SPECIFICATIONS	A	09/08/04	CAB
REFERENCE	REV.	DATE	BY

THE INFORMATION CONTAINED IN THIS DOCUMENT IS PROPRIETARY TO E-SWITCH AND IS NOT TO BE COPIED OR TRANSFERRED

A	PROPOSED DESIGN	PCRD0051	09/08/05	CAB
REV.	DESCRIPTION	PCR	DATE	DRAWN BY

DIMENSIONS	
INCHES [MILLIMETERS]	
GENERAL TOLERANCES	
±0.008 [±0.2] / ±1'	
SCALE	PROJECTION
DRAWING NOT TO SCALE	1st Angle

DRAWING NUMBER		DATE		REVISION
52-PV5S64017		AUGUST 5, 2009		A

PV5S64017