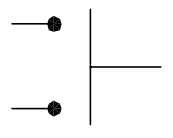


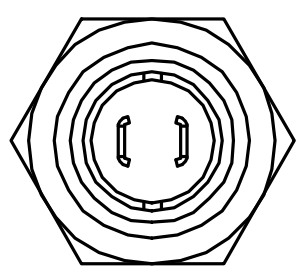
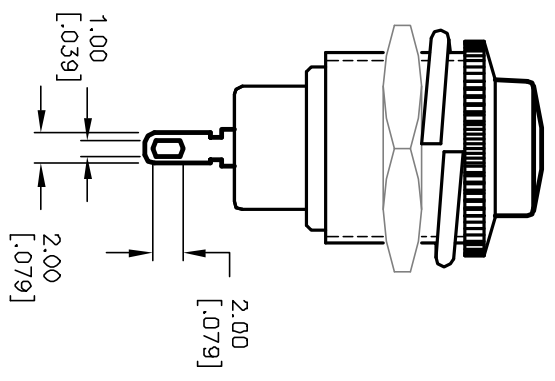
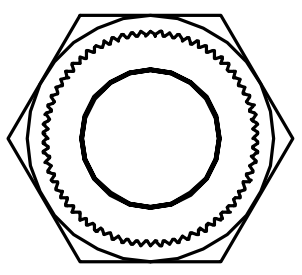
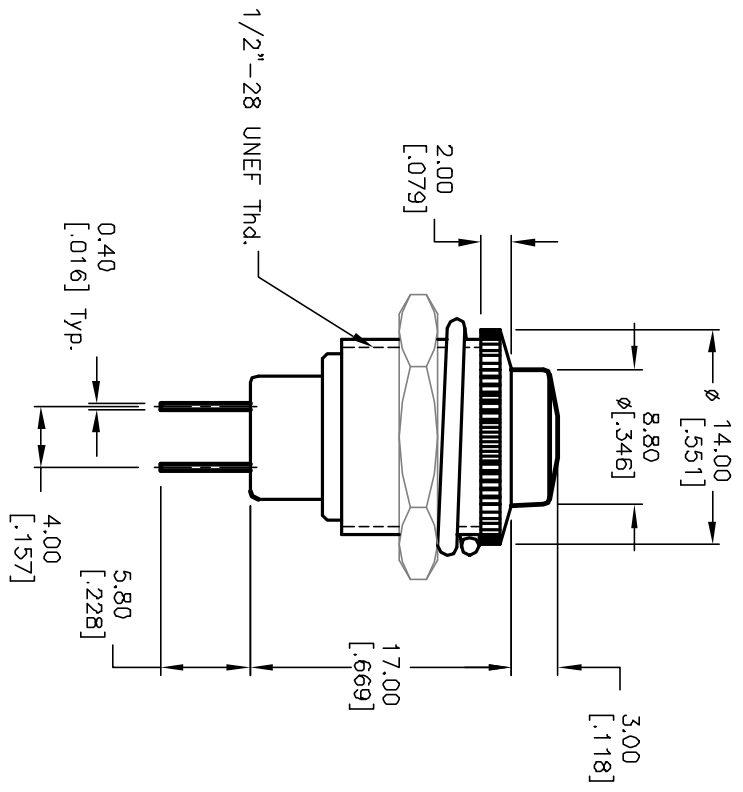
RECOMMENDED PANEL
 MOUNTING



CIRCUIT: 2P, SPST
 CONTACT CONFIGURATION
 OFF (ON)

NOTES:

1. ALL DIMENSIONS IN MM [INCH]
2. GENERAL TOLERANCE: X.X=±0.4
 X.XX=±0.25
3. TERM. NOS. FOR REF. ONLY
4. RATING: 3A 125V, 1.5A 250V AC
5. CONTACT RESISTANCE: 50m ohm max.
6. INSULATION RESISTANCE: DC 500V 100M ohm min.
7. DIELECTRIC STRENGTHS: AC 1000V 1 minute
8. ACTUATOR COLDR: GREEN



REV. A		12156		REFER TO OLD TAB#F030015_A		DATE		SCALE		DATE		DR		DWG		REV	
ECN No.		DESCRIPTION		DATE		CHKD		2:1		2/14/00		MM		F030015		A	
E-SWITCH® RP3502MA-GRN																	
THE INFORMATION CONTAINED IN THIS DOCUMENT IS PROPRIETARY TO E-SWITCH AND IS NOT TO BE COPIED OR TRANSFERRED																	