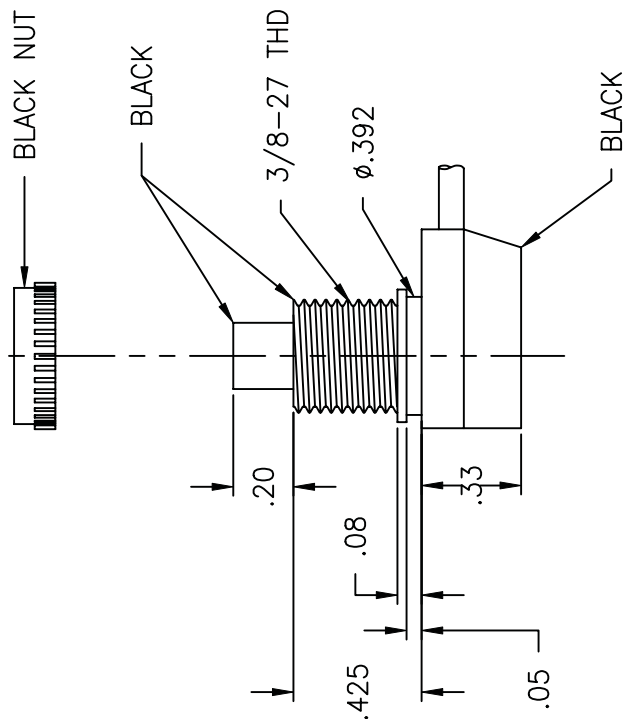
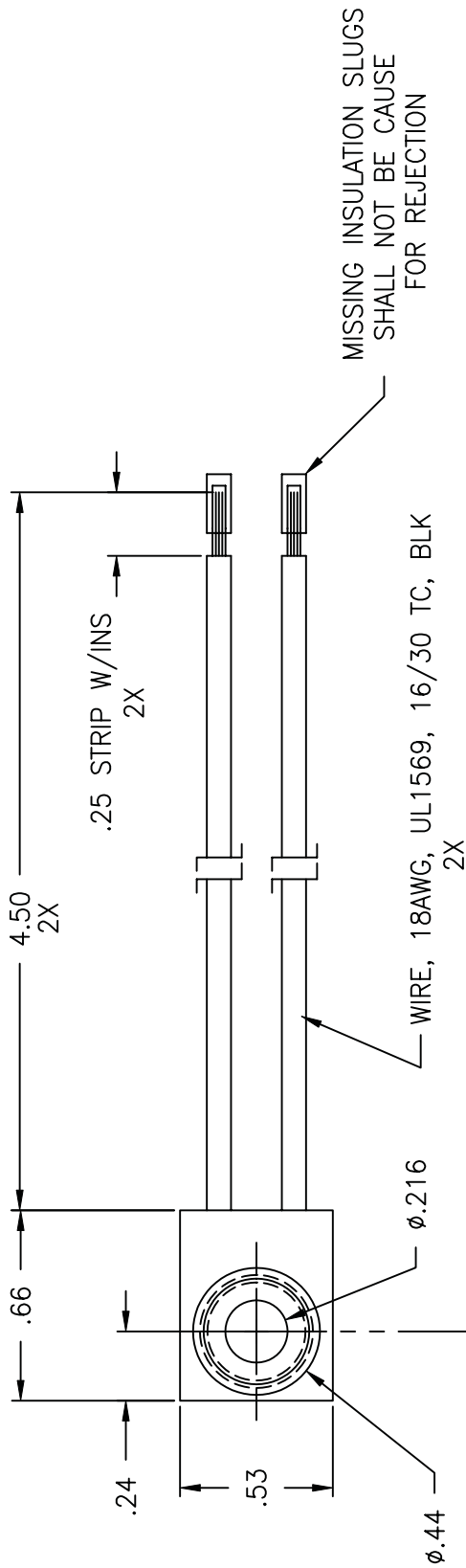


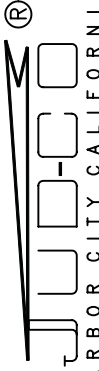
LTR	EN	DESCRIPTION	APPR	BY	DATE
A	-	INITIAL RELEASE	MT	DC	02-23-10



JUDCO INVENTORY NO. 40-4816-00  
 SWITCH TYPE: PUSH ON - PUSH OFF, SPST  
 GOLD OVER NICKEL PLATING ON COPPER  
 TERMINALS AND CUPS.  
 NUT INCLUDED

CUSTOMER:  
 CUSTOMER P/N:  
 APPROVED BY: \_\_\_\_\_  
 DATE: \_\_\_\_\_

DIMENSIONS IN INCHES DIMENSIONS ARE REFERENCE	
DRAWN:	DC 02-23-10
APPR:	KJ 02-23-10
ENG'G:	IS 02-23-10
SHEET 1415U1547A.DWG	


  
 HARBOR CITY CALIFORNIA  
 TITLE  
**OUTLINE**  
**J-188A-1 NON UL**  
 DWG. NO. **1415-1547**  
 SHEET 1 OF 1

This document embodies a product, component, and/or design proprietary to JUDCO MANUFACTURING INC., and which is protected either as a trade secret, by U.S. Patent, or by copyright. It may not be used in any way without written express consent of JUDCO MANUFACTURING INC.