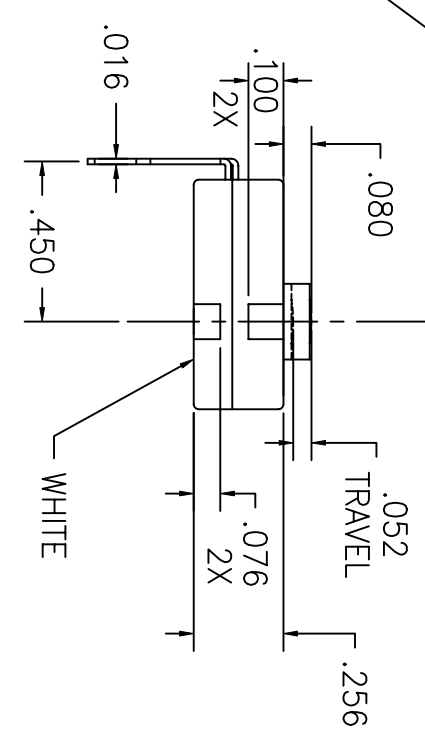
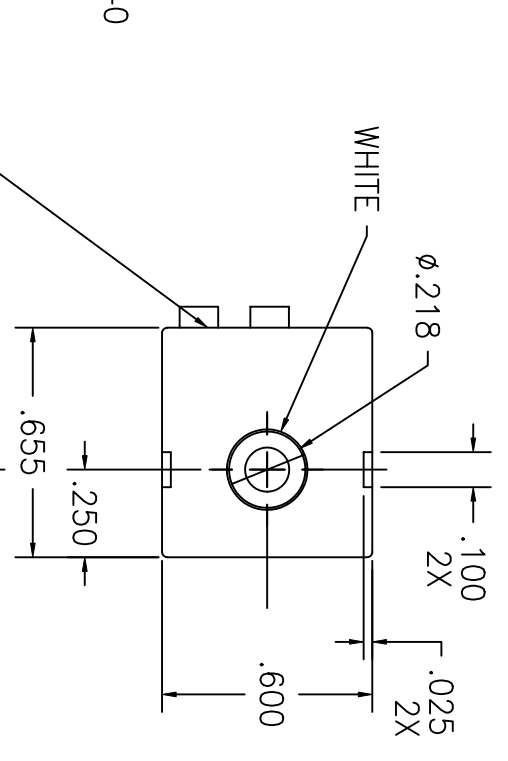
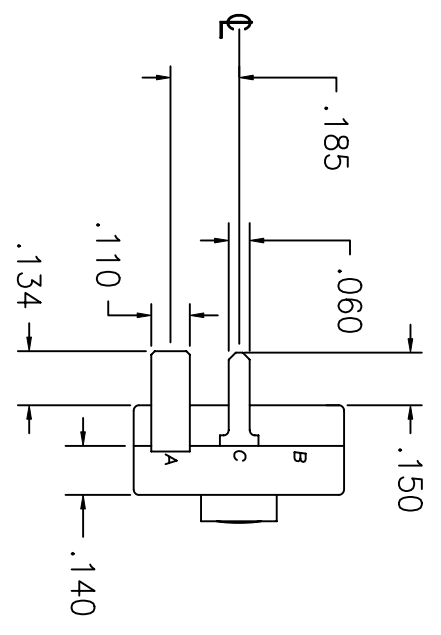


LTR	EN	DESCRIPTION	APPR	BY	DATE
A	-	INITIAL RELEASE	MT	DC	12-27-07



JUDCO INVENTORY NO. 40-4681-00
 SWITCH TYPE: MOMENTARY, NORMALLY OPEN

CUSTOMER: DIGI-KEY
 CUSTOMER PN: TBD
 APPROVED BY: _____
 DATE: _____

This document embodies a product, component, and/or design proprietary to JUDCO MANUFACTURING INC., and which is protected either as a trade secret, by U.S. Patent, or by copyright. It may not be used in any way without written express consent of JUDCO MANUFACTURING INC.

DIMENSIONS IN INCHES
 DIMENSIONS ARE REFERENCE

DRAWN: DC 12-27-07
 APPR: KJ 12-27-07
 ENG: IS 12-27-07

1415U1277A.DWG

HARBOR CITY CALIFORNIA

OUTLINE

J-987-2 W/BENT TERMINALS

DWG. NO. 1415-1277

SHEET 1 OF 1