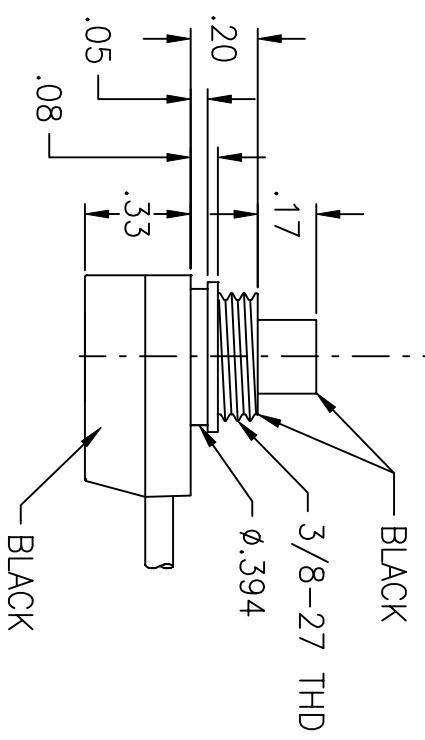
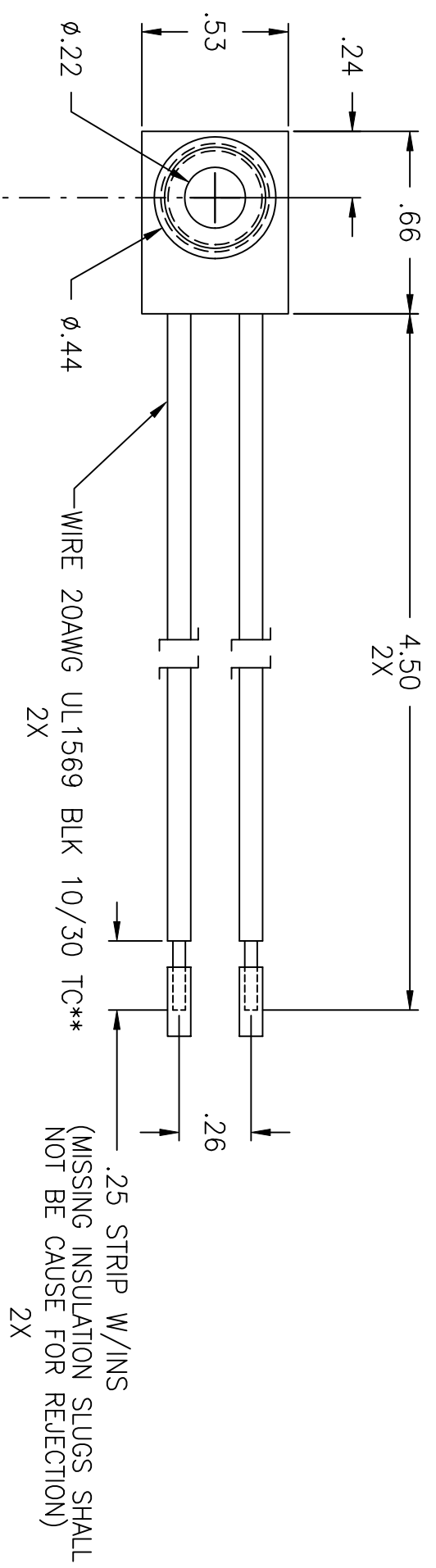


LTR	EN	DESCRIPTION	APPR	BY	DATE
A	-	INITIAL RELEASE	MT	NH	10-31-08



JUDCO INVENTORY NO. 40-4692-00
 SWITCH TYPE: MOMENTARY, NORMALLY OPEN
 NUT INCLUDED

CUSTOMER:
 CUSTOMER PN:
 APPROVED BY: _____
 DATE: _____

DIMENSIONS IN INCHES DIMENSIONS ARE REFERENCE		
DRAWN: NH	10-31-08	
APPR: KJ	10-31-08	
ENG: IS	10-31-08	
1415U1288A.DWG		TITLE: J-188B-2 MOMENTARY DWG. NO.: 1415-1288 SHEET: 1 OF 1

This document embodies a product, component, and/or design proprietary to JUDCO MANUFACTURING INC., and which is protected either as a trade secret, by U.S. Patent, or by copyright. It may not be used in any way without written consent of JUDCO MANUFACTURING INC.