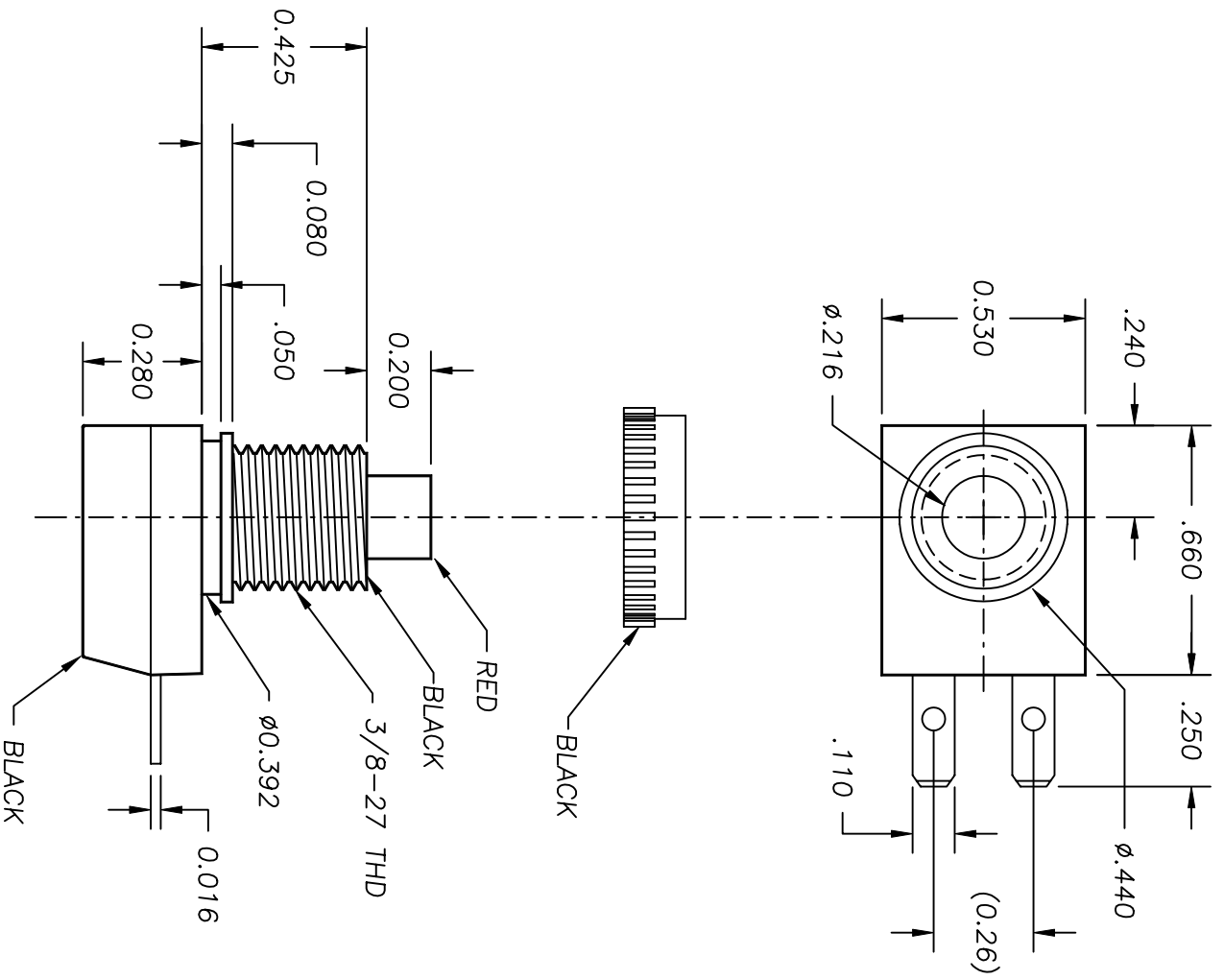


LTR	EN	DESCRIPTION	APPR	BY	DATE
A	-	INITIAL RELEASE	RB	EM	2-03-04



JUDCO INVENTORY NO. 40-1673-01
 SWITCH TYPE: MOMENTARY, NORMALLY OPEN
 NUTS PACKED SEPARATELY

CUSTOMER: DIGI KEY
 CUST. PN: 502 PB-ND
 APPROVED BY: _____
 DATE: _____

DIMENSIONS IN INCHES
 DIMENSIONS ARE REFERENCE

DRAWN: EM 02-03-04
 APPR: KJ 02-03-04

1415US560A.DWG

HARBOR CITY CALIFORNIA

OUTLINE
 J-188A-2

DWG. NO. 1415-560

SHEET 1 OF 1

This document embodies a product, component, and/or design proprietary to JUDCO MANUFACTURING INC., and which is protected either as a trade secret, by U.S. Patent, or by copyright. It may not be used in any way without written express consent of JUDCO MANUFACTURING INC.