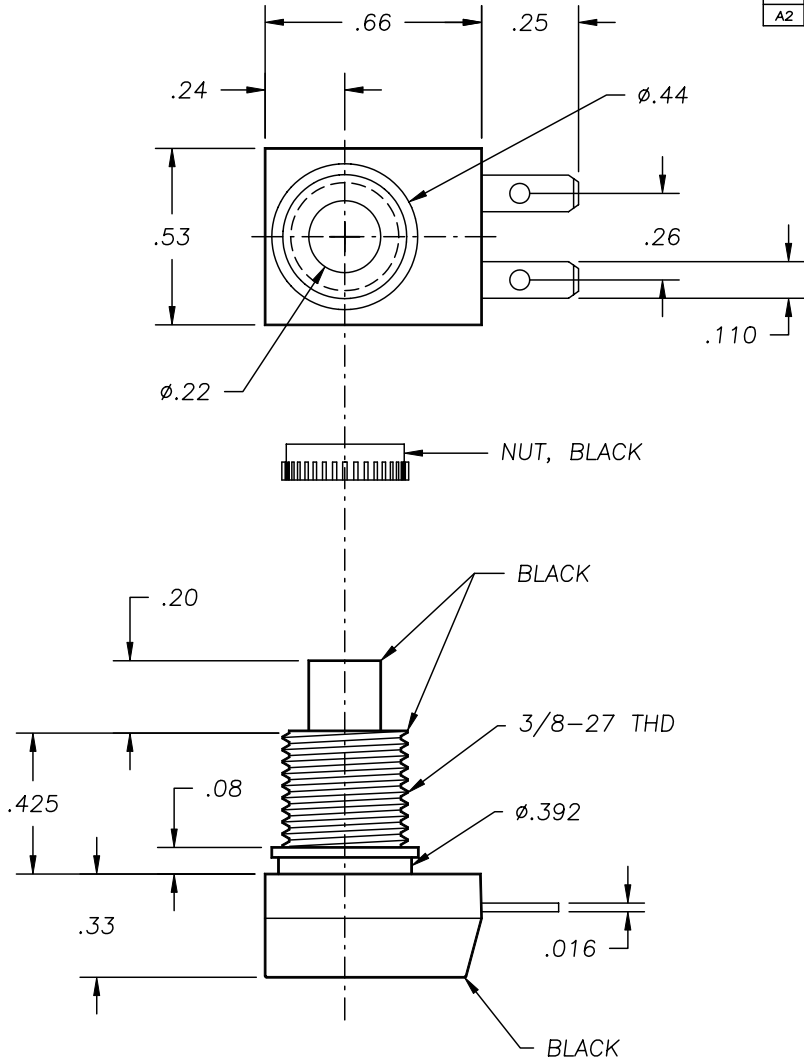



LTR	EN	DESCRIPTION	APPR	BY	DATE
A	-	INITIAL RELEASE	RB	EM	09-19-06
A1	-	ADDED ELECTRICAL RATING ON SWITCH DESCRIPTION.	RB	DC	11-06-06
A2	-	ADDED CUSTOMER'S PART NUMBER.	RB	DC	01-16-07



JUDCO INVENTORY NO. 40-4532-00
 SWITCH TYPE: PUSH ON-PUSH OFF, SPST
 NUT PACKED SEPARATELY

CUSTOMER: DIGI-KEY
 CUSTOMER PN: 544PB-ND
 APPROVED BY: _____
 DATE: _____

DIMENSIONS IN INCHES DIMENSIONS ARE REFERENCE	 HARBOR CITY CALIFORNIA	
	TITLE J-188A-1 W/STR TRMS	
DRAWN: EM 09-19-06	DWG. NO. 1415-1030	
APPR: KJ 01-16-07	SHEET 1 OF 1	
1415U1030A2.DWG		

This document embodies a product, component, and/or design proprietary to JUDCO MANUFACTURING INC., and which is protected either as a trade secret, by U.S. Patent, or by copyright. It may not be used in any way without written express consent of JUDCO MANUFACTURING INC.