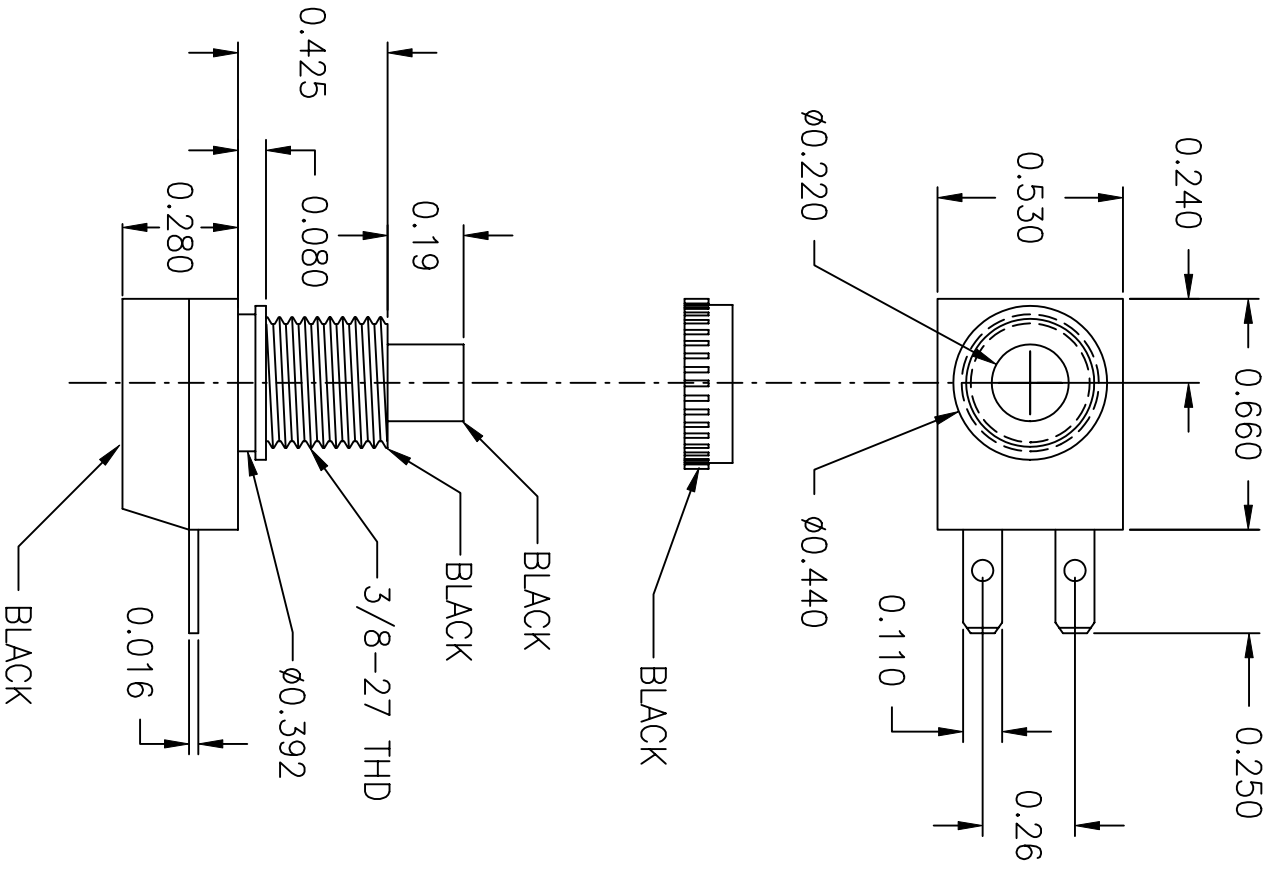


LTR	EN	DESCRIPTION	APPR	BY	DATE
A	-	INITIAL RELEASE	RB	EM	2-09-04



JUDCO INVENTORY NO. 40-2502-01
 SWITCH TYPE: PUSH ON-PUSH OFF, SPDT
 NUTS PACKED SEPARATELY

CUSTOMER: DIGI KEY
 CUST. PN: 508 PB-ND

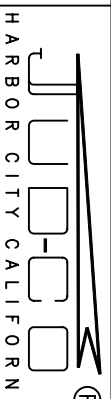
APPROVED BY: _____
 DATE: _____

DIMENSIONS IN INCHES
 DIMENSIONS ARE REFERENCE

DRAWN: EM 02-09-04

APPR: KJ 02-09-04

1415US566A.DWG



TITLE
 OUTLINE
 J-188A-1

DWG. NO. 1415-566

SHEET 1 OF 1

This document embodies a product, component, and/or design proprietary to JUDCO MANUFACTURING INC., and which is protected either as a trade secret, by U.S. Patent, or by copyright. It may not be used in any way without written express consent of JUDCO MANUFACTURING INC.