

# MICRO SWITCH

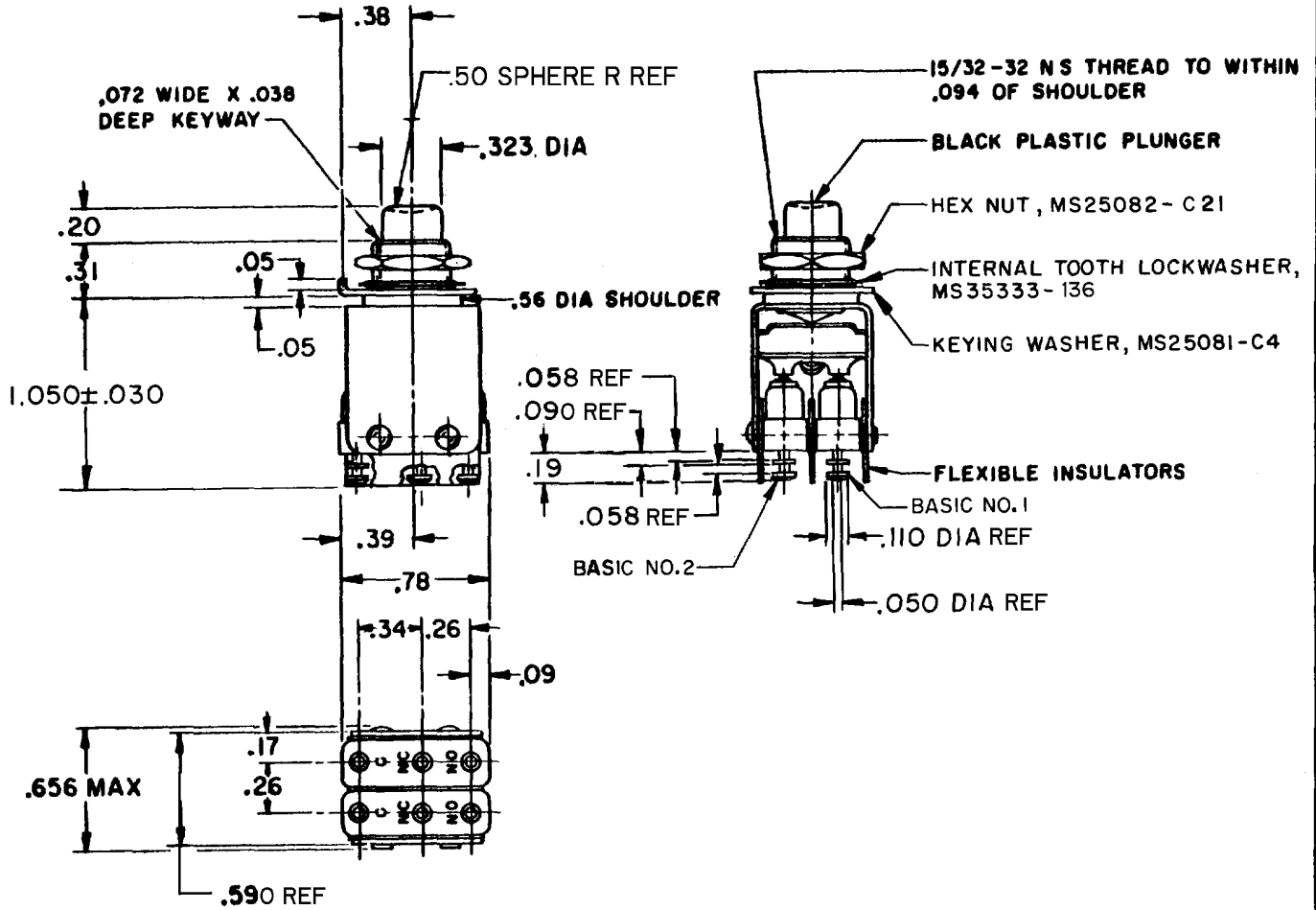
FREERPORT ILLINOIS, U.S.A  
A DIVISION OF HONEYWELL  
FED. MFG. CODE 91929

# ASSEMBLY - PUSHBUTTON SWITCH

CATALOG LISTING  
**2PB732-T2**

MILITARY P/N  
M8805 / 23-001

2PB732-T2  
 PAGE 1 OF 1  
 M  
 DRAWING NUMBER  
 10  
 ISSUE  
 REVISIONS  
 A SRI2939 M B F 9 AUG 67  
 B CO26314 S R H 4 SEPT 69  
 C CO26040 M B S 6 OCT 69  
 D CO27631 O M W 19 JUN 70  
 E CO27719 M B S 10 AUG 70  
 F CO32757 R E R 28 NOV 73  
 G CO-93593 P P F 26 OCT 98  
 H CO-94273 G J W 15 APR 99  
 FORMTEK  
 FO-80378-1A  
 DRAWN  
 M B F 9 AUG 67  
 CHECK  
 L S D 9 AUG 67  
 CHECK  
 J A F 26 OCT 98  
 CHECK  
 O M W 19 JUN 70  
 CHECK  
 S R I 2939  
 RELEASE NO.



### NOTES

- 1 - UNIT INCLUDES MS 25085-2 TYPE BASIC SWITCH (2)
- 2 - TERMINALS ARE PLATED FOR SOLDERING
- 3 - SWITCHES DO NOT NECESSARILY OPERATE SIMULTANEOUSLY

THIS DRAWING COVERS A PROPRIETARY ITEM AND IS THE PROPERTY OF MICRO SWITCH, A DIVISION OF HONEYWELL. THIS DRAWING IS NOT TO BE COPIED OR USED WITHOUT THE APPROVAL OF MICRO SWITCH.

### CHARACTERISTICS

OPERATING FORCE — — — 4.5 LB MAX  
TOTAL TRAVEL — — — .100 APPROX

### ELECTRICAL DATA

CONTACT ARRANGEMENT  
S P D T (2)

	SEA LEVEL		50,000 FT.
	28 VDC	115 VAC	28 VDC
LOAD	5	5	5
RESISTIVE	3	5	2.5
INDUCTIVE	2.4	1.5	2.4

SCALE FULL

DO NOT SCALE PRINT

UNLESS OTHERWISE NOTED  
DIMENSIONS ARE IN INCHES

**TOLERANCES ARE:**  
ONE PLACE (.0) ±.030  
TWO PLACE (.00) ±.015  
THREE PLACE (.000) ±.005  
ANGLES ±

WEIGHT .055 LB MAX