



MICRO SWITCH

FREEPORT, ILLINOIS, U.S.A.
A DIVISION OF HONEYWELL

FED. MFG. CODE 91929

ASSEMBLY - PUSHBUTTON SWITCH

CATALOG LISTING

2PB11

FORMTEK FC-50379

DRAWN M B F 12 FEB 65

CHECK L S D 19 FEB 65

CHECK J A F 22 OCT 98

CHECK J A F 22 OCT 98

ISSUE 16

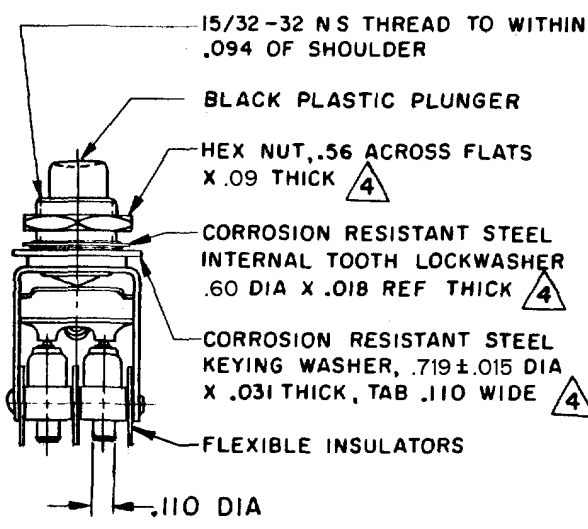
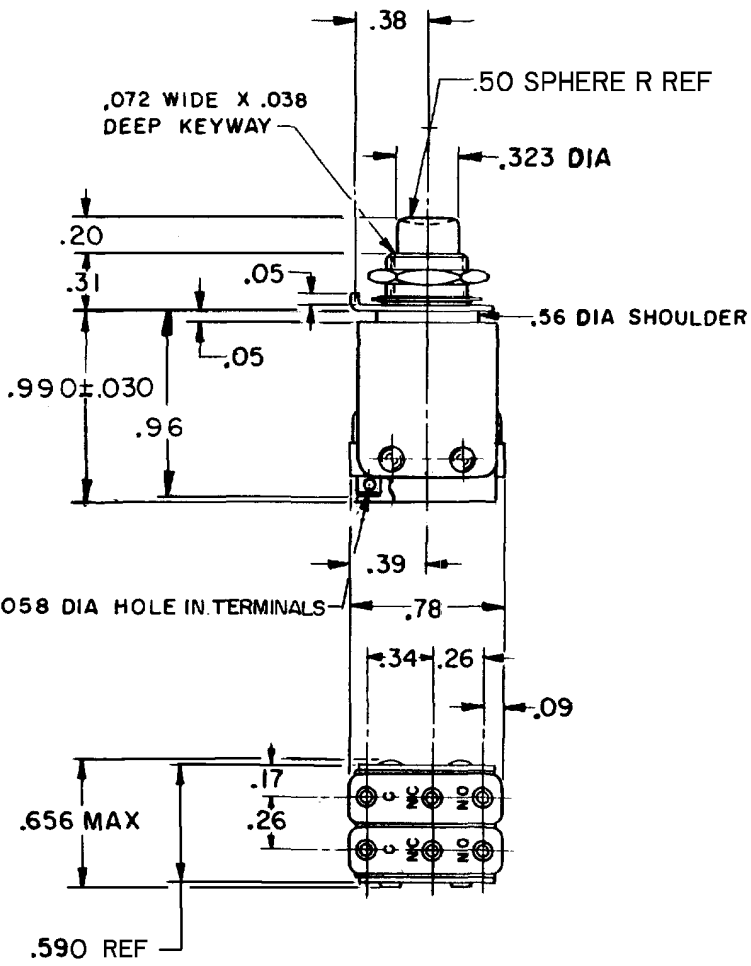
DRAWING NUMBER M 2PB11

PAGE 1 OF 1

REPLACES

RELEASE NO.

REVISIONS	
A	CO 19800 M B F 12 FEB 65
B	CO 21022 M B F 22 FEB 66
C	CO 30742 R E R 2 OCT 72
D	CO 31782 D B W 16 MAR 73
E	CO-93593 P P F 22 OCT 98
F	CO-94273 G J W 15 APR 99



NOTES

- 1 - UNIT INCLUDES "IISM" TYPE BASIC SWITCH (2)
- 2 - TERMINALS ARE PLATED FOR SOLDERING
- 3 - SWITCHES DO NOT NECESSARILY OPERATE SIMULTANEOUSLY
- ⁴ MOUNTING HARDWARE FURNISHED UNASSEMBLED

THIS DRAWING COVERS A PROPRIETARY ITEM AND IS THE PROPERTY OF MICRO SWITCH, A DIVISION OF HONEYWELL. THIS DRAWING IS NOT TO BE COPIED OR USED WITHOUT THE APPROVAL OF MICRO SWITCH.

CHARACTERISTICS	ELECTRICAL DATA	SCALE FULL
OPERATING FORCE — — 30 OZ APPROX	CONTACT ARRANGEMENT S P D T (2)	DO NOT SCALE PRINT
PRETRAVEL — — — — .040 APPROX	250 VAC — — — — — 5 AMP	UNLESS OTHERWISE NOTED
DIFFERENTIAL TRAVEL — — — .050 MAX	30 VOLTS DC RATING	DIMENSIONS ARE IN INCHES
ⓑ TOTAL TRAVEL — — — — .110 APPROX	INDUCTIVE — — — — SEA LEVEL — — — 3 AMP	TOLERANCES ARE:
	50,000 FT — — — 2.5 AMP	ONE PLACE (.0) ± .030
	RESISTIVE — — — — SEA LEVEL — — — 5 AMP	TWO PLACE (.00) ± .015
	50,000 FT — — — 5 AMP	THREE PLACE (.000) ± .005
	MAXIMUM INRUSH — — — — — 24 AMP	ANGLES ±
		WEIGHT