



- Rear mounting for easier installation
- Latching action metal models
- Fixed or variable panel thickness
- Illuminated or non-illuminated
- Flat actuator for optional marking
- Sealed to IP67

| ENVIRONMENTAL AND GENERAL SPECIFICATIONS  |
|---|
| <ul style="list-style-type: none"> <li>• Degree of protection : IP67</li> <li>• Temperature range : -40°C to +85°C</li> <li>• Total travel : 2,5 mm (.098)</li> <li>• Mechanical life : 200.000 cycles</li> </ul> |

| MATERIALS  |
|--|
| <ul style="list-style-type: none"> <li>• Case : thermoplastic UL94-V0</li> <li>• Plunger : polyamide</li> <li>• Bushing/bezel : brass, nickel plated</li> <li>• Contacts : silver, gold plated</li> <li>• Multi-wire lead AWG20, section 0,6 mm<sup>2</sup></li> <li>• LED wire : AWG26, section 0,12 mm<sup>2</sup></li> <li>• Lens : polycarbonate</li> <li>• Terminal seal : epoxy</li> </ul> |

| ELECTRICAL SPECIFICATIONS   |                 |                      |                      |                      |                 |      |       |       |              |      |    |       |             |      |      |       |            |      |      |    |
|---|-----------------|----------------------|----------------------|----------------------|-----------------|------|-------|-------|--------------|------|----|-------|-------------|------|------|-------|------------|------|------|----|
| <ul style="list-style-type: none"> <li>• Max. current/voltage rating with resistive load : 100mA 24VDC - 200.000 cycles</li> <li>• Initial contact resistance : 100 mΩ max.</li> <li>• Insulation resistance : 1 GΩ min. at 500VDC</li> <li>• Dielectric strength : 1.500 Vrms between terminals<br/>1.000 Vrms between terminals and frame</li> </ul>  |                 |                      |                      |                      |                 |      |       |       |              |      |    |       |             |      |      |       |            |      |      |    |
| LED COMPONENT SPECIFICATIONS  |                 |                      |                      |                      |                 |      |       |       |              |      |    |       |             |      |      |       |            |      |      |    |
| <table border="1"> <thead> <tr> <th>LED colour</th> <th>Forward current</th> <th>Typ. forward voltage</th> <th>Max. forward voltage</th> </tr> </thead> <tbody> <tr> <td>Super red (LOS)</td> <td>20mA</td> <td>1,95V</td> <td>1,95V</td> </tr> <tr> <td>Yellow (LOY)</td> <td>20mA</td> <td>2V</td> <td>2,05V</td> </tr> <tr> <td>Green (LOG)</td> <td>20mA</td> <td>3,2V</td> <td>3,70V</td> </tr> <tr> <td>Blue (LOB)</td> <td>20mA</td> <td>3,2V</td> <td>4V</td> </tr> </tbody> </table> | LED colour      | Forward current      | Typ. forward voltage | Max. forward voltage | Super red (LOS) | 20mA | 1,95V | 1,95V | Yellow (LOY) | 20mA | 2V | 2,05V | Green (LOG) | 20mA | 3,2V | 3,70V | Blue (LOB) | 20mA | 3,2V | 4V |
| LED colour  | Forward current | Typ. forward voltage | Max. forward voltage |                      |                 |      |       |       |              |      |    |       |             |      |      |       |            |      |      |    |
| Super red (LOS)   | 20mA            | 1,95V                | 1,95V                |                      |                 |      |       |       |              |      |    |       |             |      |      |       |            |      |      |    |
| Yellow (LOY)  | 20mA            | 2V                   | 2,05V                |                      |                 |      |       |       |              |      |    |       |             |      |      |       |            |      |      |    |
| Green (LOG)   | 20mA            | 3,2V                 | 3,70V                |                      |                 |      |       |       |              |      |    |       |             |      |      |       |            |      |      |    |
| Blue (LOB)  | 20mA            | 3,2V                 | 4V                   |                      |                 |      |       |       |              |      |    |       |             |      |      |       |            |      |      |    |
| <p>A resistor must be series-connected by the user.<br/>                     Resistor value = <math>\frac{\text{supply voltage} - \text{LED forward voltage}}{\text{LED forward current}}</math><br/>                     On flying lead versions, the LED resistor can be integrated by APEM on request.</p>   |                 |                      |                      |                      |                 |      |       |       |              |      |    |       |             |      |      |       |            |      |      |    |

**Dimensions** : First dimensions are in mm while inches are shown as bracketed numbers.

**Tolerance** : The general tolerance for dimensions in this brochure is ± 0,3 (.012).

Overall dimension tolerance is ± 0,5 (.020).

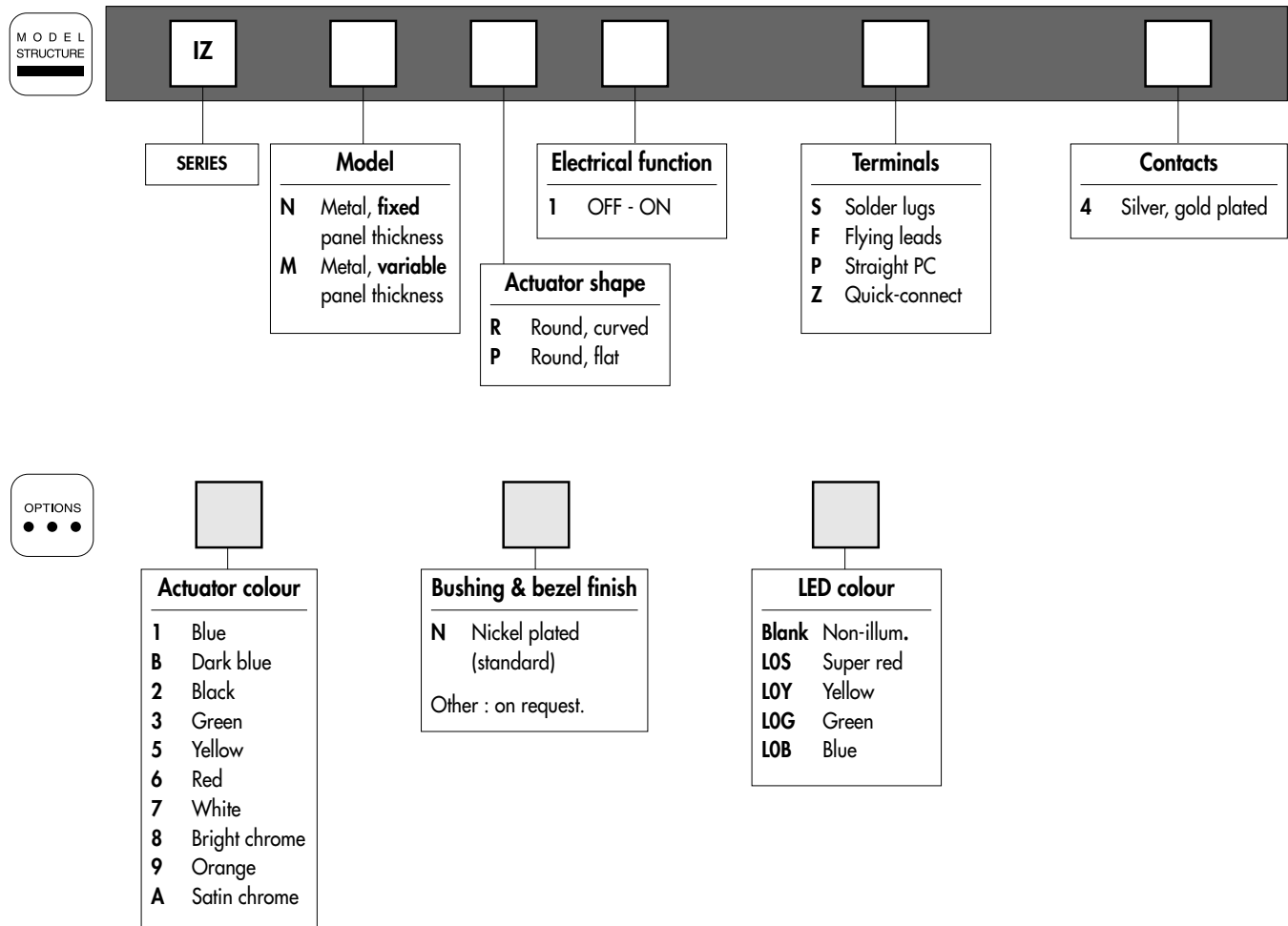
Dimensions, specifications and data shown in this catalogue are subject to change without notice.

# IZ series

Preliminary

Rear mounted sealed pushbutton switches - bushing Ø 16 - metal - latching

## Overview



### ABOUT THIS SERIES

On the following pages, you will find successively :  
model structure of switches and options in the same order as in above chart

**Dimensions** : first dimensions are in mm while inches are shown as bracketted numbers.



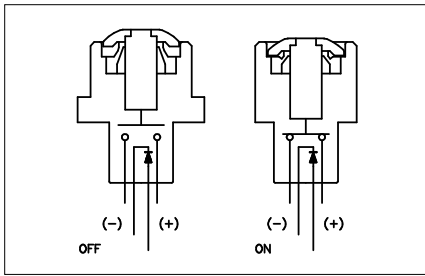
**NOTICE** : please note that not all combinations of above numbers are available. Refer to the following pages for further information.



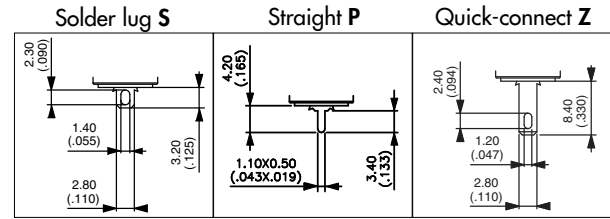
**Mounting accessories** : Standard hardware supplied :  
- IZN : 1 castellated nickel plated brass nut U6911 + 1 O-ring  
- IZM : 1 castellated nickel plated brass nut U6911 + 1 silicone flat seal + 1 hex nut 19 mm (.748) across flats U4116.



**Packaging unit** : 25 pieces for flying lead models - 40 pieces for other models



- Four LED colours
- Tin plated LED terminals
- Gold plated contacts



**MODEL STRUCTURE**



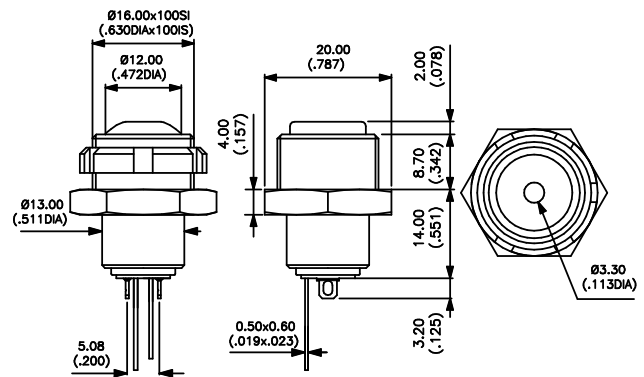
Plunger marking available on IZ•P models (symbol 10 mm max.). On request.

### Fixed panel thickness - solder lug terminals

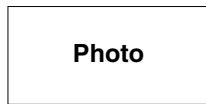


- Curved actuator  
**IZNR1S4**      OFF - ON
- Flat actuator  
**IZNP1S4**      OFF - ON

Also available with straight PC terminals :  
**IZN•1P4** & quick-connect terminals : **IZN•1Z4**.

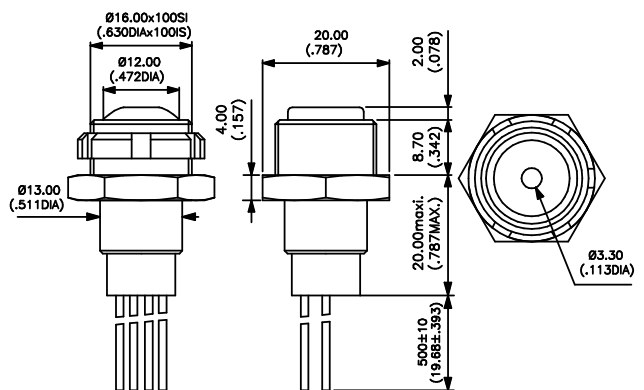


### Fixed panel thickness - flying lead terminals



- Curved actuator  
**IZNR1F4**      OFF - ON
- Flat actuator  
**IZNP1F4**      OFF - ON

Wire colours : black : contact,  
red : LED anode(+), blue : LED cathode (-)

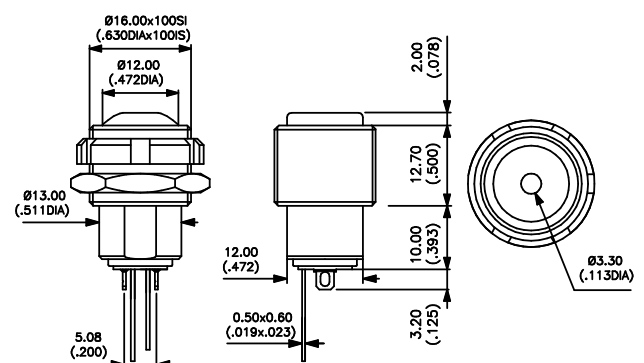


### Variable panel thickness - solder lug terminals



- Curved actuator  
**IZMR1S4**      OFF - ON
- Flat actuator  
**IZMP1S4**      OFF - ON

Also available with straight PC terminals :  
**IZM•1P4** & quick-connect terminals : **IZM•1Z4**.



# IZ series

Preliminary

Rear mounted sealed pushbutton switches - bushing Ø 16 - metal - latching

Illuminated

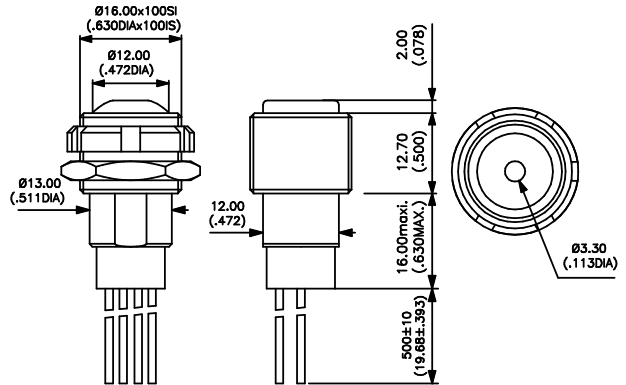
## Variable panel thickness - flying lead terminals



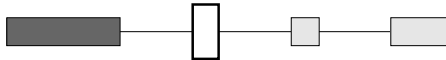
Curved actuator  
**IZMR1F4**      OFF - ON

Flat actuator  
**IZMP1F4**      OFF - ON

Wire colours : black : contact,  
red : LED anode(+), blue : LED cathode (-)

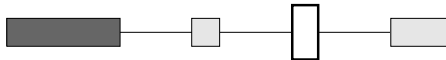


### ACTUATOR COLOUR



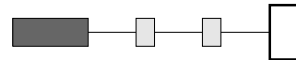
1 : blue - B : dark blue - 2 : black - 3 : green - 5 : yellow - 6 : red - 7 : white - 8 : bright chrome - 9 : orange  
A : satin chrome

### BUSHING AND BEZEL COLOUR



N : nickel plated (standard)  
Other : on request.

### LED COLOUR



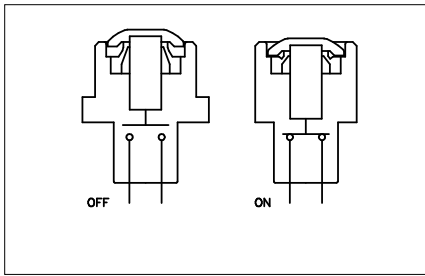
LOS : super red - LOY : yellow - LOG : green  
LOB : blue

Preliminary

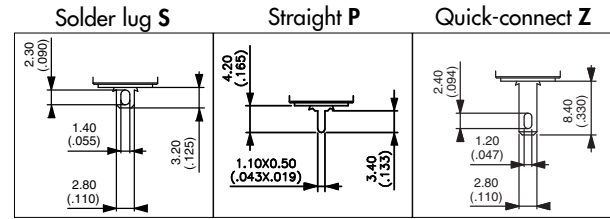
# IZ series

Rear mounted sealed pushbutton switches - bushing Ø 16 - metal - latching

Non-illuminated



• Gold plated contacts



MODEL STRUCTURE



Plunger marking available on IZ•P models (symbol 10 mm max.). On request.

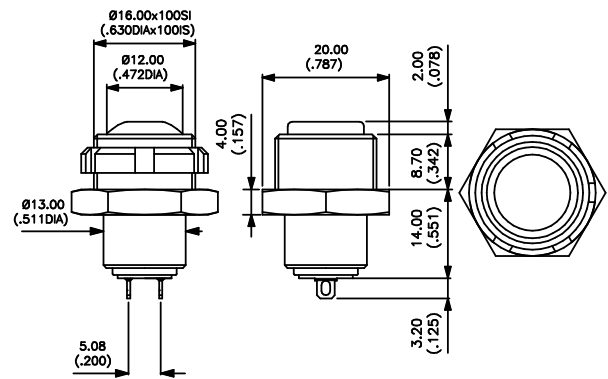
## Fixed panel thickness - solder lug terminals



Curved actuator  
**IZNR1S4**      OFF - ON

Flat actuator  
**IZNP1S4**      OFF - ON

Also available with straight PC terminals :  
**IZN•1P4** & quick-connect terminals : **IZN•1Z4**.



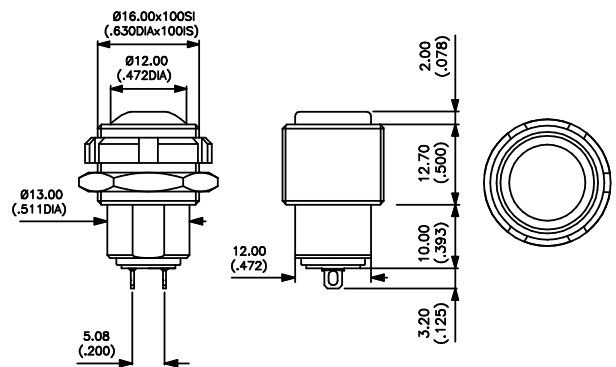
## Variable panel thickness - solder lug terminals



Curved actuator  
**IZMR1S4**      OFF - ON

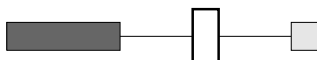
Flat actuator  
**IZMP1S4**      OFF - ON

Also available with straight PC terminals :  
**IZM•1P4** & quick-connect terminals : **IZM•1Z4**.



For FLYING LEAD versions, refer to previous pages (illuminated models). Non-illuminated have 2 wires only.

### ACTUATOR COLOUR



1 : blue - B : dark blue - 2 : black - 3 : green - 5 : yellow - 6 : red - 7 : white - 8 : bright chrome - 9 : orange  
A : satin chrome

### BUSHING AND BEZEL COLOUR



N : nickel plated (standard)  
Other : on request.



- Rear mounting for easier installation
- Momentary models
- Illuminated or non-illuminated
- Flat actuator for optional marking
- Sealed to IP67
- Screw version available up to 4A

### ENVIRONMENTAL AND GENERAL SPECIFICATIONS

- Degree of protection : IP67
- Temperature range : -40°C to +85°C
- Total travel : 1,7 mm (.067)
- Mechanical life : 1.000.000 cycles

### ELECTRICAL SPECIFICATIONS

- Max. current/voltage rating with resistive load :
  - Gold plated silver contacts (code 4) : 200mA 48VDC - 200mA 250VAC
  - Silver contacts (code 2) - screw terminals : 2A 250VAC - 4A 48VDC
- Electrical life at full load : 500.000 cycles
- Initial contact resistance : 100 mΩ max.
- Insulation resistance : 1 GΩ min. at 500VDC
- Dielectric strength : 1.000 Vrms 50 Hz

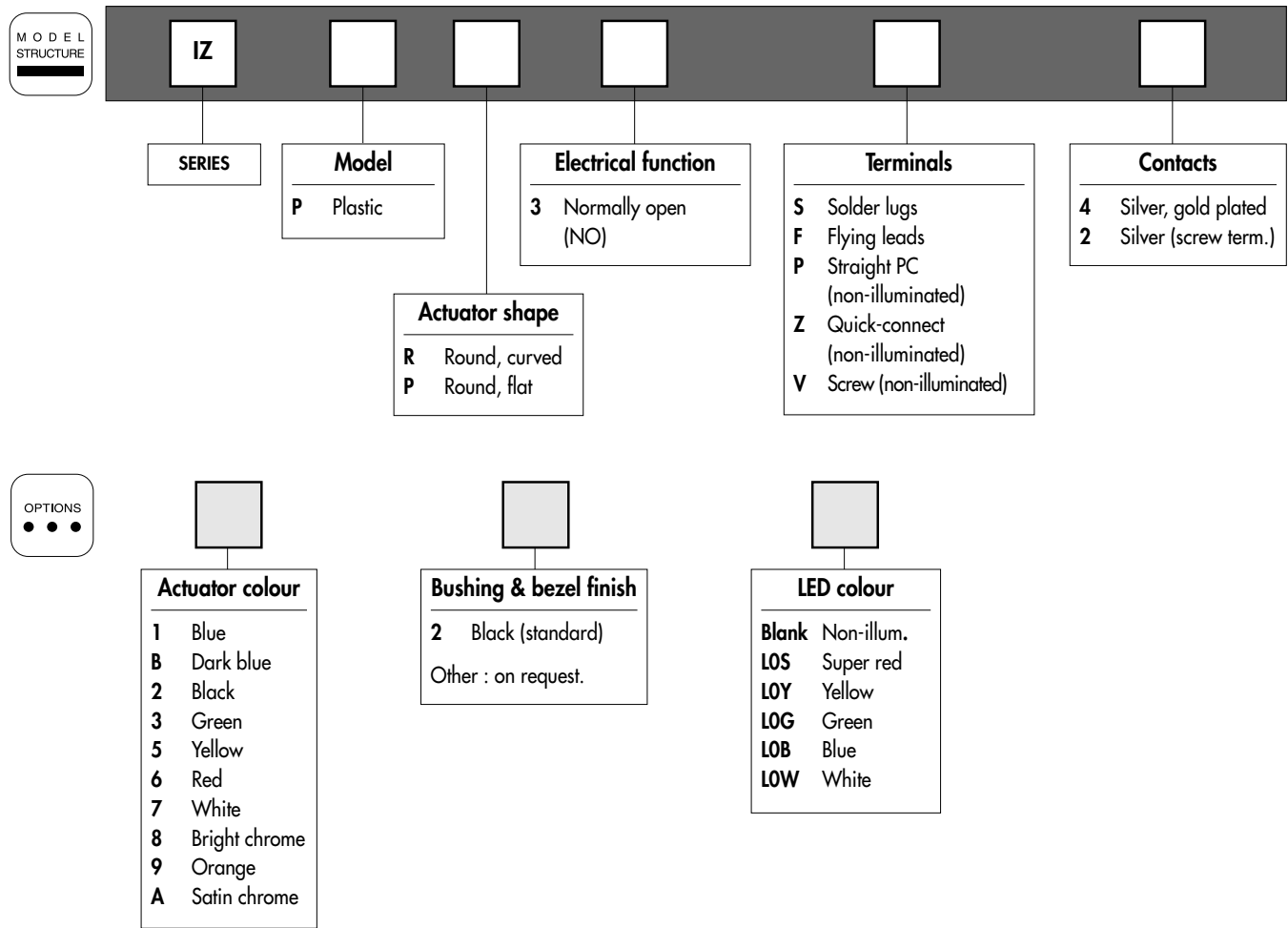
### LED COMPONENT SPECIFICATIONS

| LED colour      | Forward current | Typ. forward voltage | Max. forward voltage |
|-----------------|-----------------|----------------------|----------------------|
| Super red (LOS) | 20mA            | 2,1V                 | 2,3V                 |
| Yellow (LOY)    | 20mA            | 2,1V                 | 2,3V                 |
| Green (LOG)     | 20mA            | 2,1V                 | 2,3V                 |
| Blue (LOB)      | 20mA            | 3,2V                 | 3,8V                 |
| White (LOW)     | 20mA            | 3,35V                | 4,25V                |

A resistor must be series-connected by the user.  
 Resistor value =  $\frac{\text{supply voltage} - \text{LED forward voltage}}{\text{LED forward current}}$   
 On flying lead versions, the LED resistor can be integrated by APEM on request.

### MATERIALS

- Case : thermoplastic UL94-V0
- Plunger : polyamide
- Bushing/bezel : polyamide
- Contacts :
  - 4 : silver, gold plated
  - 2 : silver (screw terminals)
- Multi-wire lead AWG20, section 0,6 mm<sup>2</sup>
- LED wire : AWG26, section 0,12 mm<sup>2</sup>
- Lens : polycarbonate
- Terminal seal : epoxy



### ABOUT THIS SERIES

On the following pages, you will find successively :  
model structure of switches and options in the same order as in above chart

**Dimensions :** first dimensions are in mm while inches are shown as bracketted numbers.



**NOTICE :** please note that not all combinations of above numbers are available.  
Refer to the following pages for further information.



**Mounting accessories :** Standard hardware supplied : 1 castellated black plastic nut U4249 and 1 silicone flat seal.



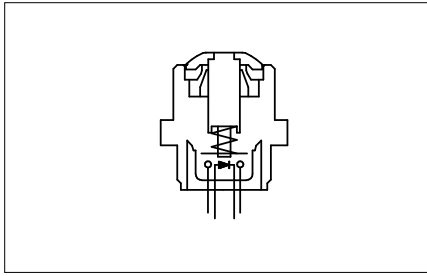
**Packaging unit :** 25 pieces for flying lead models - 40 pieces for other models

# IZ series

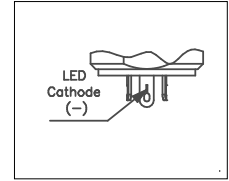
## Rear mounted sealed pushbutton switches - bushing Ø 16 - momentary

Preliminary

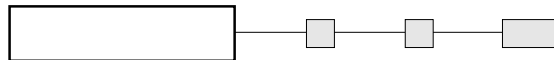
Illuminated



- Five LED colours
- Tin plated LED terminals
- Gold plated contacts



### MODEL STRUCTURE



Plunger marking available on IZPP models (symbol 10 mm max.). On request.

### Solder lug terminals

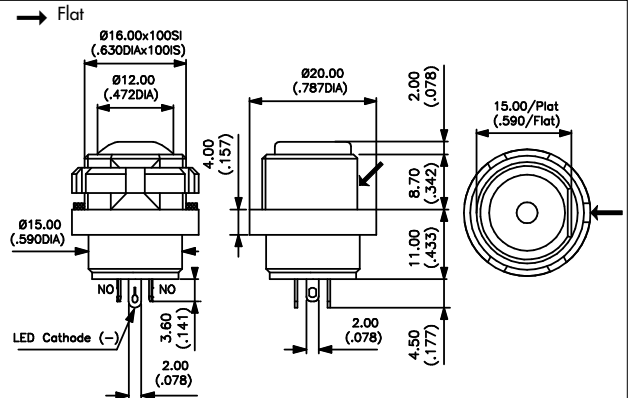


Curved actuator  
**IZPR3S4**

Normally Open

Flat actuator  
**IZPP3S4**

Normally Open



### Flying lead terminals - momentary



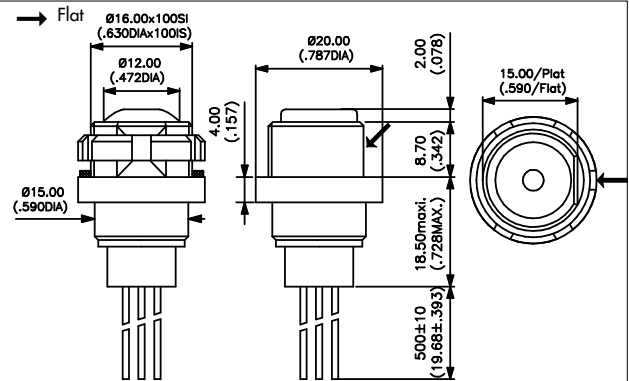
Curved actuator  
**IZPR3F4**

Normally Open

Flat actuator  
**IZPP3F4**

Normally Open

Wire colours : black : NO contact,  
red : LED anode(+), blue : LED cathode (-)

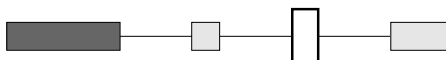


### ACTUATOR COLOUR



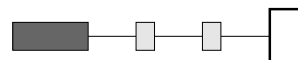
1 : blue - B : dark blue - 2 : black - 3 : green - 5 : yellow - 6 : red - 7 : white - 8 : bright chrome - 9 : orange  
A : satin chrome

### BUSHING AND BEZEL COLOUR



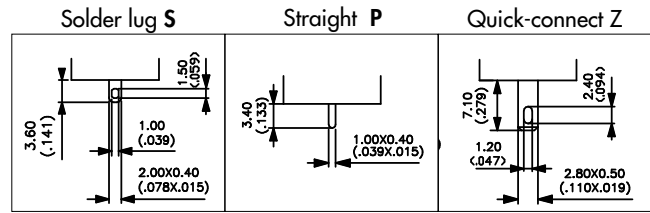
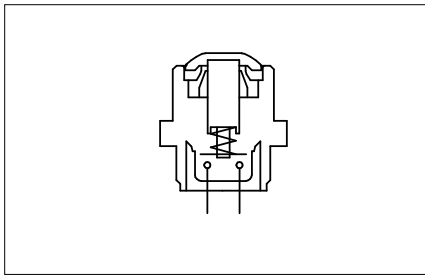
2 : black (standard)  
Other : on request.

### LED COLOUR

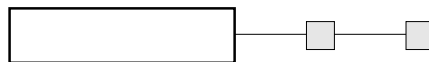


LOS : super red - LOY : yellow - LOG : green  
LOB : blue - LOW : white





**MODEL STRUCTURE**



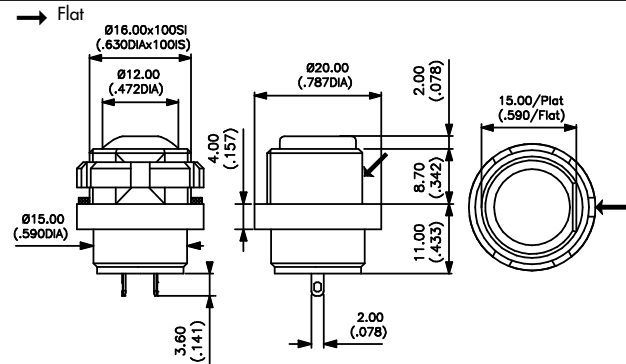
Plunger marking available on IZPP models (symbol 12 mm max.). On request.

### Solder lug terminals - gold plated contacts



- Curved actuator  
**IZPR3S4** Normally Open
- Flat actuator  
**IZPP3S4** Normally Open

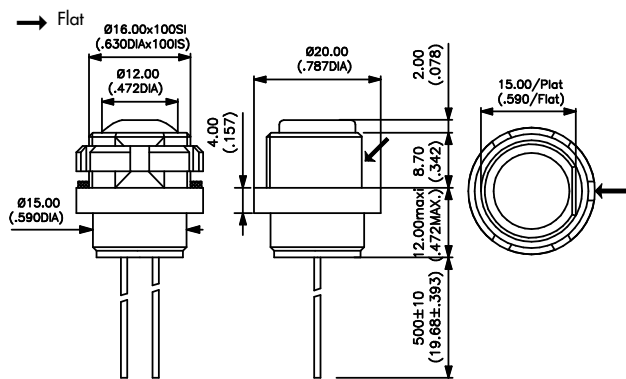
Also available with straight PC terminals : **IZP•3P4** and quick-connect terminals : **IZP•3Z4**.



### Sealed flying lead terminals - gold plated contacts



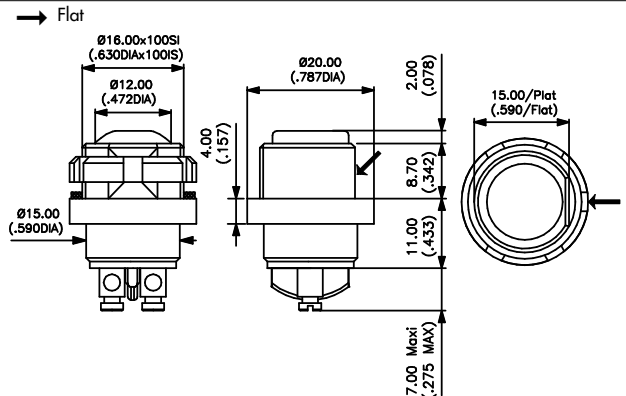
- Curved actuator  
**IZPR3F4** Normally Open
- Flat actuator  
**IZPP3F4** Normally Open



### Screw terminals - silver contacts



- Curved actuator  
**IZPR3V2** Normally open
- Flat actuator  
**IZPP3V2** Normally open



Actuator colour and bushing/bezel colour : select the desired codes on previous page.



- Rear mounting for easier installation
- Latching action models
- Illuminated or non-illuminated
- Flat actuator for optional marking
- Sealed to IP67

### ENVIRONMENTAL AND GENERAL SPECIFICATIONS

- Degree of protection : IP67
- Temperature range : -40°C to +85°C
- Total travel : 2,5 mm (.098)
- Mechanical life : 200.000 cycles

### ELECTRICAL SPECIFICATIONS

- Max. current/voltage rating with resistive load : 100mA 24VDC - 200.000 cycles
- Initial contact resistance : 100 mΩ max.
- Insulation resistance : 1 GΩ min. at 500VDC
- Dielectric strength : 1.500 Vrms between terminals

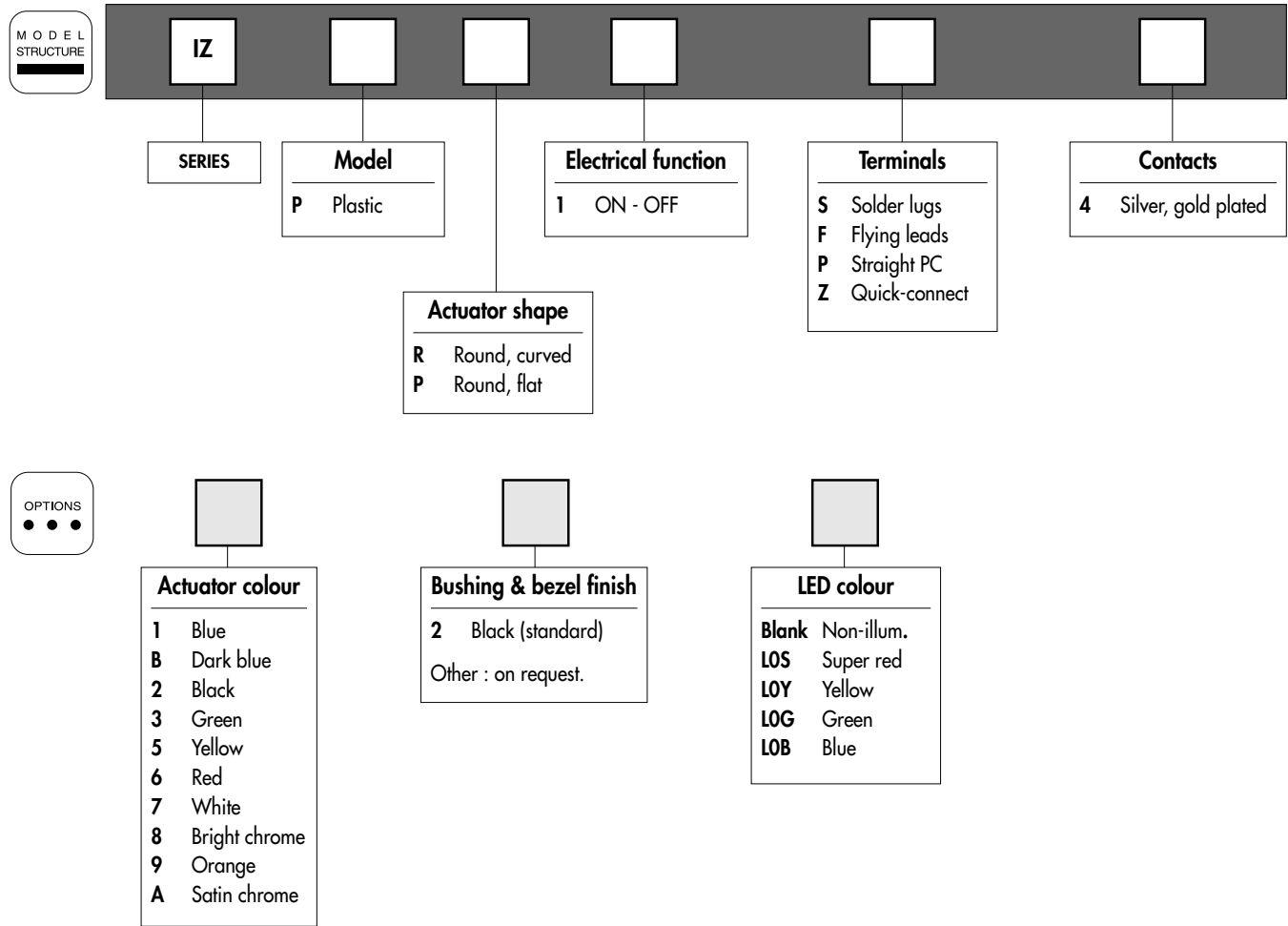
#### LED COMPONENT SPECIFICATIONS

| LED colour      | Forward current | Typ. forward voltage | Max. forward voltage |
|-----------------|-----------------|----------------------|----------------------|
| Super red (LOS) | 20mA            | 1,95V                | 1,95V                |
| Yellow (LOY)    | 20mA            | 2V                   | 2,05V                |
| Green (LOG)     | 20mA            | 3,2V                 | 3,70V                |
| Blue (LOB)      | 20mA            | 3,2V                 | 4V                   |

A resistor must be series-connected by the user.  
 Resistor value =  $\frac{\text{supply voltage} - \text{LED forward voltage}}{\text{LED forward current}}$   
 On flying lead versions, the LED resistor can be integrated by APEM on request.

### MATERIALS

- Case : thermoplastic UL94-V0
- Plunger : polyamide
- Bushing/bezel : polyamide
- Contacts : silver, gold plated
- Multi-wire lead AWG20, section 0,6 mm<sup>2</sup>
- LED wire : AWG26, section 0,12 mm<sup>2</sup>
- Lens : polycarbonate
- Terminal seal : epoxy



### ABOUT THIS SERIES

On the following pages, you will find successively :  
model structure of switches and options in the same order as in above chart

**Dimensions :** first dimensions are in mm while inches are shown as bracketted numbers.



**NOTICE :** please note that not all combinations of above numbers are available. Refer to the following pages for further information.



**Mounting accessories :** Standard hardware supplied : 1 castellated black plastic nut U4249 and 1 silicone flat seal.



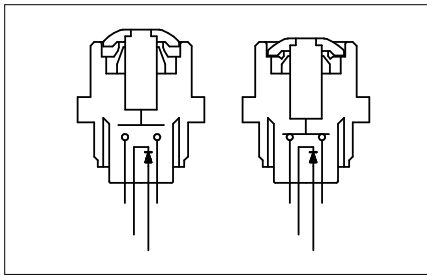
**Packaging unit :** 25 pieces for flying lead models - 40 pieces for other models

# IZ series

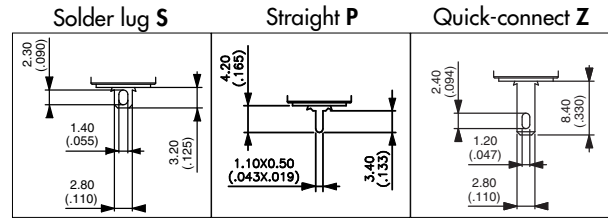
Preliminary

## Rear mounted sealed pushbutton switches - bushing Ø 16 - latching action

Illuminated



- Four LED colours
- Tin plated LED terminals
- Gold plated contacts



### MODEL STRUCTURE



Plunger marking available on IZPP models (symbol 10 mm max.). On request.

### Solder lug terminals



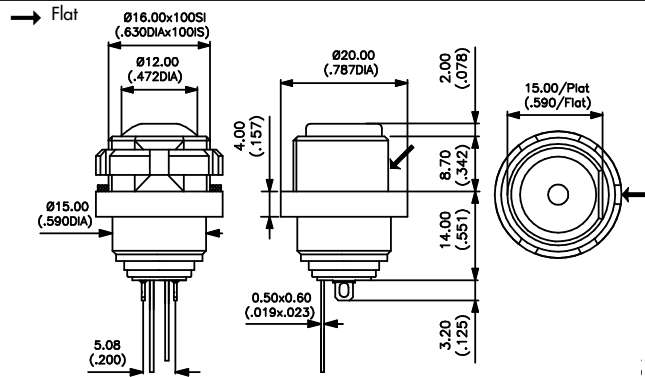
Curved actuator  
**IZPR1S4**

ON - OFF

Flat actuator  
**IZPP1S4**

ON - OFF

Also available with straight PC terminals :  
**IZP•1P4** and quick-connect terminals : **IZP•1Z4**.



### Sealed flying lead terminals



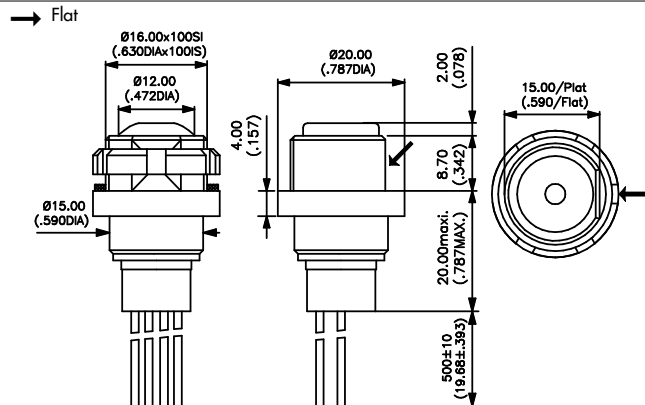
Curved actuator  
**IZPR1F4**

ON - OFF

Flat actuator  
**IZPP1F4**

ON - OFF

Wire colours : black : NO contact,  
red : LED anode(+), blue : LED cathode (-)

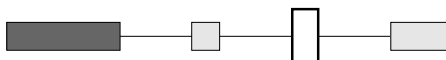


### ACTUATOR COLOUR



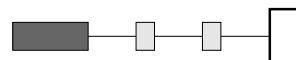
1 : blue - B : dark blue - 2 : black - 3 : green - 5 : yellow - 6 : red - 7 : white - 8 : bright chrome - 9 : orange  
A : satin chrome

### BUSHING AND BEZEL COLOUR

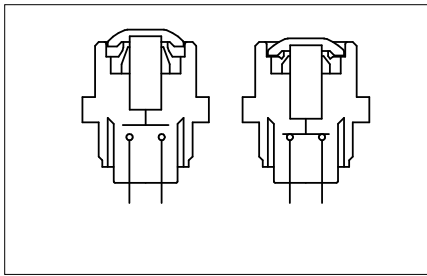


2 : black (standard)  
Other : on request.

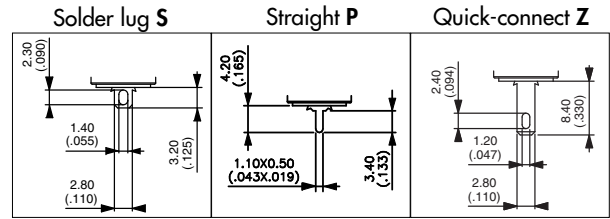
### LED COLOUR



LOS : super red - LOY : yellow - LOG : green  
LOB : blue



- Gold plated contacts



**MODEL STRUCTURE**



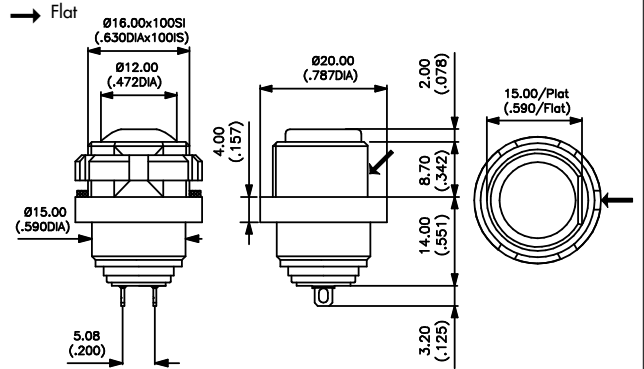
Plunger marking available on IZPP models (symbol 10 mm max.). On request.

**Solder lug terminals**



- Curved actuator **IZPR1S4** ON - OFF
- Flat actuator **IZPP1S4** ON - OFF

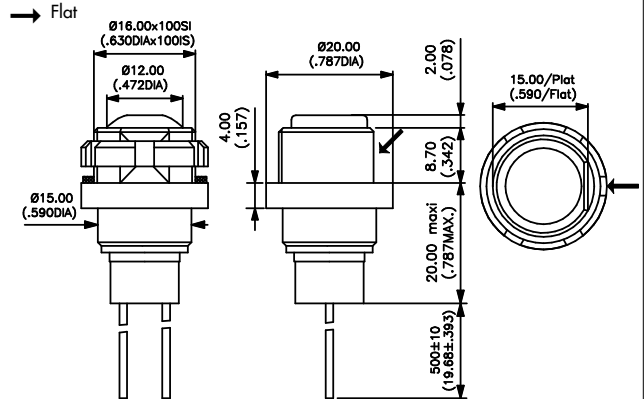
Also available with straight PC terminals : **IZP•1P4** and quick-connect terminals : **IZP•1Z4**.



**Sealed flying lead terminals**



- Curved actuator **IZPR1F4** ON - OFF
- Flat actuator **IZPP1F4** ON - OFF



**ACTUATOR COLOUR**



- 1 : blue - B : dark blue - 2 : black - 3 : green - 5 : yellow - 6 : red - 7 : white - 8 : bright chrome - 9 : orange
- A : satin chrome

**BUSHING AND BEZEL COLOUR**



- 2 : black (standard)
- Other : on request.