

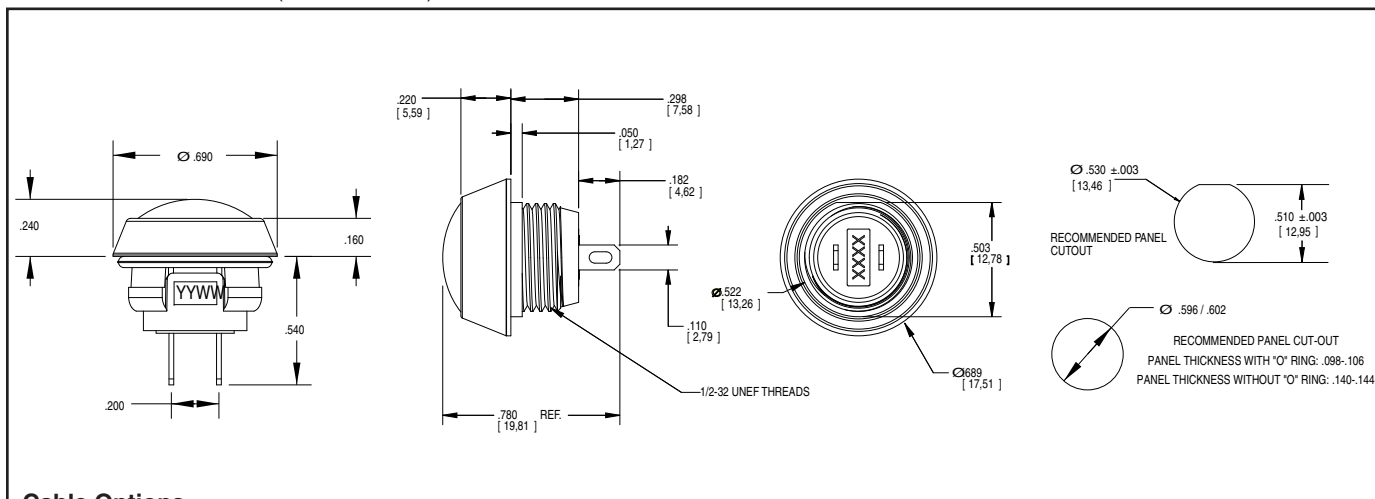
SERIES 30 Sealed, Front Panel Mounting

FEATURES

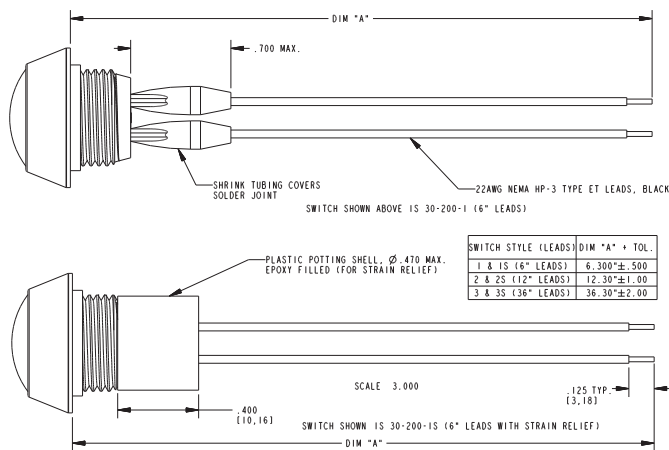
- Threaded bushing
- Choice of 6 button colors
- SPST (momentary contact)
- Gold plated contacts
- Strong, lightweight aluminum housing
- Sealed against dust and moisture to IP65 (to IP67 with silicone boot)



DIMENSIONS in inches (and millimeters)



Cable Options



RATING

Cycles: 500,000 actuations
Operating Temperature: -40°C to +80°C
Shock: 100 G's/6 milliseconds
Travel: .090 nominal
Travel Before Make: .035 nominal
Rating at 24 VDC: 150 milliamps
Voltage Breakdown: 1000 Vac
Contact Resistance: 25 Megaohms max (initial)
Insulation Resistance: 1,000 Megaohms minimum

MATERIAL

Housing: Aluminum, black chrome finish
Button, Base, and Plunger: Nylon, 45% glass-filled
Terminal: Brass, gold-plated over nickel
Shorting Bar: Brass, gold-plated over nickel
Internal Seal: Silicone rubber
O-ring panel Seal: Silicone
Spring: Tinned music wire

CIRCUITRY SPST N.O.



ORDERING INFORMATION

