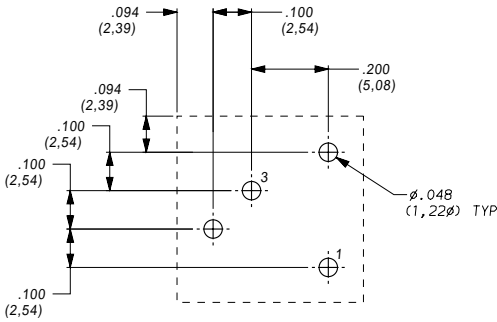
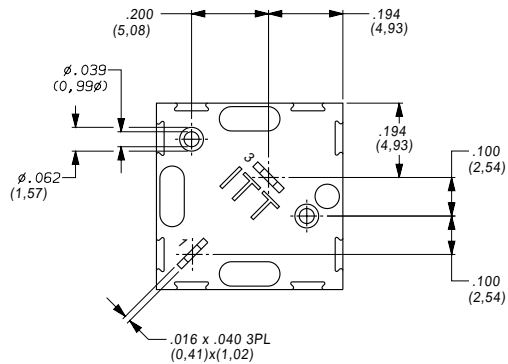
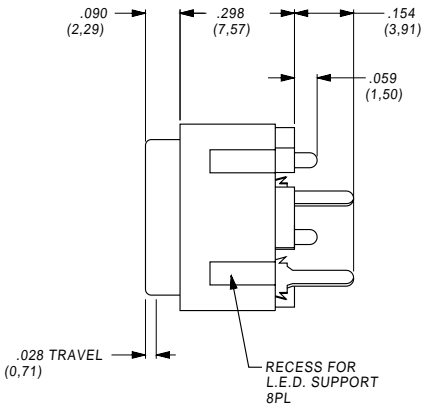
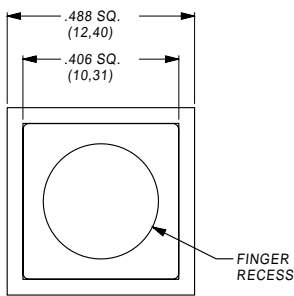
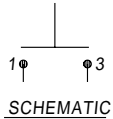


REVISIONS				A
ECN	SYM	DESCRIPTION	DATE	APPROVAL
	1	RELEASE TO PRODUCTION	6/2/04 KON	



POS.1	POS.2
OFF	MOM
TERMINALS CONNECTED	
OPEN	1,3



CAP COLOR
1 WHITE
2 BLACK(STD)
3 RED
7 BLUE

CAD FILE NO.: ks11r27cqd-ol_a

ALL DIMS. AND TOLS. PER ANSI Y14.5	UNLESS OTHERWISE SPECIFIED DIMENSIONS ARE IN INCHES	
THIS DOCUMENT AND THE INFORMATION IN IT IS THE EXCLUSIVE PROPERTY OF C&K COMPONENTS, INC. AND IS NOT TO BE USED OR DISCLOSED WITHOUT THE EXPRESS WRITTEN PERMISSION OF C&K COMPONENTS, INC.	TOLERANCES	
	DECIMAL	ANGULAR
	.XX±	± 5°
SCALE 4:1	DATE 9/11/03	
DRAWN K.ONEIL	APPROVED	
<input checked="" type="checkbox"/> CRITICAL - MUST COMPLY WITH C&K QUALIFICATION STD. CKQI0019 <input type="checkbox"/> MAJOR DIMENSION		

C&K P/N: KS11R27CQD

COMPONENTS, INC.

SHT.NO. OF REV. A