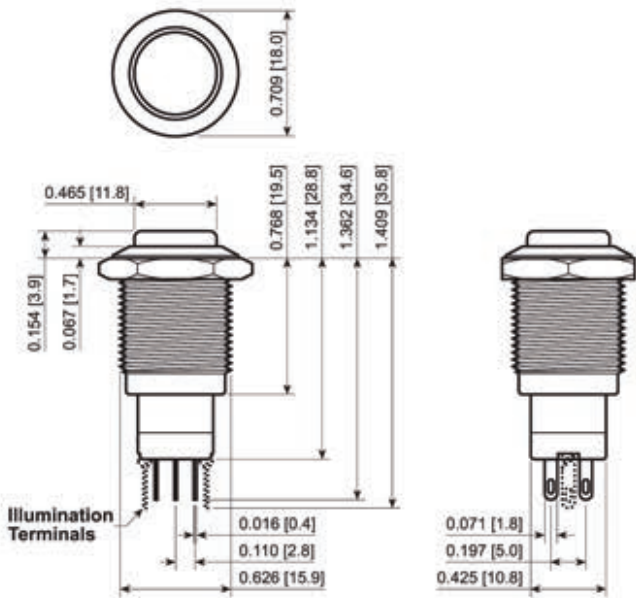
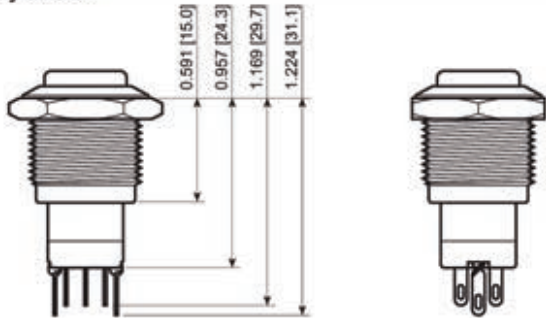


Long Body Version



Short Body Version



Suggested Panel Cutout

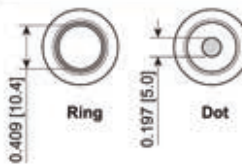


Maximum Panel Thickness:
 Long Body: 0.551 [14.0]
 Short Body: 0.394 [10.0]

Actuator Options



Illumination Options



FEATURES:

- Vandal and Water Resistant
- Many Function, Illumination, and Materials
- Long Life Expectancy

SPECIFICATIONS:

RATING: 2A 48VDC
ILLUMINATION BASE RATING:
 Red, Yellow, and Orange: 20mA 1.8V
 Blue, Green, and White: 20mA 2.8V
TEMPERATURE: -20°C to 70°C
ELECTRICAL LIFE: 50,000 Cycles
CONTACT RESISTANCE: 50mΩ Max. at 1A 12VDC
INSULATION RESISTANCE: 1,000MΩ Min.
DIELECTRIC STRENGTH: 2,000VAC for 1 Minute
INGRESS PROTECTION: IP40 / IP65

MATERIALS:

BUSHING: Gold Plated Brass
 Nickel Plated Brass
 Stainless Steel
 Aluminum
ACTUATOR: Gold Plated Brass
 Nickel Plated Brass
 Stainless Steel
 Aluminum
BASE: Polybutylene Terephthalate, UL94 V-2
 Polycarbonate, UL94 V-2
INNER ASSEMBLY: Polyoxymethylene, UL94 HB
 Polycarbonate, UL94 V-2
BRASS:
SPRING: Phosphor Bronze
MOBILE CONTACT: Phosphor Bronze
CONTACT: Nickel-Silver
TERMINALS: Silver Plated Brass
HARDWARE: Nickel Plated Brass

EXAMPLE PART NUMBERS:

- PV3F230NN 1P On-On
Flat Actuator, Nickel Plated Finish
- PV3F230SS 1P On-On
Flat Actuator, Stainless Steel Body
- PV3F2B0NN 1P On-(On)
Flat Actuator, Nickel Plated Finish
- PV3F2B0SS 1P On-(On)
Flat Actuator, Stainless Steel Body
- PV3F2G0NN 2P On-On
Flat Actuator, Nickel Plated Finish
- PV3F2G0NN-214 2P On-On
Flat Actuator, Red Dot Illum., Nickel Plated
- PV3F2G0NN-314 2P On-On
Flat Actuator, Red Ring Illum., Nickel Plated
- PV3F2G0SS 2P On-On
Flat Actuator, Stainless Steel Body
- PV3F2H0NN 2P On-(On)
Flat Actuator, Nickel Plated Finish
- PV3F2H0NN-214 2P On-(On)
Flat Actuator, Red Dot Illum., Nickel Plated
- PV3F2H0NN-314 2P On-(On)
Flat Actuator, Red Ring Illum., Nickel Plated
- PV3F2H0SS 2P On-(On)
Flat Actuator, Stainless Steel Body
- PV3H230NN 1P On-On
High Actuator, Nickel Plated Finish
- PV3H2B0NN 1P On-(On)
High Actuator, Nickel Plated Finish
- PV3H2B0SS 1P On-(On)
High Actuator, Stainless Steel Finish
- PV3H2G0NN 2P On-On
High Actuator, Nickel Plated Finish
- PV3H2G0NN-214 2P On-On
High Actuator, Red Dot Illum., Nickel Plated
- PV3H2G0NN-314 2P On-On
High Actuator, Red Ring Illum., Nickel Plated
- PV3H2H0NN 2P On-(On)
High Actuator, Nickel Plated Finish



Series	Actuator Options	Terminal	Function	Rating	Body Finish	Actuator Finish	Contact Material	Lens Style	Lens Color	Illumination Voltage
□ □ □ □ □	□ □	□	□	□	□	□	□	□	□	□
Non-Waterproof Versions: PV3 - Long Body PV3S - Short Body (*)	F - Flat C - Concave G - Guarded Concave	2 - Solder	1 Pole: 3 - On-On B - On-(On)	0 - 2A 48VDC	1 - Black G - Gold N - Nickel B - Brushed Stainless S - Polished Stainless	1 - Black 2 - White 7 - Blue 8 - Green 9 - Red G - Gold N - Nickel B - Brushed Stainless S - Polished Stainless	None - Silver G - Gold	2 - Dot 3 - Ring	0 - White 1 - Red 2 - Orange 3 - Green 4 - Blue 5 - Yellow	1 - Base Voltage 3 - 6V 4 - 12V 5 - 24V 6 - 125V 7 - 250V
Waterproof Versions: PV3W - Long Body PV3SW - Short Body (*)			2 Pole: G - On-On H - On-(On)							

Notes:
 * = Not available with illumination options.
 Additional material, illumination, and marking options are available. Please ask your sales person.