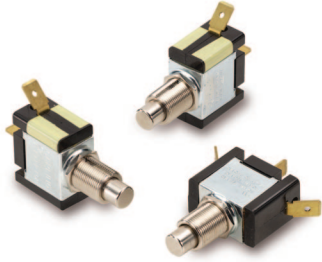


P-Series Pushbutton Switches



These rugged pushbutton-type switches feature international approvals, ratings to 20A 125VAC and a heavy actuation force (3-5 lbs. typical) which makes this switch ideal for use as a “foot-pedal” switch. These switches have become mainstays for canister Vacuum Cleaner applications. The metal bushing and plunger construction enables this alternate action switch to withstand the rigors of most any stringent pushbutton application.

Dielectric Strength

UL/CSA: 1000 - live to dead metal parts & opposite polarity
TUV: 4000V - live to dead metal parts; 1250V - opposite polarity across open contacts

Electrical Life

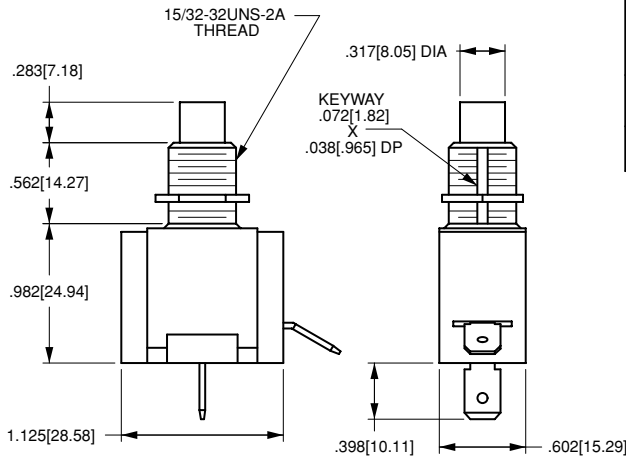
50,000 cycles

Mechanical Life

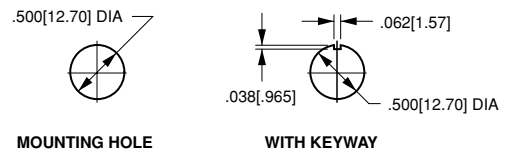
100,000 cycles

Operating Temperature

0°F to 85°F (32°C to 85°C)



.250 TAB (Q.C.)	SCREW (ASSEMBLED)	INTEGRATED WIRE LEAD (no exposed conductors)
TERMINAL TYPE		



PA341

¹
Part Number

1 PART NUMBER: SERIES/ACTUATOR/CIRCUITRY/RATING/TERMINATION	.250 tab	screw terminals	wire leads
10A 250VAC, 15A 125VAC, 3/4 HP 120-240 VAC¹			
ON-OFF	PA341	PA344	PA345
ON-ON	PB341	PB344	PBA345
10A 250VAC, 20A 125VAC, 1 1/2 HP 120-240 VAC¹			
ON-OFF	PA301	PA304	PA305
ON-ON	PB301	PB304	PB305
10A 250VAC, 15A 125VAC, 10(6)a 250 VACu, T85²			
ON-OFF	PA951	PA954	PA955

NOTES

- 1 Additional ratings available. Consult factory.
- 2 UL, CSA & TUV approved.