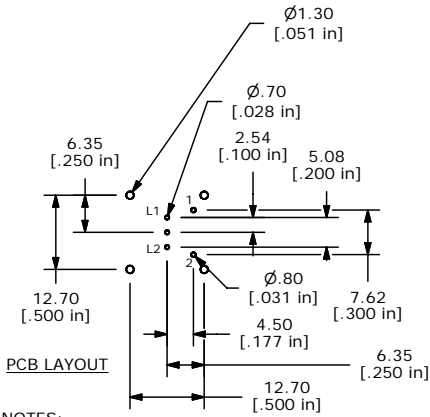
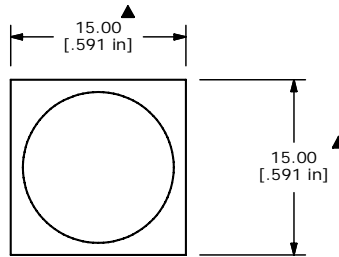
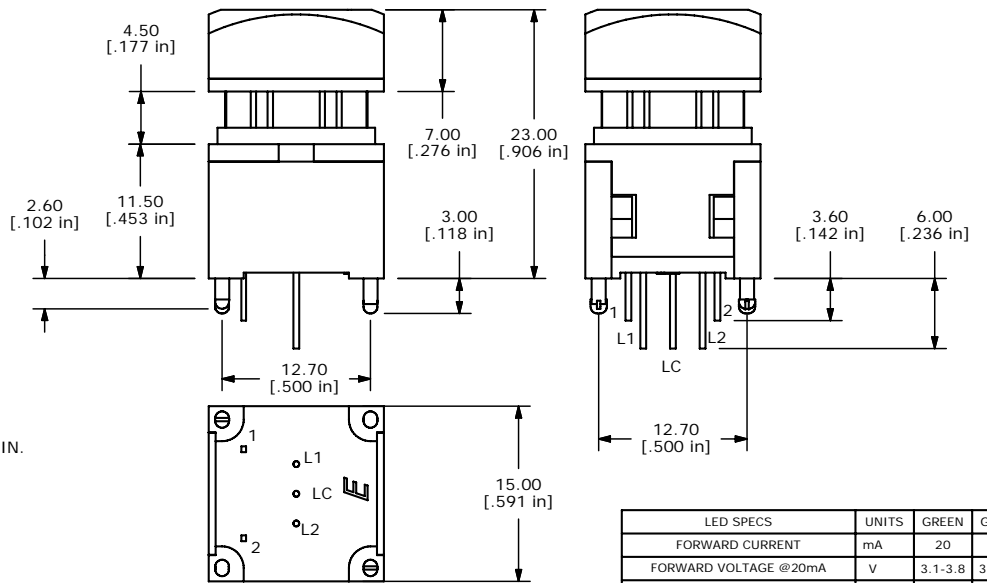


ISOMETRIC



- NOTES:
1. ALL DIMENSIONS IN MM [INCH]
 2. GENERAL TOLERANCE: X.X=±0.4
X.XX=±0.25
 3. TERM. NOS. FOR REFERENCE ONLY.
 4. RATING: 12VDC, 100mA
 5. CONTACT MATERIAL: SILVER
 6. CONTACT RESISTANCE: 200 MILLI-OHM MAX.
 7. INSULATION RESISTANCE: 500VDC, 100 MEGA-OHM MIN.
 8. OPERATING FORCE: 250±100GF
 9. MECHANICAL LIFE: 1,000,000 CYCLES
 10. OPERATING TEMP: -20°C TO +70°C
 - ▲11. LED COLORS: GREEN - GREEN
 12. TRAVEL: 4.50mm±0.20
 13. 2002/95/EC (ROHS) COMPLIANT
 14. ▲ DENOTES CRITICAL PARAMETER.
 - ▲15. SWITCH HAS TACTILE FEEDBACK WHEN ACTUATED.



LED SPECS	UNITS	GREEN	GREEN
FORWARD CURRENT	mA	20	20
FORWARD VOLTAGE @20mA	V	3.1-3.8	3.1-3.8
LUMINOUS INTENSITY @ 10mA	MCD	250	250

B	19357	UPDATE HOUSING, COVER, PLUNGER	11/08/10	BMA
A	18361	RELEASE FOR PRODUCTION	12/22/08	BLR
REV	PCR NO	DESCRIPTION	DATE	BY

THE INFORMATION CONTAINED IN THIS DOCUMENT IS PROPRIETARY TO E-SWITCH AND IS NOT TO BE COPIED OR TRANSFERRED

TITLE LP110A1TBSSG			
SCALE	DATE	DR	DWG
2=1	12/22/2008	BLR	B231008
			REV B