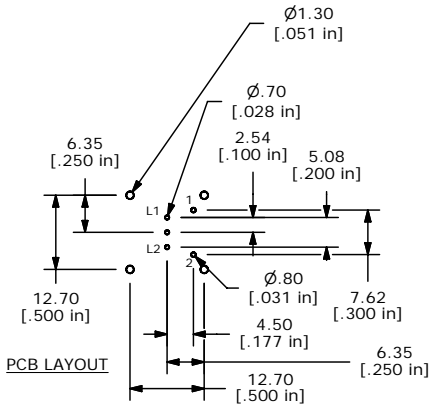
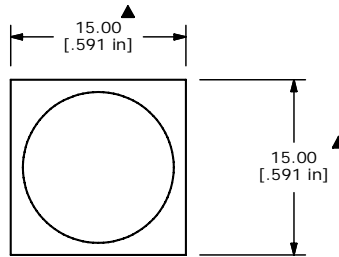
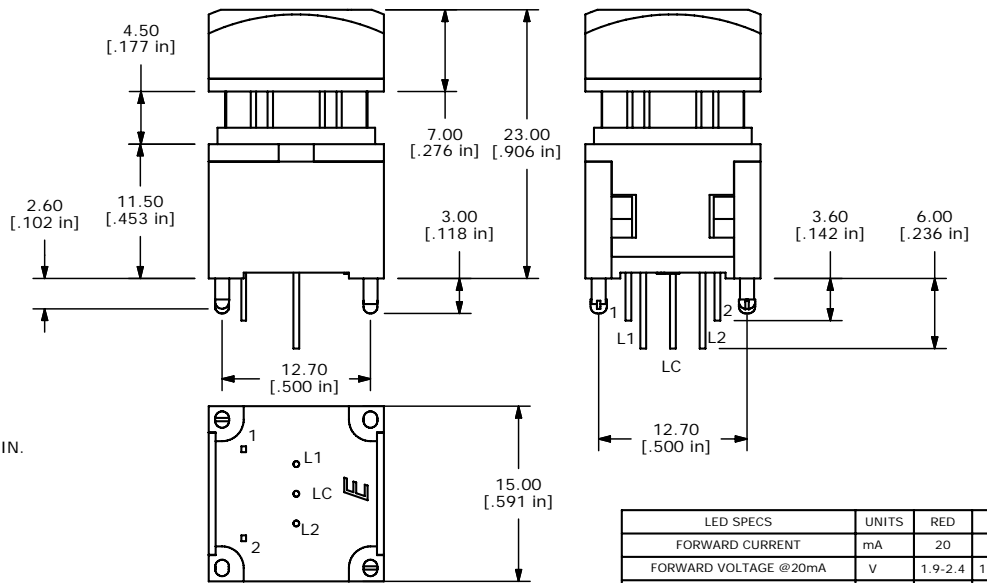


ISOMETRIC



- NOTES:
1. ALL DIMENSIONS IN MM [INCH]
  2. GENERAL TOLERANCE: X.X=±0.4  
X.XX=±0.25
  3. TERM. NOS. FOR REFERENCE ONLY.
  4. RATING: 12VDC, 100mA
  5. CONTACT MATERIAL: SILVER
  6. CONTACT RESISTANCE: 200 MILLI-OHM MAX.
  7. INSULATION RESISTANCE: 500VDC, 100 MEGA-OHM MIN.
  8. OPERATING FORCE: 250±100GF
  9. MECHANICAL LIFE: 1,000,000 CYCLES
  10. OPERATING TEMP: -20°C TO +70°C
  - ▲11. LED COLORS: RED - RED
  12. TRAVEL: 4.50mm±0.20
  13. 2002/95/EC (ROHS) COMPLIANT
  14. ▲ DENOTES CRITICAL PARAMETER.
  - ▲15. SWITCH HAS TACTILE FEEDBACK WHEN ACTUATED.



LED SPECS	UNITS	RED	RED
FORWARD CURRENT	mA	20	20
FORWARD VOLTAGE @20mA	V	1.9-2.4	1.9-2.4
LUMINOUS INTENSITY @ 10mA	MCD	40	40

B	19357	UPDATE HOUSING, COVER, PLUNGER	11/08/10	BMA
A	18361	RELEASE FOR PRODUCTION	12/22/08	BLR
REV	PCR NO	DESCRIPTION	DATE	BY

THE INFORMATION CONTAINED IN THIS DOCUMENT IS PROPRIETARY TO E-SWITCH AND IS NOT TO BE COPIED OR TRANSFERRED

TITLE LP110A1TBSRR			
SCALE	DATE	DR	DWG
2=1	12/22/2008	BLR	B231006
			REV B