

SERIES LP11 SWITCHES



ILLUMINATED PUSHBUTTON



FEATURES & BENEFITS

Multiple illumination options
Tactile or Non-tactile feel
Multiple cap sizes

APPLICATIONS / MARKETS

Computer Servers/peripherals
Performance Audio
Instrumentation
Telecommunications/networking

MECHANICAL SPECIFICATIONS

| | |
|------------------|----------------|
| Mechanical Life: | 200,000 cycles |
| Force: | 250 +/- 100 gf |
| Travel: | 4.50 +/- 0.2mm |

ELECTRICAL SPECIFICATIONS

| | |
|------------------------|----------------------|
| Electrical Life: | 200,000 cycles |
| Contact Rating: | 100mA @ 12VDC |
| Contact Resistance: | 200mΩ (initial max) |
| Insulation Resistance: | 100MΩ (Min @ 500VDC) |
| Dielectric Strength: | 500VAC |

ENVIRONMENTAL SPECIFICATIONS

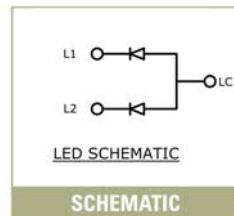
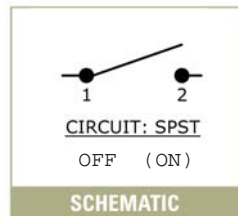
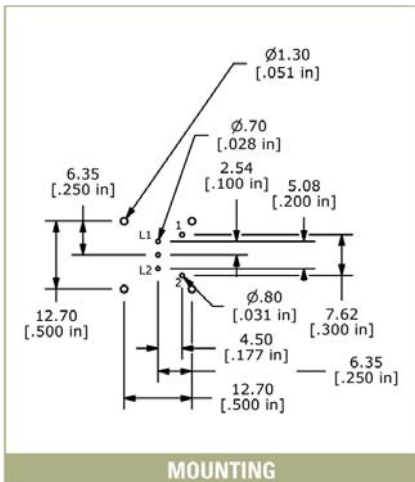
| | |
|------------------------|----------------|
| Operating Temperature: | -20°C to +70°C |
| Storage Temperature: | -20°C to +70°C |

HOW TO ORDER:

| SERIES | FUNCTION STYLE | CIRCUIT | ACTUATION TYPE | CAP SIZE | CAP CONFIGURATION | LED COLORS |
|--------|----------------|----------|-------------------------------------|---|-------------------|--|
| LP11 | OA = Momentary | 1 = SPST | N = Non Tactile T = Tactile Feel | A = 12 mm sq. B = 15 mm sq. C = 17.4 mm sq. | S = Sculptured | RR = RED-RED RG = RED-GRN RY = RED-YEL RB = RED-BLU RW = RED-WHT YY = YEL-YEL YG = YEL-GRN YB = YEL-BLU YW = YEL-WHT GG = GRN-GRN GB = GRN-BLU GW = GRN-WHT BB = BLU-BLU BW = BLU-WHT WW = WHT-WHT |

Example Ordering Code: LP11-OA-1-N-B-S-RG

Specifications subject to change without notification.



| LED SPECIFICATIONS | | | | | | |
|---------------------------|-------|-----------|-----------|------------|-----------|-----------|
| LED PARAMETER | UNITS | RED | GREEN | YELLOW | BLUE | WHITE |
| Forward Current | mA | 20 | 20 | 20 | 20 | 20 |
| Forward Voltage @ 20mA | V | 1.9 - 2.4 | 3.1 - 3.8 | 2.05 - 2.4 | 3.3 - 3.8 | 3.0 - 3.6 |
| Luminous Intensity (Typ.) | mcd | 40 | 250 | 70 | 70 | 500 |

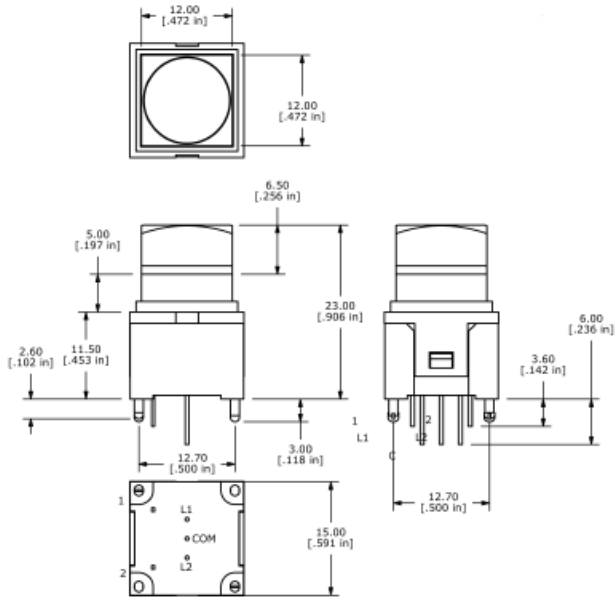
SERIES LP11 SWITCHES



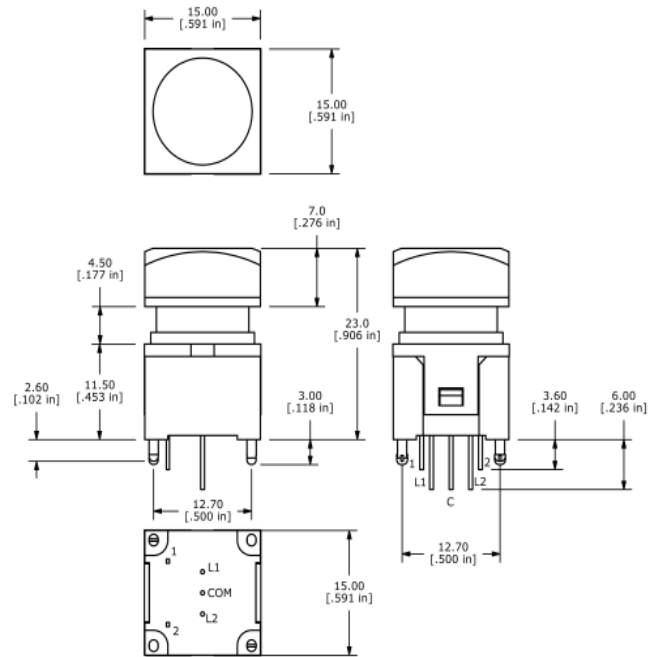
E-SWITCH™

ILLUMINATED PUSHBUTTON

CAP SIZE "A" - 12mm square



CAP SIZE "B" - 15mm square



CAP SIZE "C" - 17.4mm square

