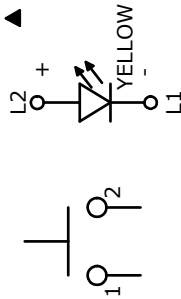
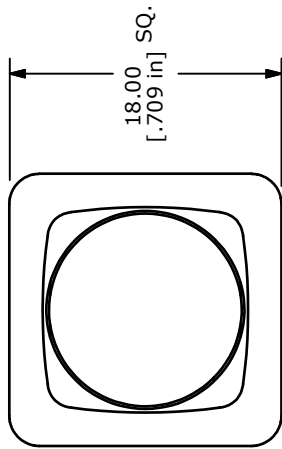


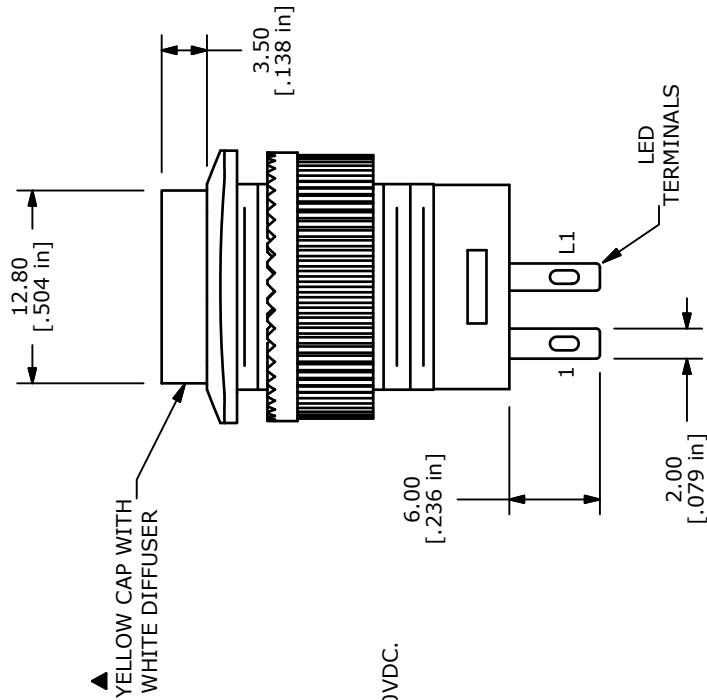
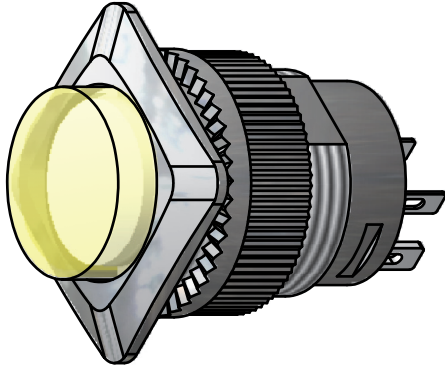
PANEL MOUNTING



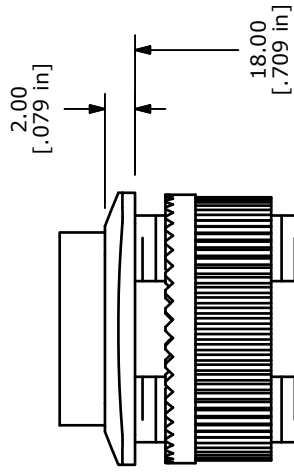
CIRCUIT: SPST  
MOMENTARY



18.00  
[.709 in] SQ.



YELLOW CAP WITH  
WHITE DIFFUSER



NOTE:

1. ALL DIMENSIONS IN MM [INCH]
2. GENERAL TOLERANCE: X.X=±0.4  
X.XX=±0.25
3. TERMINAL NUMBERS FOR REF ONLY
4. CIRCUIT: SPST OFF-MOMENTARY ON
- ▲ 5. CONTACT RATING: 3A @ 125VAC, 1.5A @ 250VAC
- ▲ 6. ELECTRIC LIFE: 6,000 CYCLES AT FULL LOAD MIN.
7. CONTACT RESISTANCE: 50 MILLI-OHM MAX. (INITIAL)
8. INSULATION RESISTANCE: 100 MEGA-OHM MIN. @ 500VDC.
9. DIELECTRIC STRENGTH: 1,500VAC FOR 1 MINUTE.
- ▲ 10. LED COLOR: YELLOW
11. OPERATING TEMPERATURE: -0°C TO +65°C.
12. PANEL THICKNESS RANGE: 7.0 mm MAX.
13. ▲ DENOTES CRITICAL PARAMETER.
14. 2002/95/EC (ROHS) COMPLIANT
15. HARDWARE INCLUDED: MOUNTING NUT

▲ LED SPECS	UNITS	YELLOW
FORWARD CURRENT	mA	20
FORWARD VOLTAGE	V	2.0-2.6
LUMINOUS INTENSITY	MCD	50



TITLE RP3508ABLKYEYELNS

B	19613	ADD LED SPECS	1/20/11	BGL
REV	PCR NO	DESCRIPTION	DATE	BY

THE INFORMATION CONTAINED IN THIS DOCUMENT IS PROPRIETARY TO E-SWITCH AND IS NOT TO BE COPIED OR TRANSFERRED

SCALE	2 : 1	DATE	1/20/2011	DR	BGL	DWG	F130423	REV	B
-------	-------	------	-----------	----	-----	-----	---------	-----	---