

641-Series



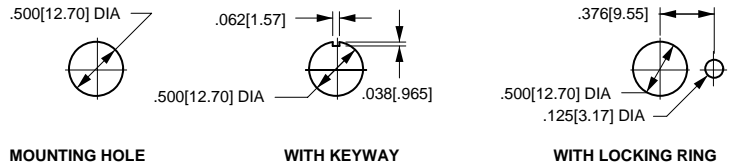
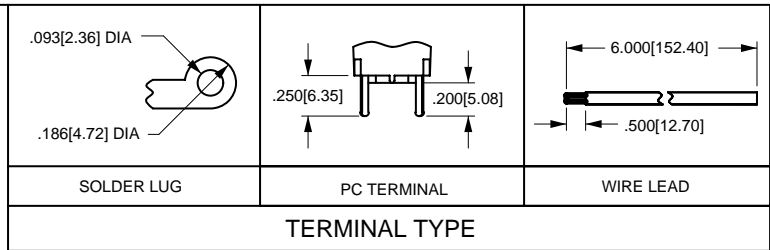
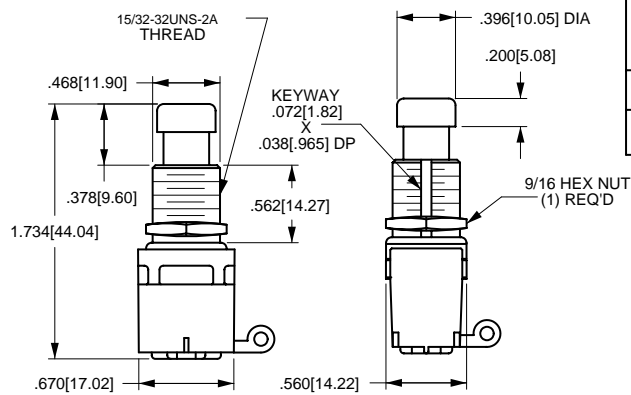
The 641-Series pushbutton switches are single or double pole and AC rated up to 5 amps. These switches offer maintained action with a slider contact mechanism. The typical actuation force required is 3 - 3 1/2 lbs.

Specifications

- Certifications*: UL, CSA
- Dielectric Strength: 1,000 V (minimum)
- Insulation Resistance: 100 Megohms (minimum)
- Base Material: Polyester
- Actuator Material: Brass/Nickel Plate
- Bushing Material: Brass/Nickel Plate

* Due to ongoing technological advances, consult factory for certification specifics.

Dimensional Specifications: in. [mm]



641	1	2	2	1	0
SERIES	BUSHING	POLES	RATING	CIRCUIT	TERMINATION
641 PUSHBUTTON	1 .465 DIAMETER 1 .562 LENGTH	1 SINGLE 2 DOUBLE	2 2A 250VAC 2 5A 125VAC	1 ON-OFF 2 ON-ON	0 SOLDER LUG 2 PC TERM. 5 WIRE LEAD

NOTES:
Shading indicates standard configurations.