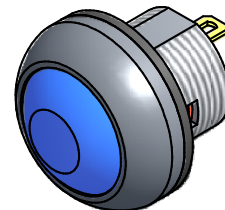
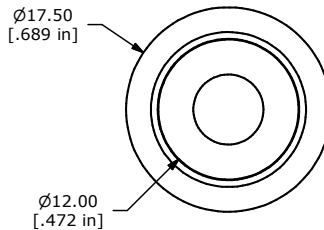
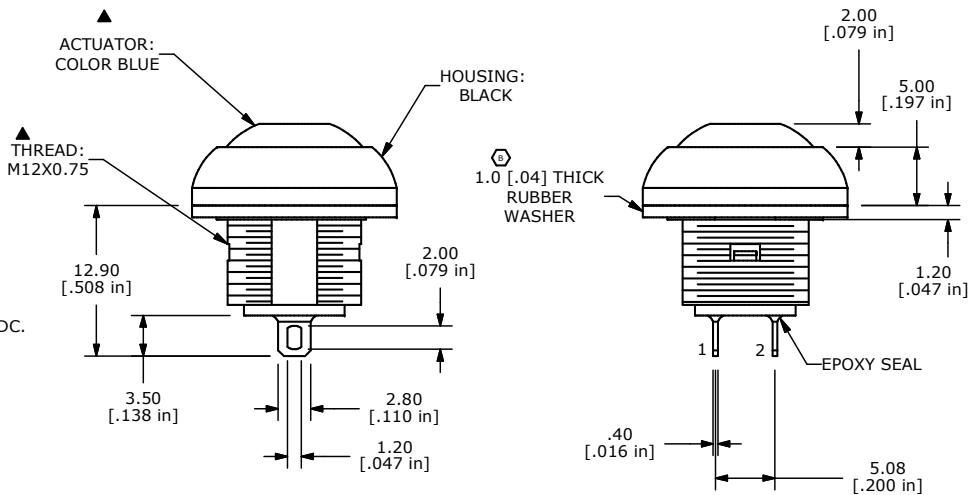


▲ **CIRCUIT: SPST**



**NOTE:**

1. ALL DIMENSIONS IN MM [INCH]
2. GENERAL TOLERANCE: X.X=±0.4  
X.XX=±0.25
3. TERMINAL NUMBERS FOR REF ONLY
4. CIRCUIT: SPST OFF-MOMENTARY ON
5. CONTACT MATERIAL: Gold over SILVER
- ▲ 6. RATING: 125mA @ 125 VAC  
100mA @ 50 VDC
- ▲ 7. ELECTRIC LIFE: 500,000 CYCLES AT FULL LOAD
8. CONTACT RESISTANCE: 50 milli-OHM max. (INITIAL)
9. INSULATION RESISTANCE: 1,000 MEGA-OHM min. @ 500VDC.
10. DIELECTRIC STRENGTH: 1,000 VAC rms.
11. OPERATING FORCE: 300 gf +/- 100 gf
12. OPERATING TEMPERATURE: -30°C TO +85°C.
13. CONTACT BOUNCE: 10ms MAX.
- ▲ 14. TRAVEL: 1.5mm
15. PANEL THICKNESS RANGE: 1.5 - 4.0 mm.
16. ▲ DENOTES CRITICAL PARAMETER.
17. 2002/95/EC (ROHS) COMPLIANT
18. MAX MOUNTING TORQUE: 1.5 Nm APPLIED TO THE NUT
- ▲ 19. HARDWARE INCLUDED:
  1. T081101 LOCK WASHER (1)
  2. T081102 HEX NUT (1)
  3. T081100 RUBBER WASHER (1)



B	17943	Dim was 1.0[0.025]	1/24/08	rc
A	17904	New Release	12/20/07	rc
REV	PCR NO	DESCRIPTION	DATE	BY

TITLE	RP8100B2M1CEBLKBLUNIL			
-------	-----------------------	--	--	--

THE INFORMATION CONTAINED IN THIS DOCUMENT IS PROPRIETARY TO E-SWITCH AND IS NOT TO BE COPIED OR TRANSFERRED

SCALE	2 : 1	DATE	12/13/2007	DR	rc	DWG	ST081001	REV	B
-------	-------	------	------------	----	----	-----	----------	-----	---