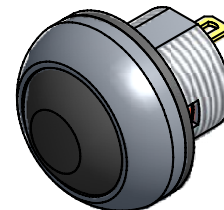
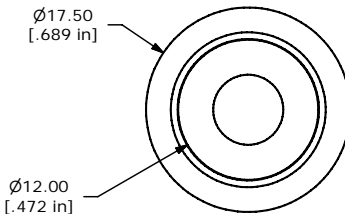
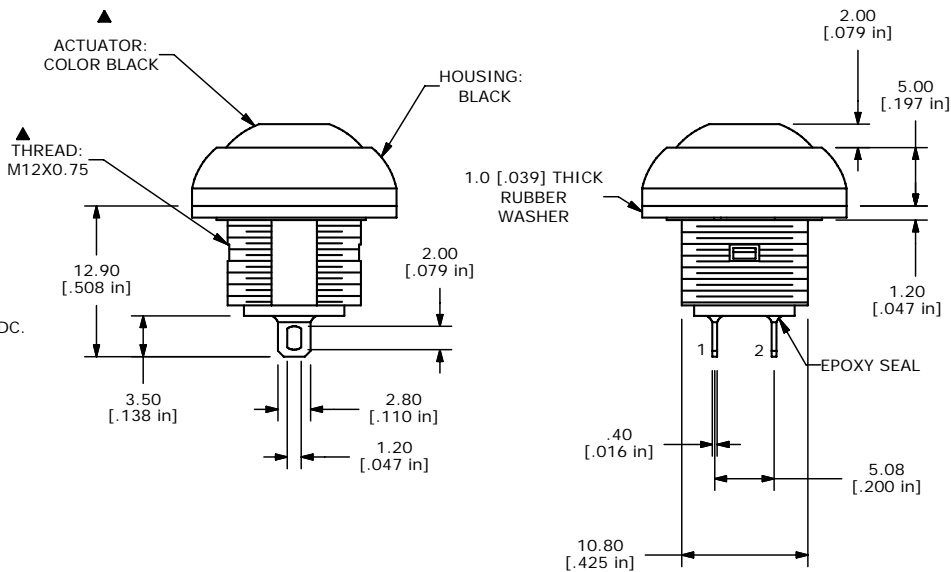


▲ CIRCUIT: SPST



- NOTE:
1. ALL DIMENSIONS IN MM [INCH]
  2. GENERAL TOLERANCE: X.X=±0.4  
X.XX=±0.25
  3. TERMINAL NUMBERS FOR REF ONLY
  4. CIRCUIT: SPST OFF-MOMENTARY ON
  5. CONTACT MATERIAL: Gold over SILVER
  - ▲ 6. RATING: 125mA @ 125 VAC  
100mA @ 50 VDC
  - ▲ 7. ELECTRIC LIFE: 500,000 CYCLES AT FULL LOAD
  8. CONTACT RESISTANCE: 50 milli-OHM max. (INITIAL)
  9. INSULATION RESISTANCE: 1,000 MEGA-OHM min. @ 500VDC.
  10. DIELECTRIC STRENGTH: 1,000 VAC rms.
  11. OPERATING FORCE: 300 gf +/- 100 gf
  12. OPERATING TEMPERATURE: -30°C TO +85°C.
  13. CONTACT BOUNCE: 10ms MAX.
  - ▲ 14. TRAVEL: 1.5mm
  15. PANEL THICKNESS RANGE: 1.5 - 4.0 mm.
  16. ▲ DENOTES CRITICAL PARAMETER.
  17. 2002/95/EC (ROHS) COMPLIANT
  18. MAX MOUNTING TORQUE: 1.5 Nm APPLIED TO THE NUT
  - ▲ 19. HARDWARE INCLUDED:
    1. T081101 LOCK WASHER (1)
    2. T081102HEX NUT (1)
    3. T081100 RUBBER WASHER (1)



TITLE RP8100B2M1CEBLKBLKNIL

A	17904	New Release	12/20/07	rc
REV	PCR NO	DESCRIPTION	DATE	BY

THE INFORMATION CONTAINED IN THIS DOCUMENT IS PROPRIETARY TO E-SWITCH AND IS NOT TO BE COPIED OR TRANSFERRED

SCALE	DATE	DR	DWG	REV
2 : 1	12/13/2007	rc	ST081000	A