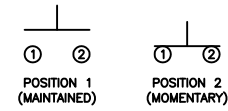


**SCHEMATIC**



**SPECIFICATIONS**

**FUNCTION:**  
1P1T OFF-(ON)

**RATING:**  
2A 48VDC

**CONTACT RESISTANCE:**  
Initial: 50mΩ Max. at 1A 12VDC

**INSULATION RESISTANCE:**  
1,000MΩ Min. at 500VDC

**DIELECTRIC STRENGTH:**  
2,000VAC Min. for 1 Minute

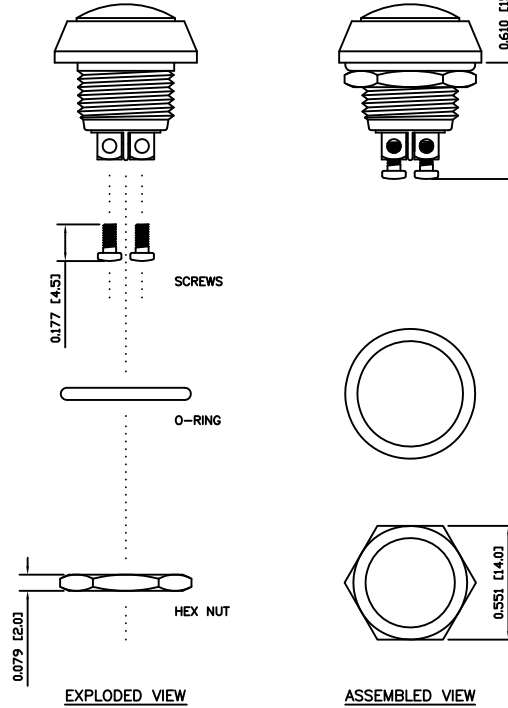
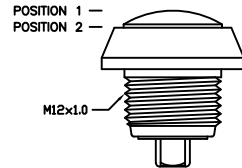
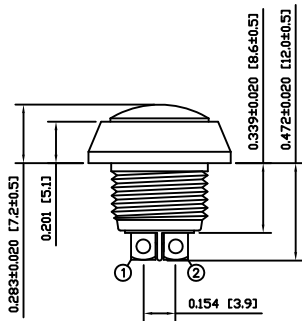
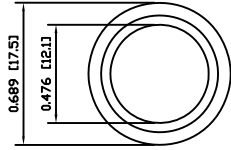
**ELECTRICAL LIFE:**  
200,000 Cycles

**MECHANICAL LIFE:**  
1,000,000 Cycles

**INGRESS PROTECTION:**  
IP65

**TEMPERATURE:**  
Operating: -20°C to 70°C

**APPROVALS:**  
**RoHS**  
COMPLIANT



**COLORS AND FINISH**

**BODY:**  
Nickel  
Plated Finish

**ACTUATOR:**  
Nickel  
Plated Finish

**MARKING:**  
None

**MATERIALS**

**BUSHING:**  
Nickel Plated Brass

**BASE:**  
Polybutylene Terephthalate (PBT), UL94 V-2

**ACTUATOR:**  
Nickel Plated Brass

**HARDWARE:**  
Brass (H59)

**SEALING:**  
Silicone

**INNER ASSEMBLY:**  
Polyamide 6/6 (PA66)  
Brass (H62)

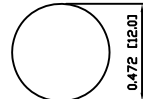
**SPRING:**  
Stainless Steel (304)

**CONTACTS:**  
Silver Plated Brass (H62)

**TERMINALS:**  
Silver Plated Brass (H62)  
Steel (A3)

**O-RING:**  
Nitrile Butadiene Rubber (NBR)

**SUGGESTED PANEL CUTOUT**



MAXIMUM PANEL THICKNESS: 0.157 [4.0mm]

BODY	A	09/06/04	CAB
COLORS	A	09/06/04	CAB
MATERIALS	A	09/06/04	CAB
SPECIFICATIONS	A	09/06/04	CAB
REFERENCE	REV.	DATE	BY

THE INFORMATION CONTAINED IN THIS DOCUMENT IS PROPRIETARY TO E-SWITCH AND IS NOT TO BE COPIED OR TRANSFERRED

A	PROPOSED DESIGN	PCRD0051	09/06/05	CAB
REV.	DESCRIPTION	PCR	DATE	DRAWN BY

DIMENSIONS	
INCHES [MILLIMETERS]	
GENERAL TOLERANCES	
±0.008 [±0.2] / ±1'	
SCALE	PROJECTION
DRAWING NOT TO SCALE	1st Angle

PV5S640NN		
DRAWING NUMBER	DATE	REVISION
52-PV5S640NN	AUGUST 5, 2009	A