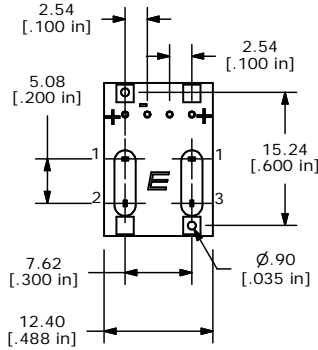
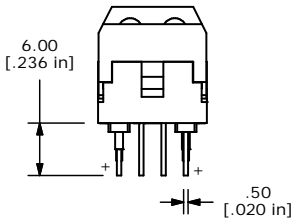
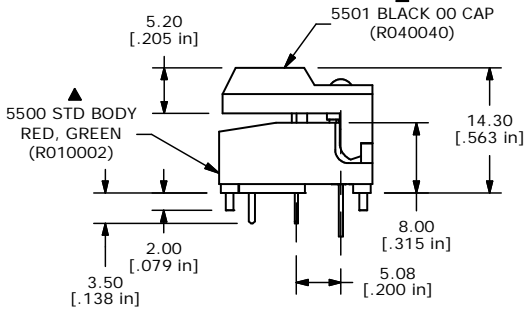


ISOMETRIC



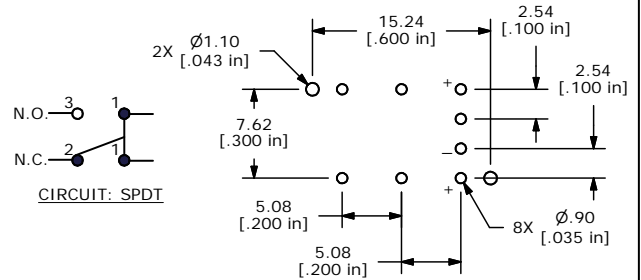
- NOTE:
1. ALL DIMENSIONS IN MM [INCH]
  2. GENERAL TOLERANCE: X.X=±0.4  
X.XX=±0.25
  3. TERMINAL NUMBERS FOR REF ONLY
  4. RATINGS: 12mA @24V
  5. CONTACTS: FIXED AND MOVING:  
COPPER ALLOY W/GOLD PLATE
  6. CONTINUOUS CURRENT RATING 120mA
  7. POWER RATING: 240mW
  8. OPERATING FORCE: <200GF
  9. OPERATING TRAVEL: 2.5MM ±0.2MM
  10. ▲ DENOTES CRITICAL PARAMETER.

RED LED

PARAMETERS	SYMBOL	MAX.	MIN.	TYP.	UNITS
POWER DISSIPATION	P <sub>D</sub>	80	--		mW
AVE FORWARD CURRENT	I <sub>AF</sub>	30	--		mA
PEAK FORWARD CURRENT	I <sub>PF</sub>	80	--		mA
FORWARD VOLTAGE	V <sub>F</sub>	2.8	1.8	2.2	V
REVERSE VOLTAGE	V <sub>R</sub>	5	--		V
REVERSE CURRENT	I <sub>R</sub>	100	--		mA
EMISSION WAVELENGTH	λ <sub>P</sub>			695	nm
LUMINOUS INTENSITY	I <sub>F</sub>		0.7	2.2	mcd

GREEN LED

PARAMETERS	SYMBOL	MAX.	MIN.	TYP.	UNITS
POWER DISSIPATION	P <sub>D</sub>	100	--		mW
AVE FORWARD CURRENT	I <sub>AF</sub>	30	--		mA
PEAK FORWARD CURRENT	I <sub>PF</sub>	120	--		mA
FORWARD VOLTAGE	V <sub>F</sub>	2.8	1.9	2.2	V
REVERSE VOLTAGE	V <sub>R</sub>	5	--		V
REVERSE CURRENT	I <sub>R</sub>	100	--		mA
EMISSION WAVELENGTH	λ <sub>P</sub>			570	nm
LUMINOUS INTENSITY	I <sub>F</sub>		6.0	15.0	mcd



TITLE 5501MBLKREDGRN

B	14604	REVISED AND REDRAWN	1/5/05	AR
REV	PCR NO	DESCRIPTION	DATE	BY

THE INFORMATION CONTAINED IN THIS DOCUMENT IS PROPRIETARY TO E-SWITCH AND IS NOT TO BE COPIED OR TRANSFERRED

SCALE	DATE	DR	DWG	REV
1:1	10/16/01	CJC	XR0104P	B