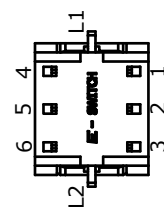
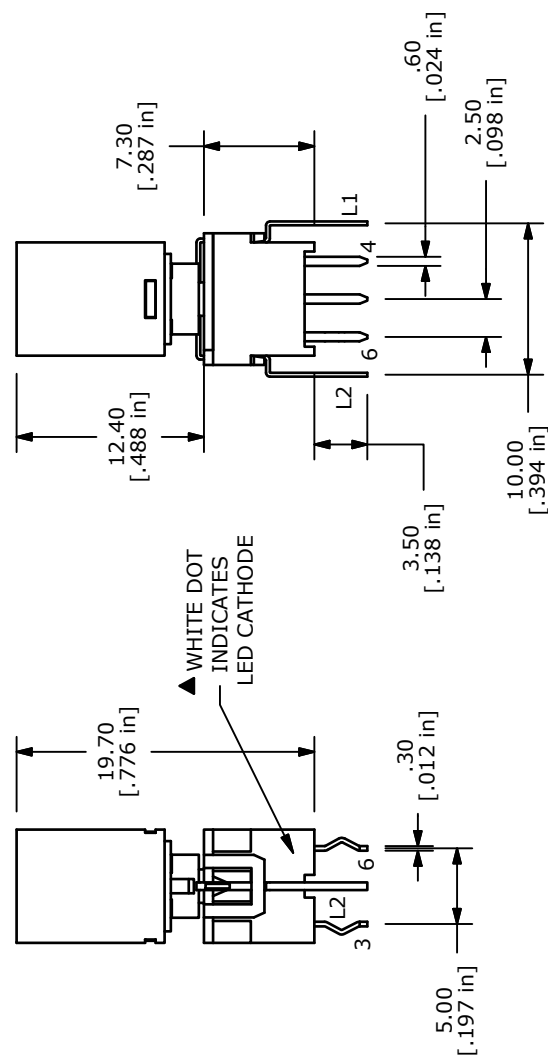
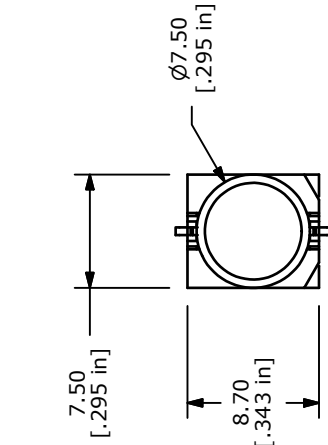


- NOTES:
- ALL DIMENSIONS IN MM [INCH]
 - GENERAL TOLERANCE: X.X=±0.4
X.XX=±0.25
 - TERMINAL NUMBERS FOR REF ONLY
 - RATING: CURRENT: 100mA
VOLTAGE: 30 VDC
 - OPERATING LIFE: 50,000 MAKE-AND-BREAK CYCLES
 - INSULATION RESISTANCE: 500VDC, 100M OHM. MIN.
 - OPERATING FORCE: 250gf ± 100 GRAMS
 - OPERATING TEMP.: -20°C to 70°C
 - TRAVEL: MOMENTARY
1.50 ± 0.3mm FULL TRAVEL
 - CONTACT RESISTANCE: 50 m OHM. MAX.
 - ▲ DENOTES CRITICAL PARAMETER.
 - 2002/95/EC (ROHS) COMPLIANT
 - LED COLOR: YELLOW



LED SPECS	UNITS	YELLOW
FORWARD CURRENT	mA	20
FORWARD VOLTAGE @20mA	V	1.7-2.4
LUMINOUS INTENSITY @ 10mA	MCD	350



E-SWITCH™

TITLE LP40A1PBCTY

REV	PCR NO	DESCRIPTION	DATE	BY
C	19602	DRAWING UPDATE	1/19/11	BGL
B	18414	PCB LAYOUT SECTION FIXED	2/19/09	BLR
A	18354	RELEASE FOR PRODUCTION	12/18/08	BLR

THE INFORMATION CONTAINED IN THIS DOCUMENT IS PROPRIETARY TO E-SWITCH AND IS NOT TO BE COPIED OR TRANSFERRED

SCALE 2:1

DR BLR

DWG B240024

REV C