

# SERIES 700 SWITCHES

## PUSHBUTTON SWITCHES - SNAP-ACTING

TACT SWITCHES

NAVIGATION SWITCHES

PUSHBUTTON SWITCHES

TOGGLE SWITCHES

ROCKER SWITCHES

SLIDE SWITCHES

SNAP-ACTION SWITCHES

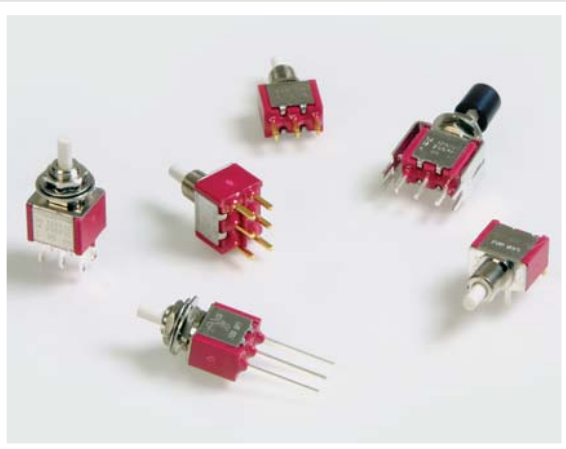
DIP SWITCHES

KEYLOCK SWITCHES

ROTARY SWITCHES

DETECTOR SWITCHES

CAP OPTIONS



### FEATURES & BENEFITS

- ▶ Snap acting contact design
- ▶ Gold & silver contact options
- ▶ Multiple termination options
- ▶ Snap-in panel mount option

### APPLICATIONS/MARKETS

- ▶ Telecommunications
- ▶ Networking
- ▶ Computers/servers
- ▶ Performance audio
- ▶ Instrumentation
- ▶ Low power on/off designs
- ▶ External hard drives and modems

### SPECIFICATIONS

|                        |   |
|------------------------|---|
| Contact Ratings:       | 1A @ 250 VAC<br>3A @ 120 VAC or 28 VDC  |
| Life Expectancy:       | 50,000 cycles typical   |
| Contact Resistance:    | 20mΩ max. typical @ 2-4 VDC<br>100mA for both silver and gold plated contacts |
| Insulation Resistance: | 1,000 MΩ min.   |
| Dielectric Strength:   | 1,000 V RMS @ sea level   |
| Actuation Force:       | 200 ± 50 gf   |
| Operating Temperature: | -30°C to +85°C  |
| Travel:                | 1.20mm Typ  |

### MATERIALS

|           |  |
|-----------|--|
| Case:     | DAP  |
| Plunger:  | Glass filled nylon or glass filled polyester |
| Bushing:  | Nickel plated brass                          |
| Frame:    | Stainless steel                              |
| Contacts: | Silver or Gold plated copper alloy           |



### HOW TO ORDER

| SERIES | MODEL NO.  | BUSHING                  | TERMINATION   | CONTACT MATERIAL       | SEAL  | HARDWARE        | CAP | CAP COLOR       |
|--------|------------|--------------------------|---|------------------------|---|-----------------|-----|-----------------|
| 700    | SP7<br>DP7 | B10<br>B11<br>B20<br>B21 | M1 VS2<br>M2 VS3<br>M51 VS4<br>M52 VS5<br>M53<br>M6<br>M7 | Q = Silver<br>R = Gold | E = Epoxy<br>Sealed at<br>Base of<br>Terminal | H =<br>Hardware |     | See Cap Options |



### Example Ordering Number

700-DP7-B10-M1-Q-E-H-C1-BLK

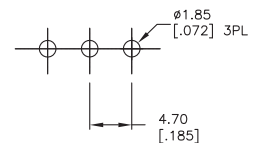
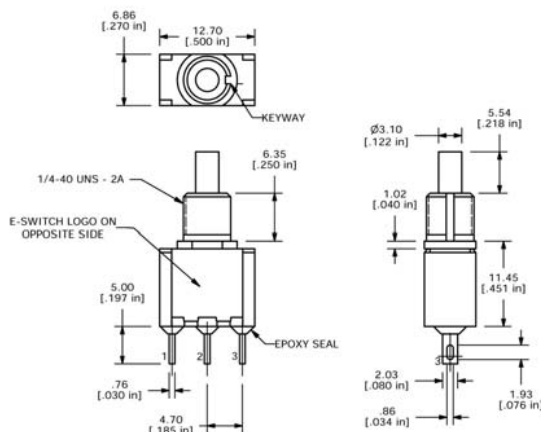
Specifications subject to change without notice.

## SPDT

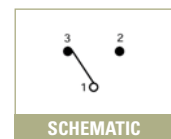


| Model No.  | Type    |
|------------|---------|
| SP-7       | ON (ON) |
| Term. Comm | 1-3 1-2 |

( ) = Momentary



P.C. MOUNTING



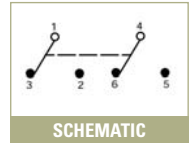
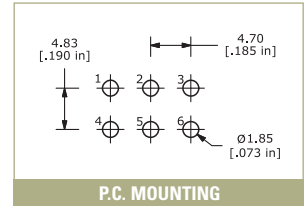
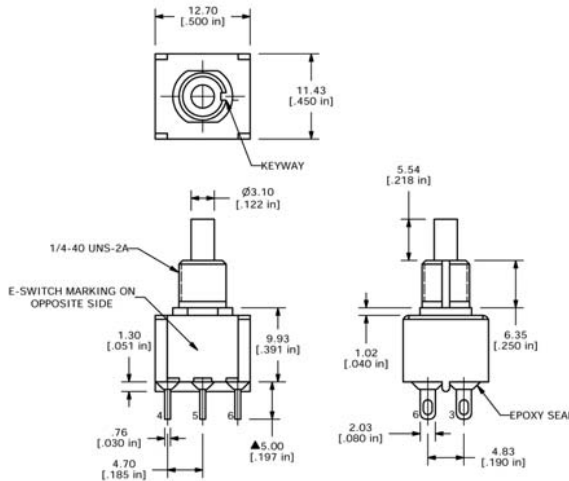
SCHEMATIC



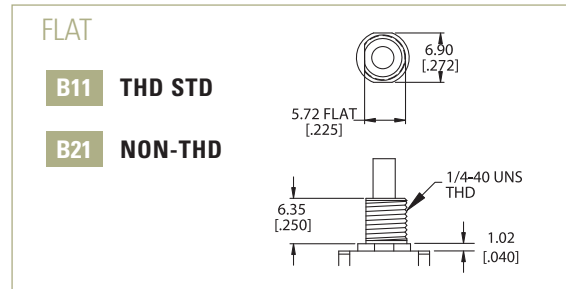
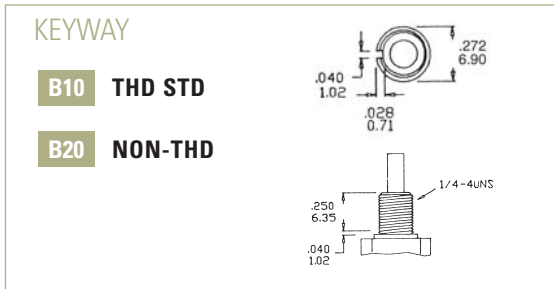
# DPDT



| Model No.   | Type            |          |
|-------------|-----------------|----------|
| DP-7        | ON              | (ON)     |
| Term. Comm. | 1-3, 4-6        | 1-2, 4-5 |
|             | ( ) = Momentary |          |



## BUSHING OPTIONS FOR P.C. MOUNTING



## TERMINATION OPTIONS

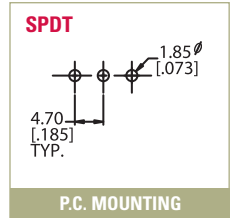
### M1

SOLDER LUG



### M2

P. C. MOUNT

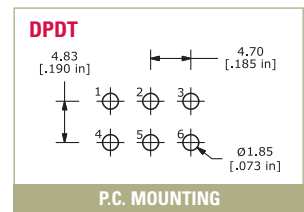
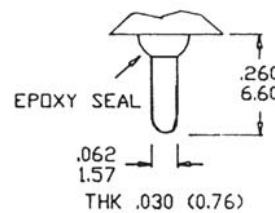
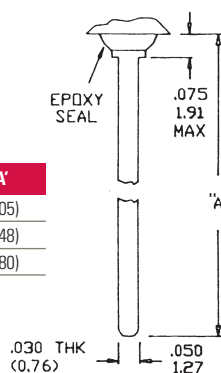


### M5

WIRE WRAP



| Option Code | Dim. 'A'     |
|-------------|--------------|
| M51         | .750 (19.05) |
| M52         | .964 (24.48) |
| M53         | .425 (10.80) |



TACT SWITCHES  
NAVIGATION SWITCHES  
PUSHBUTTON SWITCHES  
TOGGLE SWITCHES  
ROCKER SWITCHES  
SLIDE SWITCHES  
SNAP-ACTION SWITCHES  
DIP SWITCHES  
KEYLOCK SWITCHES  
ROTARY SWITCHES  
DETECTOR SWITCHES  
CAP OPTIONS

# SERIES 700 SWITCHES

## PUSHBUTTON SWITCHES - SNAP-ACTING

TACT SWITCHES

NAVIGATION SWITCHES

PUSHBUTTON SWITCHES

TOGGLE SWITCHES

ROCKER SWITCHES

SLIDE SWITCHES

SNAP-ACTION SWITCHES

DIP SWITCHES

KEYLOCK SWITCHES

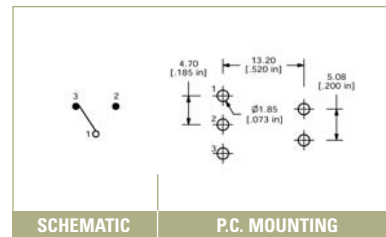
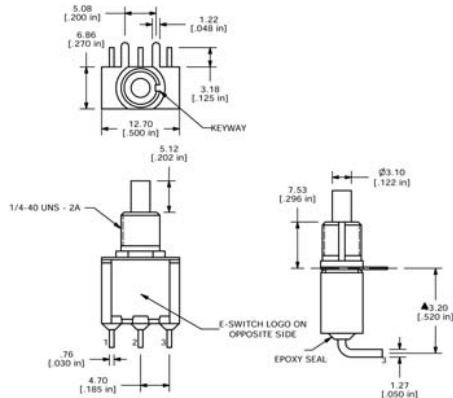
ROTARY SWITCHES

DETECTOR SWITCHES

CAP OPTIONS

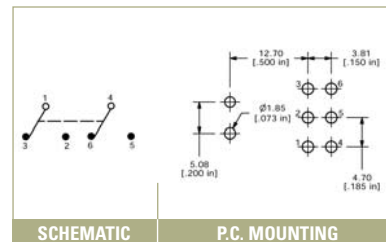
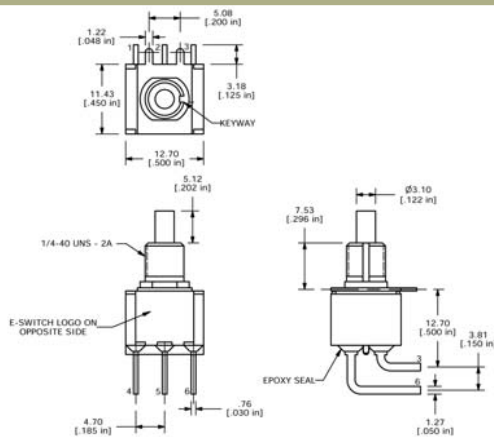
### M6

SPDT



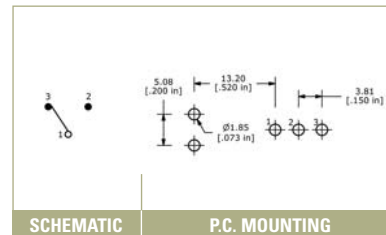
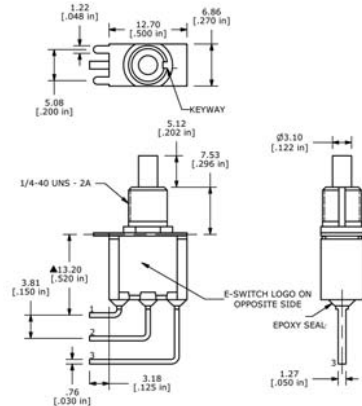
### M6

DPDT



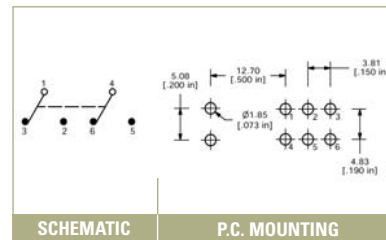
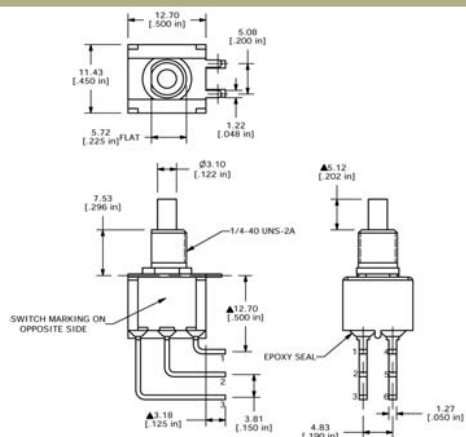
### M7

SPDT



### M7

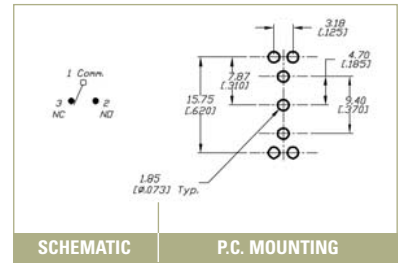
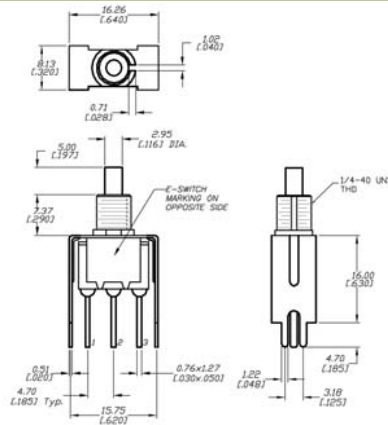
DPDT





### VS2 or VS3

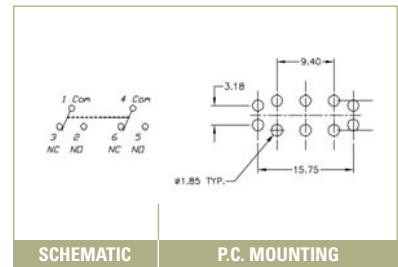
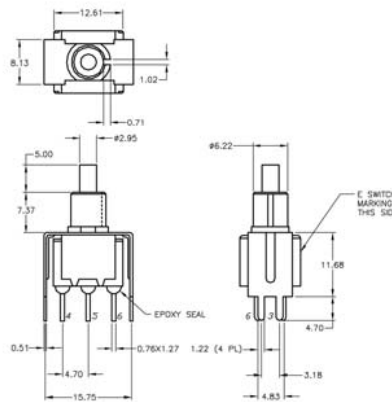
SPDT



| Option Code | Dim. 'A'     |
|-------------|--------------|
| VS2         | .460 (11.68) |
| VS3         | .630 (16.00) |

### VS2 or VS3

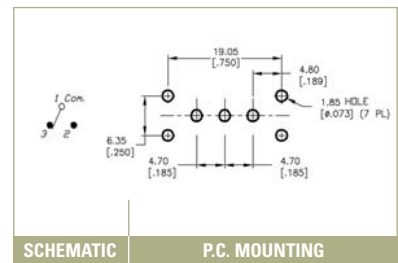
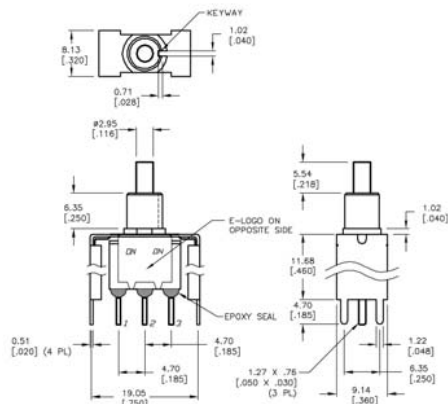
DPDT



| Option Code | Dim. 'A'     |
|-------------|--------------|
| VS2         | .460 (11.68) |
| VS3         | .630 (16.00) |

### VS4 or VS5

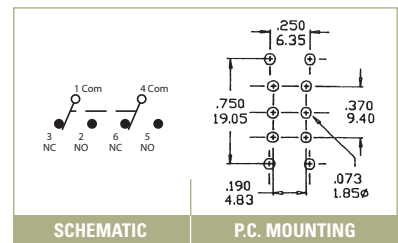
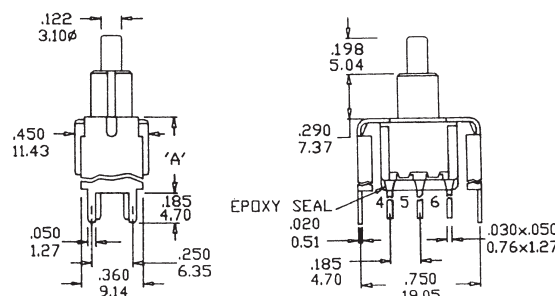
SPDT



| Option Code | Dim. 'A'     |
|-------------|--------------|
| VS4         | .460 (11.68) |
| VS5         | .630 (16.00) |

### VS4 or VS5

DPDT



| Option Code | Dim. 'A'     |
|-------------|--------------|
| VS4         | .460 (11.68) |
| VS5         | .630 (16.00) |

TACT SWITCHES

NAVIGATION SWITCHES

PUSHBUTTON SWITCHES

TOGGLE SWITCHES

ROCKER SWITCHES

SLIDE SWITCHES

SNAP-ACTION SWITCHES

DIP SWITCHES

KEYLOCK SWITCHES

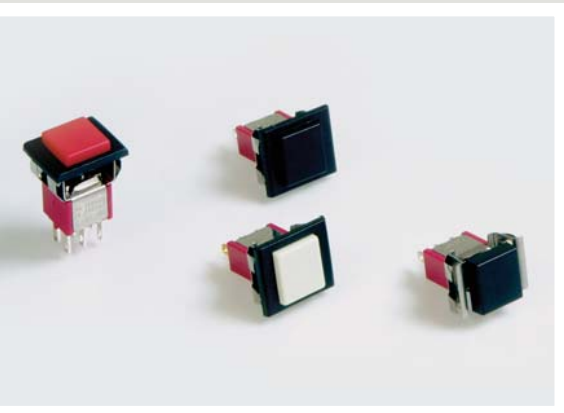
ROTARY SWITCHES

DETECTOR SWITCHES

CAP OPTIONS

# SERIES 700 SWITCHES

## PUSHBUTTON SWITCHES - SNAP-ACTING PANEL MOUNTED



### FEATURES & BENEFITS

- ▶ Snap acting contact design
- ▶ Gold & silver contact options
- ▶ Multiple termination options
- ▶ Snap-in panel mount option

### APPLICATIONS/MARKETS

- ▶ Telecommunications
- ▶ Networking
- ▶ Computers/servers
- ▶ Performance audio
- ▶ Instrumentation
- ▶ Low power on/off designs
- ▶ External hard drives and modems

### SPECIFICATIONS

|                        |   |
|------------------------|---|
| Contact Rating:        | 1A @ 250 VDC<br>3A @ 120 VDC or 28VDC   |
| Life Expectancy:       | 50,000 cycles typical   |
| Contact Resistance:    | 10mΩ max., typical @ 2-4 VDC,<br>100mA for both silver and gold plated contacts |
| Insulation Resistance: | 1,000 MΩ min.   |
| Dielectric Strength:   | 1,000 V rms at sea level  |
| Actuation Force:       | 200 ± 50 gf   |
| Operating Temperature: | -30°C to +85°C  |

### MATERIALS

|           |  |
|-----------|--|
| Case:     | Diallyl Phthalate (DAP)                      |
| Plunger:  | Glass filled nylon or glass filled polyester |
| Bushing:  | Nickel plated brass                          |
| Housing:  | Stainless steel                              |
| Contacts: | Silver or Gold plated copper alloy           |



### HOW TO ORDER

| SERIES | MODEL NO.  | TERMINATION | CONTACT MATERIAL       | SEAL                                 | CAP/FRAME  | CAP COLOR   | FRAME COLOR   |
|--------|------------|-------------|------------------------|--------------------------------------|------------|---|---|
| 700    | SP7<br>DP7 | M1<br>M3    | Q = Silver<br>R = Gold | E = Epoxy Sealed at Base of Terminal | AP1<br>AP2 | BLK = Black<br>RED = Red<br>GRY = Grey<br>WHT = White | BLK = Black<br>RED = Red<br>GRY = Grey<br>WHT = White |



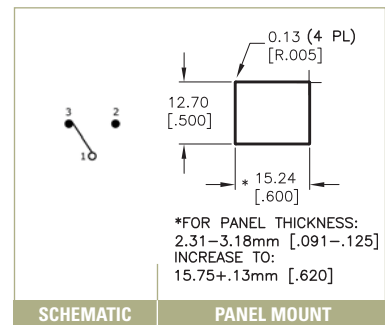
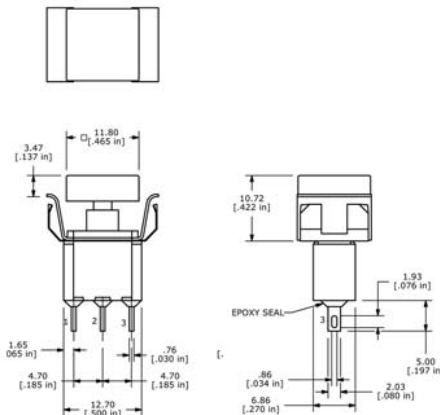
### Example Ordering Number

700-DP7-M1-Q-E-AP1-RED-RED

Specifications subject to change without notice.

## AP1

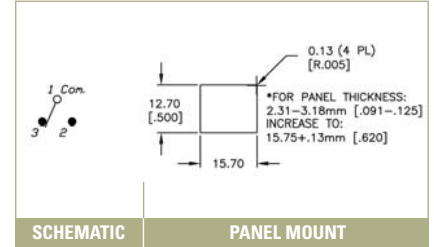
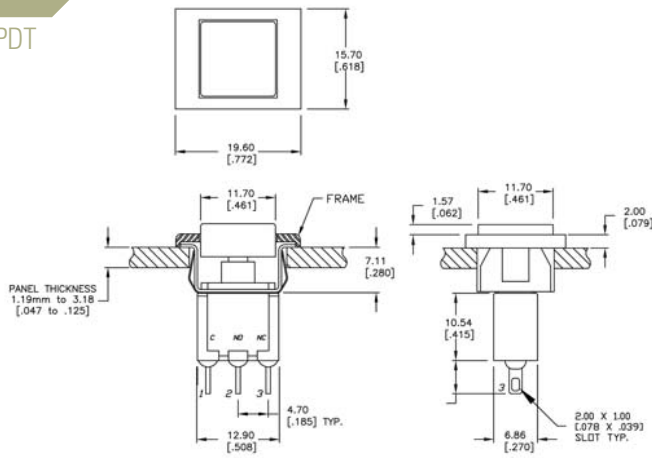
### CAP/FRAME SPDT





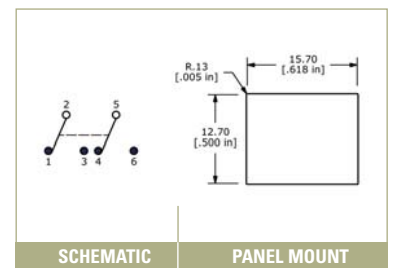
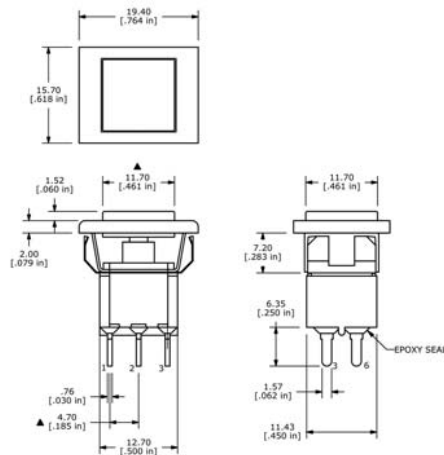
### AP2

#### CAP/FRAME SPDT



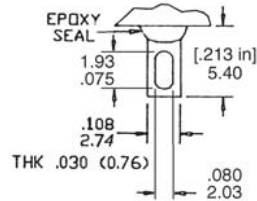
### AP2

#### CAP/FRAME DPDT

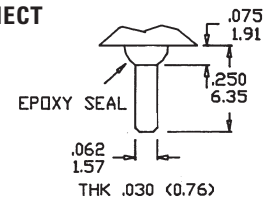


### TERMINATION OPTIONS FOR PANEL MOUNT

#### M1 SOLDER LUG



#### M3 QUICK CONNECT



### CONTACT MATERIAL OPTIONS

#### Q

|                 |  |
|-----------------|--|
| Fixed Terminal: | Silver plated copper alloy                   |
| Moving Contact: | Silver plated copper alloy                   |
| Rating:         | 1 AMP @ 250 VAC<br>3 AMP @ 125 VAC or 28 VDC |

#### R

|                 |  |
|-----------------|--|
| Fixed Terminal: | Copper alloy with gold plate over nickel plate |
| Moving Contact: | Copper alloy with gold plate over nickel plate |
| Rating:         | 0.4 VA max. @ 20 VAC                           |