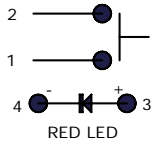
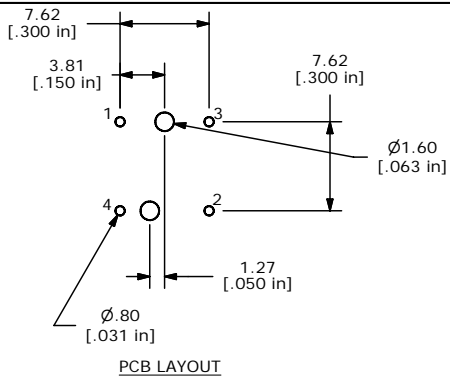


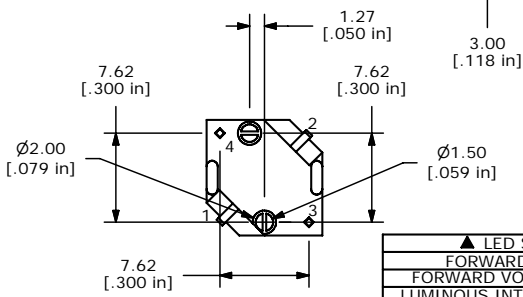
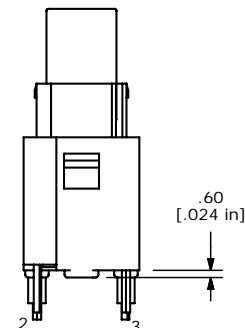
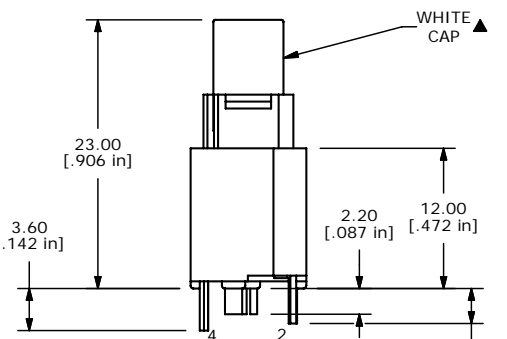
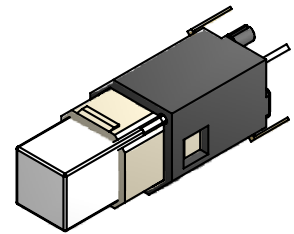
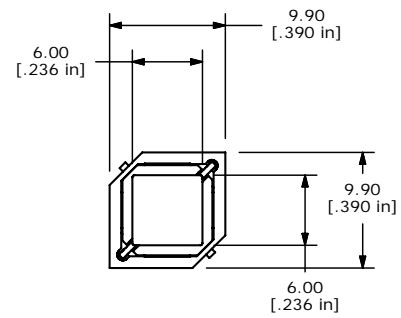
SHEET 1 OF 1



▲ CIRCUIT: SPST OFF (ON)



PCB LAYOUT



- NOTES:
1. ALL DIMENSIONS IN MM [INCH]
 2. GENERAL TOLERANCE: X.X=±0.4
X.XX=±0.25
 3. RATING: 20VDC @ 1mA or 5VDC @ 5mA
 4. CONTACT RESISTANCE: 200Ω MAX. @ 5VDC, 1mA
 5. INSULATION RESISTANCE: 100MΩ MIN. @ 100VDC.
 - ▲ 6. OPERATING FORCE: 125±35gf
 7. TRAVEL: 1.3 +/-0.3 mm
 8. OPERATING TEMPERATURE: -20°C TO 70°C
 9. OPERATING LIFE: 300,000 CYCLES
 - ▲ 10. LED: RED
 11. ▲ DENOTES CRITICAL PARAMETERS
 12. 2002/95/EC (ROHS) COMPLIANT

▲ LED SPECS		UNITS	RED
FORWARD CURRENT	20mA	mA	20mA NOMINAL
FORWARD VOLTAGE @20mA	1.5 TYP. 2.4 MAX.	V	
LUMINOUS INTENSITY @ 20mA	120 TYP.	mcd	



TITLE LP2S1WHTRED-N				
SCALE	DATE	DR	DWG	REV
2 = 1	8/17/2009	RC	B250000	A

A	NEW RELEASE	8/31/09	rc
REV	DESCRIPTION	DATE	BY
THE INFORMATION CONTAINED IN THIS DOCUMENT IS PROPRIETARY TO E-SWITCH AND IS NOT TO BE COPIED OR TRANSFERRED			