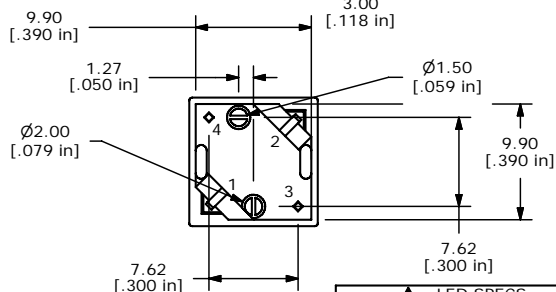
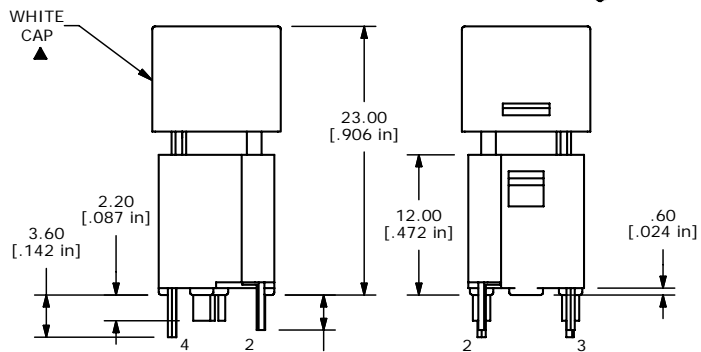
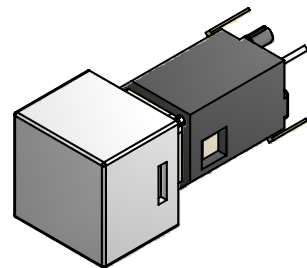
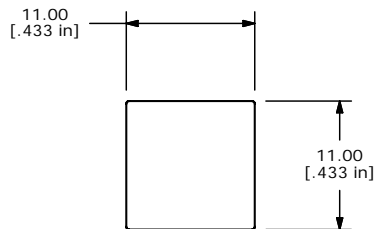
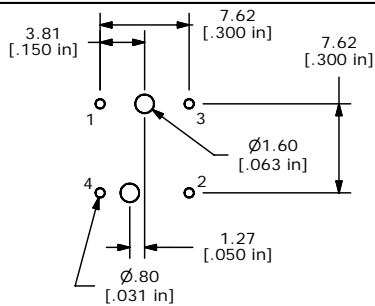
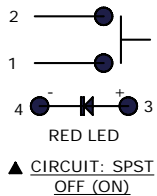


SHEET 1 OF 1



- NOTES:
1. ALL DIMENSIONS IN MM [INCH]
 2. GENERAL TOLERANCE: X.X=±0.4
X.XX=±0.25
 3. RATING: 20VDC @ 1mA or 5VDC @ 5mA
 4. CONTACT RESISTANCE: 200Ω MAX. @ 5VDC, 1mA
 5. INSULATION RESISTANCE: 100MΩ MIN. @ 100VDC.
 - ▲ 6. OPERATING FORCE: 125±35gf
 7. TRAVEL: 1.3 +/-0.3 mm
 8. OPERATING TEMPERATURE: -20°C TO 70°C
 9. OPERATING LIFE: 300,000 CYCLES
 - ▲ 10. LED: RED
 11. ▲ DENOTES CRITICAL PARAMETERS
 12. 2002/95/EC (ROHS) COMPLIANT

▲ LED SPECS	UNITS	RED
FORWARD CURRENT	mA	20 NOMINAL
FORWARD VOLTAGE @20mA	V	1.50 TYP. 2.40 MAX.
LUMINOUS INTENSITY @ 20mA	mcd	120 TYP.



TITLE LP2S3WHTRED-N

A	18647	New Release	9/14/09	rc
REV	PCR NO	DESCRIPTION	DATE	BY

THE INFORMATION CONTAINED IN THIS DOCUMENT IS PROPRIETARY TO E-SWITCH AND IS NOT TO BE COPIED OR TRANSFERRED

SCALE	DATE	DR	DWG	REV
2=1	8/25/2009	rc	B250006	A