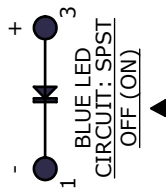
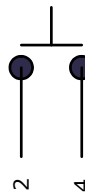


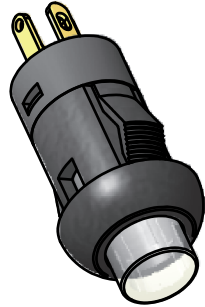
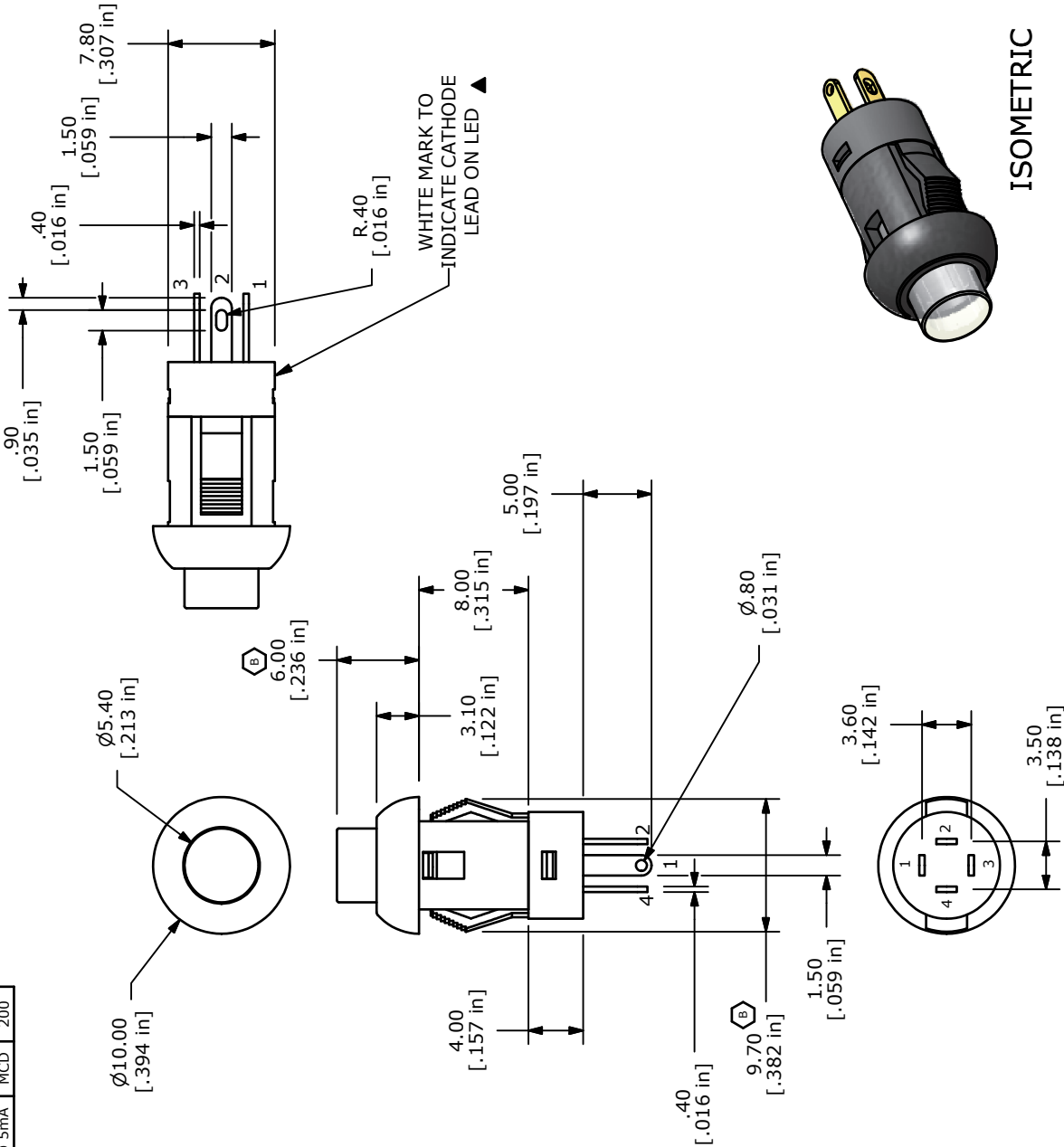
▲ LED SPECS	UNITS	BLUE
FORWARD CURRENT	mA	20
FORWARD VOLTAGE @20mA	V	3.4-4.0
LUMINOUS INTENSITY @ 5mA	MCD	200



T	D
1.0-2.0	8.0-8.2
2.0-2.5	8.2-8.4
2.5-3.0	8.4-8.6



1 BLUE LED  
CIRCUIT: SPST  
OFF (ON) ▲



ISOMETRIC

- NOTES:
1. ALL DIMENSIONS IN MM [INCH]
  2. GENERAL TOLERANCE: X.X=±0.4  
X.XX=±0.25
  3. RATING: 30VDC @ 100mA
  4. CONTACT RESISTANCE: 50mΩ MAX.
  5. INSULATION RESISTANCE: 100MΩ MIN@500VDC.
  6. OPERATING FORCE: 250±100gf
  7. TRAVEL: 1.8±0.3mm
  8. OPERATING TEMPERATURE: -40°C TO 85°C
  9. OPERATING LIFE: 50,000 CYCLES
  - ▲ 10. LED: BLUE
  - 1.1. ▲ DENOTES CRITICAL PARAMETERS
  12. 2002/95/EC (ROHS) COMPLIANT

		TITLE LP10A1AB	
B	19582	CHANGED DIMS was 9.6 & 6.1	BGL
A	18259	New Release	rc
REV	PCR NO	DESCRIPTION	DATE BY
THE INFORMATION CONTAINED IN THIS DOCUMENT IS PROPRIETARY TO E-SWITCH AND IS NOT TO BE COPIED OR TRANSFERRED			
SCALE	2=1	DATE	7/10/2008
DR	rc	DWG	B200201
REV	B		